



ONTAP® 9

# iSCSI Configuration for Red Hat® Enterprise Linux® Express Guide

January 2021 | 215-11192\_2021-01\_en-us  
doccomments@netapp.com

Updated for ONTAP 9.7 and earlier

 **NetApp®**

# Contents

- Deciding whether to use the iSCSI Configuration for Red Hat Enterprise Linux Express Guide.....3**
  
- iSCSI configuration and provisioning workflow.....4**
  - Verifying that the iSCSI configuration is supported .....4
  - Completing the iSCSI configuration worksheet..... 5
  - Installing Linux Unified Host Utilities and optimizing I/O performance..... 7
  - Recording the iSCSI node name.....7
  - Setting the iSCSI replacement timeout value..... 8
  - Starting the iSCSI service.....8
  - Configuring DM-Multipath..... 9
  - Creating an aggregate..... 10
  - Deciding where to provision the volume..... 10
    - Verifying that the iSCSI service is running on an existing SVM..... 11
    - Creating a LUN.....12
    - Configuring iSCSI on an existing SVM..... 13
    - Creating a new SVM.....14
  - Starting the iSCSI sessions with the target..... 16
  - Discovering new SCSI devices (LUNs) and multipath devices.....16
  - Configuring logical volumes on multipath devices and creating a file system..... 17
  - Verifying that the host can write to and read from a multipath device..... 18
  
- Where to find additional information..... 19**
  
- Copyright, trademark, and machine translation..... 20**
  - Copyright..... 20
  - Trademark..... 20
  - Machine translation..... 20

# Deciding whether to use the iSCSI Configuration for Red Hat Enterprise Linux Express Guide

---

This guide describes how to quickly set up the iSCSI service on a storage virtual machine (SVM), provision a LUN, and make the LUN available using an iSCSI initiator on a Red Hat Enterprise Linux server.

This guide is based on the following assumptions:

- You want to use best practices, not explore every available option.
- You do not want to read a lot of conceptual background.
- You want to use System Manager, not the ONTAP command-line interface or an automated scripting tool.

#### *[Cluster management using System Manager](#)*

- You want to use the *legacy* OnCommand System Manager UI for ONTAP 9.7 and earlier releases, not the ONTAP System Manager UI for ONTAP 9.7 and later.

#### *[ONTAP System Manager documentation](#)*

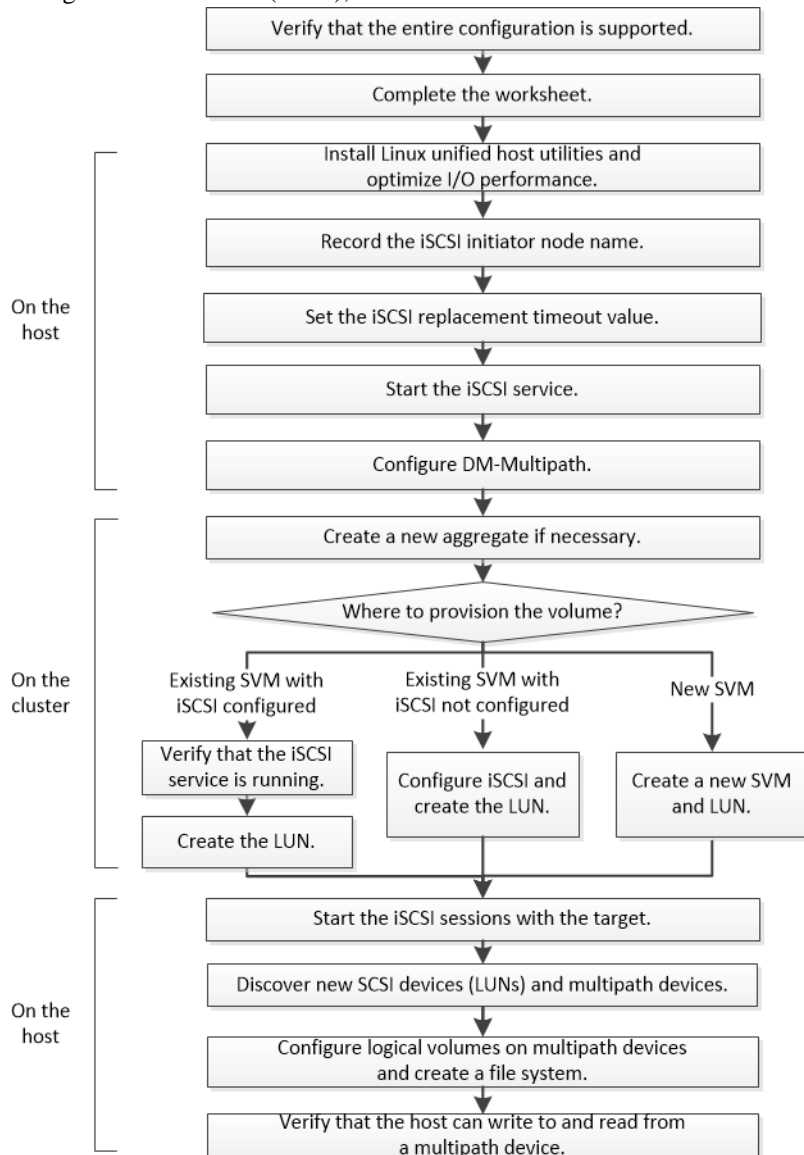
- You are using the iSCSI software initiator on a Red Hat Enterprise Linux host running a supported version of RHEL Series 6.4 or higher.
- Your network uses IPv4 addressing.
- You want to assign addresses to logical interfaces using any of the following methods:
  - Automatically, from a subnet you define
  - Manually, using an address selected from an existing subnet
  - Manually, using an address that will be added to an existing subnet
- You are not configuring iSCSI SAN boot.

If these assumptions are not correct for your situation, you should see the following resources:

- *[SAN administration](#)*
- *[SAN configuration](#)*
- *[Linux Unified Host Utilities 7.1 Installation Guide](#)*
- *[NetApp Documentation: OnCommand Workflow Automation \(current releases\)](#)*  
OnCommand Workflow Automation enables you to run prepackaged workflows that automate management tasks such as the workflows described in Express Guides.

## iSCSI configuration and provisioning workflow

When you make storage available to a host using iSCSI, you provision a volume and LUN on the storage virtual machine (SVM), and then connect to the LUN from the host.



### Verifying that the iSCSI configuration is supported

For reliable operation, you must verify that the entire iSCSI configuration is supported.

#### Steps

1. Go to the Interoperability Matrix to verify that you have a supported combination of the following components:
  - ONTAP software
  - Host computer CPU architecture (for standard rack servers)
  - Specific processor blade model (for blade servers)
  - Storage protocol (iSCSI)

- Linux operating system version
  - DM-Multipath package
  - Linux Unified Host Utilities
2. Click the configuration name for the selected configuration.  
 Details for that configuration are displayed in the Configuration Details window.
  3. Review the information in the following tabs:
    - Notes  
 Lists important alerts and information that are specific to your configuration.  
 Review the alerts to identify the packages that are required for your operating system.
    - Policies and Guidelines  
 Provides general guidelines for all SAN configurations.

**Related information**

[NetApp Interoperability Matrix Tool](#)

## Completing the iSCSI configuration worksheet

You require iSCSI identifiers, network addresses, and storage configuration information to perform iSCSI configuration tasks.

**iSCSI identifiers**

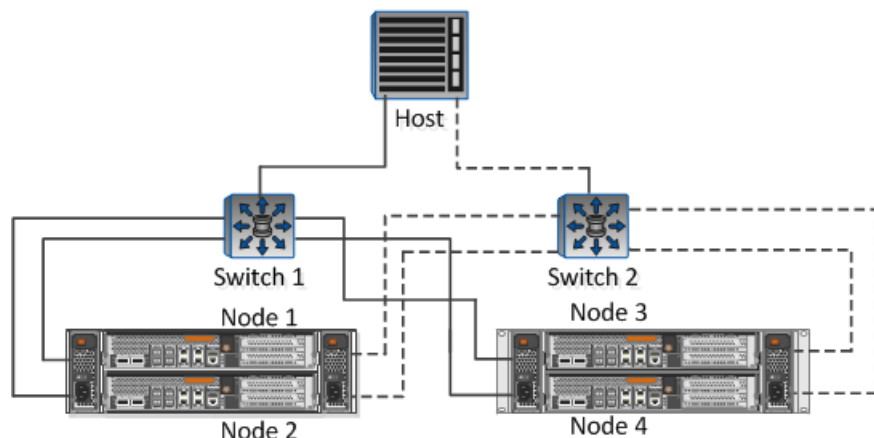
Initiator (host) iSCSI node name (IQN)	
Target alias (optional)	

**Target network addresses**

The storage virtual machine (SVM) is the iSCSI target.

You require a subnet with two IP addresses for iSCSI data LIFs for each node in the cluster. There should be two separate networks for high availability. The specific IP addresses are assigned by ONTAP when you create the LIFs as part of creating the SVM.

If possible, separate iSCSI traffic on separate physical networks or on VLANs.



Subnet for LIFs: \_\_\_\_\_

Node or LIF with port to switch	IP address	Network mask	Gateway	VLAN ID	Home port
Node 1 / LIF to switch 1					
Node 2 / LIF to switch 1					
Node 3 / LIF to switch 1					
Node 4 / LIF to switch 1					
Node 1 / LIF to switch 2					
Node 2 / LIF to switch 2					
Node 3 / LIF to switch 2					
Node 4 / LIF to switch 2					

**Storage configuration**

If the aggregate and SVM are already created, record their names here; otherwise, you can create them as required:

Node to own LUN	
Aggregate name	
SVM name	

**LUN information**

LUN size	
LUN name (optional)	
LUN description (optional)	

**SVM information**

If you are not using an existing SVM, you require the following information to create a new one:

SVM name	
SVM IPspace	
Aggregate for SVM root volume	
SVM user name (optional)	
SVM password (optional)	

SVM management LIF (optional)	Subnet:
	IP address:
	Network mask:
	Gateway:
	Home node:
	Home port:

## Installing Linux Unified Host Utilities and optimizing I/O performance

Linux Unified Host Utilities software includes the `sanlun` utility, a NetApp LUN reporting tool that you can use to display information about storage cluster nodes. You must also enable the correct server profile on the Linux host to optimize NetApp storage performance.

### Before you begin

You must have identified the supported Linux Unified Host Utilities version for your configuration by using the Interoperability Matrix. You must also have the `tuned` package, which is part of your Linux OS distribution and contains the `tuned-adm` command, which you use to set the server profile on the host.

### Steps

1. Download the supported Linux Unified Host Utilities version from the NetApp Support Site.

[NetApp Downloads: Software](#)

2. Install Linux Unified Host Utilities software by following the instructions in the installation documentation.
3. If the `tuned` package is not installed, enter the following command:

```
yum install tuned
```

4. For a physical host, ensure that you have set the `enterprise-storage` profile:

```
tuned-adm profile enterprise-storage
```

5. For a virtual host, ensure that you have set the `virtual-guest` profile:

```
tuned-adm profile virtual-guest
```

[Linux Unified Host Utilities 7.1 Installation Guide](#)

## Recording the iSCSI node name

You must record the iSCSI initiator node name on the Linux host so that you have it when you configure the storage system.

### Steps

1. Use a text editor to open the `/etc/iscsi/initiatorname.iscsi` file containing the node names.
2. Write down the node name or copy it to a text file.  
The iSCSI initiator node name looks something like this:

```
iqn.1994-05.com.redhat:127
```

## Setting the iSCSI replacement timeout value

To support multipathing, you must modify the replacement timeout value in the iSCSI configuration file.

### Step

Change the replacement timeout value in the `/etc/iscsi/iscsid.conf` file from the default of 120 to 5.

The replacement timeout value looks like the following in `iscsid.conf`:

```
node.session.timeo.replacement_timeout = 5
```

## Starting the iSCSI service

After you edit the iSCSI configuration file, you must start the iSCSI service so that the host can discover the targets and access LUNs. If the iSCSI service is running, you must restart it.

### Step

Start the iSCSI service at the Linux host command prompt:

If you are using...	Enter...
Red Hat Enterprise Linux 7 series and SUSE Linux Enterprise 12 series	<code>systemctl start iscsid</code>
Red Hat Enterprise Linux 6 series	<code>service iscsid force-start</code>
<b>Note:</b> You must execute this command the first time you start the iSCSI service on a host running Red Hat Enterprise Linux 6 series and Oracle Linux 6 series. If you execute <code>/etc/init.d/iscsi start</code> without previously executing <code>service iscsid force-start</code> , you get an error message.	
Red Hat Enterprise Linux 5 or 4 series and Oracle Linux 5 series, Red Hat Enterprise Virtualization, Oracle Linux, and Oracle VM	<code>/etc/init.d/iscsi start</code>
SUSE Linux Enterprise Server 10 or 11 series	<code>/etc/init.d/open-iscsi start</code>

Citrix discourages the use of the `iscsiadm` tool. The native XAPI stack accomplishes the tasks of starting and stopping the `iscsi` service, automatic login on boot, and other iSCSI operations.



## Configuring DM-Multipath

DM-Multipath manages multiple paths between the Linux host and the storage cluster. Configuring DM-Multipath on a LUN, which appears to the Linux host as a SCSI device, enables your Linux host to access its LUN on the storage cluster if a path or component fails.

### Before you begin

You must have identified the required version of DM-Multipath from the Interoperability Matrix tool.

#### *NetApp Interoperability Matrix Tool*

**Note:** The recommended approach is that you configure two paths per node into each fabric or Ethernet network. This allows a path to fail without the node switching over to its partner. Using link aggregation (LAG) for the physical ports is not recommended with a Windows-based operating system.

### Steps

1. Edit the `/etc/multipath.conf` file as follows:

- a. Determine whether there are non-NetApp SCSI devices to exclude (blacklist).

These are devices that are not displayed when you enter the `sanlun lun show` command.

- If there are non-NetApp SCSI devices to exclude, enter the worldwide identifier (WWID) for the devices in the blacklist section of the `multipath.conf` file. To display the WWID of a non-NetApp SCSI device, enter the following command on the device that you want to exclude, where `SCSI_device_name` is a device that you specify:

```
/lib/udev/scsi_id -gud /dev/SCSI_device_name
```

For example, if `/dev/sda` is the non-NetApp SCSI device that you want to exclude, you would enter the following:

```
/lib/udev/scsi_id -gud /dev/sda
```

This displays the WWID of the device, which you can copy and paste in the `multipath.conf` file.

In the following example showing the blacklist section of the `multipath.conf` file, the non-NetApp SCSI device with WWID `3600508e000000000753250f933cc4606` is excluded:

```
blacklist {  
    wwid          3600508e000000000753250f933cc4606  
    devnode      "^(ram|raw|loop|fd|md|dm-|sr|scd|st)[0-9]*"  
    devnode      "^hd[a-z]"  
    devnode      "^cciss.*"  
}
```

- If there are no devices to exclude, remove the `wwid` line from the `multipath.conf` file.
- b. Enable NetApp recommended DM-Multipath settings by appending the following string to the end of the kernel line in the boot loader:

```
rdloaddriver=scsi_dh_alua
```

2. Start the DM-Multipath daemon:

```
/etc/init.d/multipathd start
```

3. Add the multipath service to the boot sequence so that the multipath daemon always starts during system boot:

```
chkconfig multipathd on
```

4. Reboot the Linux host.
5. Verify that the `rdloaderdriver` setting appears in the output when you run `cat /proc/cmdline`.

The `rdloaderdriver` setting appears as one of several boot options that are passed to the kernel:

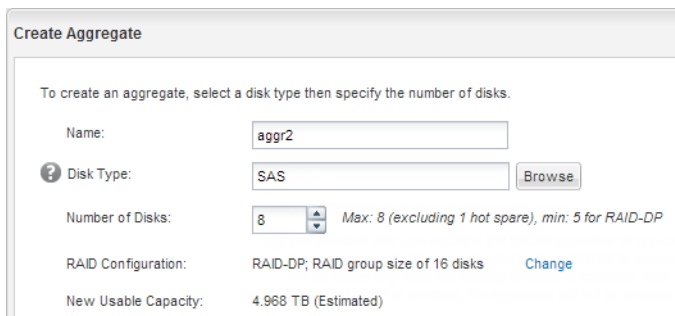
```
# cat /proc/cmdline
ro root=/dev/mapper/vg_ibmx3650210104-lv_root rd_NO_LUKS LANG=en_US.UTF-8 rd_NO_MD
rd_LVM_LV=vg_ibmx3650210104/lv_root SYSFONT=latacyrheb-sun16
rd_LVM_LV=vg_ibmx3650210104/lv_swap crashkernel=129M@0M KEYBOARDTYPE=pc KEYTABLE=us
rd_NO_DM rhgb quiet rdloaderdriver=scsi_dh_alua
```

## Creating an aggregate

If you do not want to use an existing aggregate, you can create a new aggregate to provide physical storage to the volume which you are provisioning.

### Steps

1. Enter the URL `https://IP-address-of-cluster-management-LIF` in a web browser and log in to System Manager using your cluster administrator credential.
2. Navigate to the **Aggregates** window.
3. Click **Create**.
4. Follow the instructions on the screen to create the aggregate using the default RAID-DP configuration, and then click **Create**.



### Result

The aggregate is created with the specified configuration and added to the list of aggregates in the Aggregates window.

## Deciding where to provision the volume

Before you provision a volume to contain your LUNs, you need to decide whether to add the volume to an existing storage virtual machine (SVM) or to create a new SVM for the volume. You might also need to configure iSCSI on an existing SVM.

### About this task

If an existing SVM is already configured with the needed protocols and has LIFs that can be accessed from the host, it is easier to use the existing SVM.

You can create a new SVM to separate data or administration from other users of the storage cluster. There is no advantage to using separate SVMs just to separate different protocols.

### Choices

- If you want to provision volumes on an SVM that is already configured for iSCSI, you must verify that the iSCSI service is running and then create a LUN on the SVM.

*Verifying that the iSCSI service is running on an existing SVM* on page 11

*Creating a LUN* on page 12

- If you want to provision volumes on an existing SVM that has iSCSI enabled but not configured, configure iSCSI on the existing SVM.

*Configuring iSCSI on an existing SVM*

This is the case when you followed another Express Guide to create the SVM while configuring a different protocol.

- If you want to provision volumes on a new SVM, create the SVM.

*Creating a new SVM*

## Verifying that the iSCSI service is running on an existing SVM

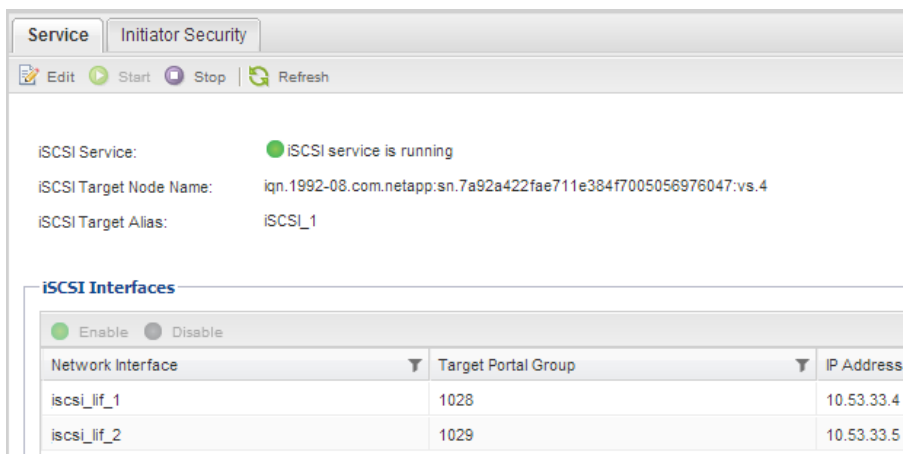
If you choose to use an existing storage virtual machine (SVM), you must verify that the iSCSI service is running on the SVM.

### Before you begin

You must have selected an existing SVM on which you plan to create a new LUN.

### Steps

1. Navigate to the **SVMs** window.
2. Click the **SVM Settings** tab.
3. In the **Protocols** pane, click **iSCSI**.
4. Verify that the iSCSI service is running.



5. Record the iSCSI interfaces listed for the SVM.

### After you finish

If the iSCSI service is not running, start the iSCSI service or create a new SVM.

If there are fewer than two iSCSI interfaces per node, update the iSCSI configuration on the SVM or create a new SVM for iSCSI.

## Creating a LUN

You use the Create LUN wizard to create a LUN. The wizard also creates the igroup and maps the LUN to the igroup, which enables the specified host to access the LUN.

### Before you begin

- There must be an aggregate with enough free space to contain the LUN.
- There must be a storage virtual machine (SVM) with the iSCSI protocol enabled and the appropriate logical interfaces (LIFs) created.
- You must have recorded the iSCSI initiator node name of the host.

LUNs are mapped to a subset of the initiators in the igroup to limit the number of paths from the host to the LUN.

- By default, ONTAP uses Selective LUN Map (SLM) to make the LUN accessible only through paths on the node owning the LUN and its high-availability (HA) partner.
- You still must configure all of the iSCSI LIFs on every node for LUN mobility in case the LUN is moved to another node in the cluster.
- When moving a volume or a LUN, you must modify the SLM reporting-nodes list before moving.

### About this task

If your organization has a naming convention, you should use names for the LUN, volume, and so on that fit your convention. Otherwise, you should accept the default names.

### Steps

1. Navigate to the **LUNs** window.
2. Click **Create**.
3. Browse and select an SVM in which you want to create the LUNs.  
The Create LUN Wizard is displayed.
4. On the **General Properties** page, select the LUN type **Linux** for LUNs used directly by the Linux host.

Leave the **Thin Provisioned** check box unselected.



You can specify the size of the LUN. Storage will be optimized according to the type selected.

Type:

Size:

Thin Provisioned

5. On the **LUN Container** page, select an existing FlexVol volume.  
You must ensure that there is enough space in the volume. If sufficient space is not available in the existing volumes, you can create a new volume.
6. On the **Initiators Mapping** page, click **Add Initiator Group**, enter the required information on the **General** tab, and then on the **Initiators** tab, enter the iSCSI initiator node name of the host that you recorded.
7. Confirm the details, and then click **Finish** to complete the wizard.

### Related information

[System administration](#)

## Configuring iSCSI on an existing SVM

You can configure iSCSI on an existing storage virtual machine (SVM) and create a LUN and its containing volume with a single wizard. The iSCSI protocol must already be enabled but not configured on the SVM. This information is intended for SVMs for which you are configuring multiple protocols, but have not yet configured iSCSI.

### Before you begin

You must have enough network addresses available to create two LIFs for each node.

### About this task

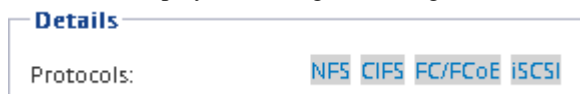
LUNs are mapped to a subset of the initiators in the igroup to limit the number of paths from the host to the LUN.

- ONTAP uses Selective LUN Map (SLM) to make the LUN accessible only through paths on the node owning the LUN and its HA partner.
- You still must configure all of the iSCSI LIFs on every node for LUN mobility in case the LUN is moved to another node in the cluster.
- You must modify the SLM reporting-nodes list before moving a volume or a LUN.

### Steps

1. Navigate to the **SVMs** window.
2. Select the SVM that you want to configure.
3. In the SVM **Details** pane, verify that **iSCSI** is displayed with a gray background, which indicates that the protocol is enabled but not fully configured.

If **iSCSI** is displayed with a green background, the SVM is already configured.



4. Click the **iSCSI** protocol link with the gray background.  
The Configure iSCSI Protocol window is displayed.
5. Configure the iSCSI service and LIFs from the **Configure iSCSI protocol** page:
  - a. Optional: Enter a target alias name.
  - b. Enter **2** in the **LIFs per node** field.  
Two LIFs are required for each node to ensure availability and data mobility.
  - c. Assign IP addresses for the LIFs either with a subnet or without a subnet.
  - d. In the **Provision a LUN for iSCSI storage** area, enter the desired LUN size, host type, and iSCSI initiator name of the host.
  - e. Click **Submit & Close**.

**Configure New Protocol for Storage Virtual Machine (SVM)**

### Configure iSCSI protocol

? Configure LIFs to access the data using iSCSI protocol

#### Data Interface (LIF) Configuration

Target Alias:

LIFs Per Node:  (Minimum: 1, Maximum: 6)

Assign IP Address:   IP Address: 10.10.10.10

Broadcast Domain:

Adapter Type:

Provision a LUN for iSCSI storage (Optional):

LUN Size:

LUN OS Type:

Host Initiator:

Review or modify LIF configuration (Advanced Settings)

6. Review the **Summary** page, record the LIF information, and then click **OK**.

## Creating a new SVM

The storage virtual machine (SVM) provides the iSCSI target through which a host accesses LUNs. When you create the SVM, you also create logical interfaces (LIFs) and the LUN and its containing volume. You can create an SVM to separate the data and administration functions of a user from those of the other users in a cluster.

### Before you begin

- You must have enough network addresses available to create two LIFs for each node.

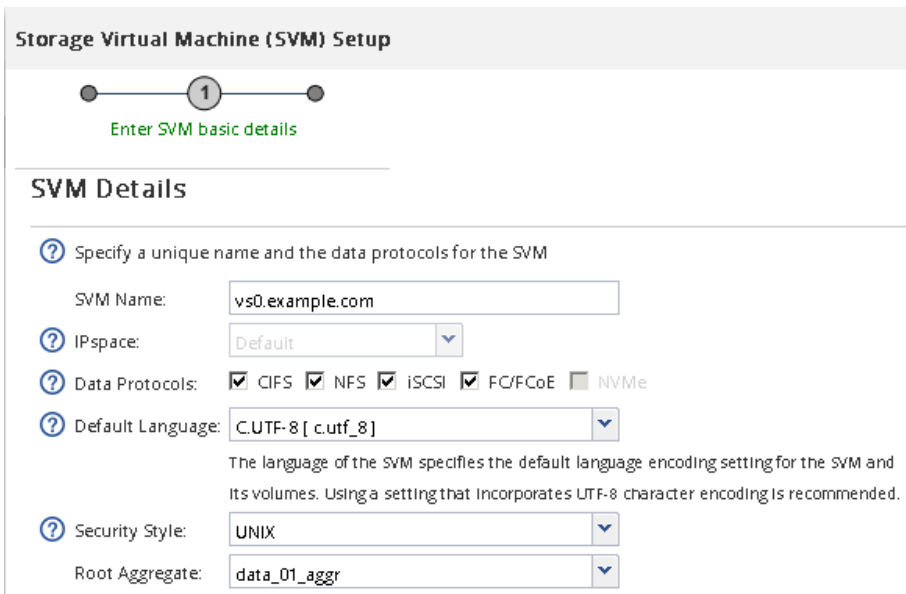
### About this task

LUNs are mapped to a subset of the initiators in the igroup to limit the number of paths from the host to the LUN.

- By default, ONTAP uses Selective LUN Map (SLM) to make the LUN accessible only through paths on the node owning the LUN and its HA partner.
- You still must configure all of the iSCSI LIFs on every node for LUN mobility in case the LUN is moved to another node in the cluster.
- When moving a volume or a LUN, you must modify the SLM-reporting-nodes list before moving.

### Steps

1. Navigate to the **SVMs** window.
2. Click **Create**.
3. In the **Storage Virtual Machine (SVM) Setup** window, create the SVM:



- a. Specify a unique name for the SVM.  
The name must either be a fully qualified domain name (FQDN) or follow another convention that ensures unique names across a cluster.
  - b. Select the IPspace that the SVM will belong to.  
If the cluster does not use multiple IPspaces, the "Default" IPspace is used.
  - c. Keep the default volume type selection.  
Only FlexVol volumes are supported with SAN protocols.
  - d. Select all of the protocols that you have licenses for and that you might use on the SVM, even if you do not want to configure all of the protocols immediately.  
Selecting both NFS and CIFS when you create the SVM enables these two protocols to share the same LIFs. Adding these protocols later does not allow them to share LIFs.  
If CIFS is one of the protocols you selected, then the security style is set to NTFS. Otherwise, the security style is set to UNIX.
  - e. Keep the default language setting C.UTF-8.
  - f. Select the desired root aggregate to contain the SVM root volume.  
The aggregate for the data volume is selected separately in a later step.
  - g. Click **Submit & Continue**.  
The SVM is created, but protocols are not yet configured.
4. If the **Configure CIFS/NFS protocol** page appears because you enabled CIFS or NFS, click **Skip** and then configure CIFS or NFS later.
  5. Configure the iSCSI service and create LIFs, and the LUN and its containing volume from the **Configure iSCSI protocol** page:
    - a. Optional: Enter a target alias name.
    - b. Assign IP address for the LIFs either by using a subnet or without a subnet.
    - c. Enter **2** in the **LIFs per node** field.  
Two LIFs are required for each node to ensure availability and data mobility.
    - d. In the **Provision a LUN for iSCSI storage** area, enter the desired LUN size, host type, and iSCSI initiator name of the host.
    - e. Click **Submit & Continue**.

6. If the **Configure FC/FCoE protocol** page appears because you enabled FC, click **Skip** and then configure FC later.
7. When the **SVM Administration** appears, configure or defer configuring a separate administrator for this SVM:
  - Click **Skip** and configure an administrator later if desired.
  - Enter the requested information, and then click **Submit & Continue**.
8. Review the **Summary** page, record the LIF information, and then click **OK**.

## Starting the iSCSI sessions with the target

The Linux host must have an iSCSI connection with each node (target) in the storage cluster. You establish the sessions from the host.

### About this task

In ONTAP, the iSCSI host must have paths to each node in the cluster. DM-Multipath selects the best paths to use. If paths fail, DM-Multipath selects alternate paths.

### Steps

1. Start the iSCSI service from the Linux host command prompt:

```
service iscsid force-start
```
2. Discover the iSCSI target:

```
iscsiadm --mode discovery --op update --type sendtargets --portal targetIP
```

The IP address of each discovered target displays on a separate line.
3. Establish iSCSI sessions by logging in to each target:

```
iscsiadm --mode node -l all
```
4. You can view a list of the active iSCSI sessions:

```
iscsiadm --mode session
```

## Discovering new SCSI devices (LUNs) and multipath devices

LUNs on the storage cluster appear to the Linux host as SCSI devices, which are I/O paths that DM-Multipath aggregates into a new device, called a multipath device. The host does not



automatically discover new SCSI devices (LUNs) that you add to your system. You must manually rescan them to discover them.

### Before you begin

You must have a copy of the `rescan` script, which is in the `sg3_utils` package that is part of your Linux OS distribution.

### Steps

1. Discover new SCSI devices (LUNs) and create the corresponding multipath devices for the LUNs:

```
/usr/bin/rescan-scsi-bus.sh
```

2. Verify DM-Multipath configuration:

```
multipath -ll
```

This displays the following type of output, listing the recommended settings for each NetApp LUN:

```
3600a0980324666546e2b443251655177 dm-2 NETAPP,LUN C-Mode
size=10G features='4 queue_if_no_path pg_init_retries 50 retain_attached_hw_handle'
hwhandler='1 alua' wp=rw
|--+ policy='round-robin 0' prio=50 status=active
|  |-- 0:0:1:0 sdb 8:16 active ready running
|  |-- 0:0:0:0 sda 8:0 active ready running
|  |-- 1:0:0:0 sde 8:64 active ready running
|  |-- 1:0:1:0 sdf 8:80 active ready running
|--+ policy='round-robin 0' prio=10 status=enabled
|  |-- 0:0:3:0 sdd 8:48 active ready running
|  |-- 1:0:3:0 sdh 8:112 active ready running
|  |-- 0:0:2:0 sdc 8:32 active ready running
|  |-- 1:0:2:0 sdg 8:96 active ready running
```

## Configuring logical volumes on multipath devices and creating a file system

When the Linux host first accesses a new SCSI device (LUN), there is no partition or file system. If you want to use a partitioned multipath device, you must first partition the underlying SCSI devices. You might also want to create logical volumes on multipath devices, and optionally create a file system.

### Before you begin

SCSI devices and corresponding multipath devices must have been discovered by the Linux host.

### About this task

At a minimum DM-Multipath should be configured on the SCSI devices. Any configuration beyond DM-Multipath is optional. The following steps are general guidelines if you wish to perform additional configuration, such as partitioning, configuring logical volumes on multipath devices, and creating a file system. For details on Linux commands, refer to Red Hat Enterprise Linux documentation and man pages.

### Steps

1. To use a partitioned multipath device, first partition the underlying SCSI devices using the `fdisk` or `parted` utility.
2. Create corresponding multipath partitions using the `kpartx` utility.
3. Create logical volumes on corresponding multipath devices using Logical Volume Manager (LVM) commands.
4. Create a file system, such as Ext4 or XFS, on logical volumes or multipath devices using the `mkfs` utility.

## Verifying that the host can write to and read from a multipath device

Before using a multipath device, you should verify that the host can write data to the multipath device and read it back.

### Before you begin

DM-Multipath must be configured on the Linux host for the storage cluster nodes you are accessing.

### About this task

If the storage cluster node that the multipath device corresponds to can be failed over to its partner node, you should verify reading the data while the node is failed over. This verification might not be possible if the storage cluster is in production use.

### Steps

1. Run some I/O on the specified multipath device:

```
dd if=/dev/zero of=<multipath_device_name>
```

2. Verify that I/O is running on the multipath device, specifying the number of seconds to refresh statistics (for example, every two seconds, as shown):

```
iostat 2
```

When I/O is running on the multipath device, you can see the various I/O counters output change dynamically, indicating that I/O is running successfully on the multipath device.

```
avg-cpu:  %user   %nice %system %iowait  %steal   %idle
           0.00    0.00   0.01   0.00   0.00   99.98

Device:            tps    Blk_read/s    Blk_wrtn/s    Blk_read    Blk_wrtn
sda                 0.18         1.34          2.29       832606     1428026
dm-0                0.37         1.29          2.29       801530     1427984
dm-1                0.00         0.00          0.00         2576         0
dm-2                0.00         0.00          0.00         1770         24
sdd                 0.17         1.18         17.87       734688     11128584
sde                 0.17         1.18         18.01       734560     11219016
sdf                 0.00         0.00          0.00         1344         0
sdg                 0.00         0.00          0.00         1344         0
dm-3                0.68         4.71         71.96     2932496     44816008
sdh                 0.17         1.18         18.22       734360     11343920
sdi                 0.17         1.18         17.86       734272     11124488
sdj                 0.00         0.00          0.00         1344         0
sdk                 0.00         0.00          0.00         1344         0
.....
```

3. If possible, run the `takeover` command on the storage cluster node:

```
storage failover takeover -ofnode <node_name>
```

4. Verify that I/O is still running on the multipath device by re-running the `iostat` command.

5. Run the `giveback` command on the storage cluster node:

```
storage failover giveback -ofnode <node_name>
```

6. Check `iostat` output to verify that I/O is still running.

### After you finish

If any of the tests fail, verify that the iSCSI service is running and re-check the DM-Multipath configuration and the iSCSI paths to the multipath device.

## Where to find additional information

---

After you have successfully tested iSCSI, you can perform advanced iSCSI configuration or add SAN or NAS protocols. There are express guides, comprehensive guides, and technical reports to help you achieve these goals.

### **SAN configuration**

All of the following documentation is available:

- [SAN configuration](#)  
Describes supported FC, iSCSI, and FCoE topologies for connecting host computers to storage controllers in clusters.
- [SAN administration](#)  
Describes how to configure and manage the iSCSI, FCoE, and FC protocols for clustered SAN environments, including configuration of LUNs, igroups, and targets.
- [Linux Unified Host Utilities 7.1 Installation Guide](#)  
Describes how to install Linux Unified Host Utilities software and configure DM-Multipath.
- [NetApp Technical Report 4159: Red Hat Enterprise Virtualization 3.1 and NetApp Clustered Data ONTAP Storage Best Practices Guide](#)  
Describes the current best practices for Red Hat virtualized environments.
- Red Hat Enterprise Linux 6 documentation and man pages  
Provides instructions for managing storage devices, file systems, and Linux commands.

### **Additional protocol configuration**

If you want to provide additional SAN or NAS access to the SVM, you can use any of the protocol configuration express guides.

[ONTAP 9 Documentation Center](#)

## Copyright, trademark, and machine translation

---

### Copyright

Copyright © 2021 NetApp, Inc. All rights reserved. Printed in the U.S.

No part of this document covered by copyright may be reproduced in any form or by any means—graphic, electronic, or mechanical, including photocopying, recording, taping, or storage in an electronic retrieval system—without prior written permission of the copyright owner.

Software derived from copyrighted NetApp material is subject to the following license and disclaimer:

THIS SOFTWARE IS PROVIDED BY NETAPP "AS IS" AND WITHOUT ANY EXPRESS OR IMPLIED WARRANTIES, INCLUDING, BUT NOT LIMITED TO, THE IMPLIED WARRANTIES OF MERCHANTABILITY AND FITNESS FOR A PARTICULAR PURPOSE, WHICH ARE HEREBY DISCLAIMED. IN NO EVENT SHALL NETAPP BE LIABLE FOR ANY DIRECT, INDIRECT, INCIDENTAL, SPECIAL, EXEMPLARY, OR CONSEQUENTIAL DAMAGES (INCLUDING, BUT NOT LIMITED TO, PROCUREMENT OF SUBSTITUTE GOODS OR SERVICES; LOSS OF USE, DATA, OR PROFITS; OR BUSINESS INTERRUPTION) HOWEVER CAUSED AND ON ANY THEORY OF LIABILITY, WHETHER IN CONTRACT, STRICT LIABILITY, OR TORT (INCLUDING NEGLIGENCE OR OTHERWISE) ARISING IN ANY WAY OUT OF THE USE OF THIS SOFTWARE, EVEN IF ADVISED OF THE POSSIBILITY OF SUCH DAMAGE.

NetApp reserves the right to change any products described herein at any time, and without notice. NetApp assumes no responsibility or liability arising from the use of products described herein, except as expressly agreed to in writing by NetApp. The use or purchase of this product does not convey a license under any patent rights, trademark rights, or any other intellectual property rights of NetApp.

The product described in this manual may be protected by one or more U.S. patents, foreign patents, or pending applications.

Data contained herein pertains to a commercial item (as defined in FAR 2.101) and is proprietary to NetApp, Inc. The U.S. Government has a non-exclusive, non-transferrable, non-sublicensable, worldwide, limited irrevocable license to use the Data only in connection with and in support of the U.S. Government contract under which the Data was delivered. Except as provided herein, the Data may not be used, disclosed, reproduced, modified, performed, or displayed without the prior written approval of NetApp, Inc. United States Government license rights for the Department of Defense are limited to those rights identified in DFARS clause 252.227-7015(b).

### Trademark

NETAPP, the NETAPP logo, and the marks listed on the NetApp Trademarks page are trademarks of NetApp, Inc. Other company and product names may be trademarks of their respective owners.

<https://www.netapp.com/company/legal/trademarks/>

### Machine translation

See important information about localized content at [netapp.com](https://www.netapp.com).

<https://www.netapp.com/company/legal/machine-translation/>