

SOLIDFIRE

SolidFire Storage Node - Getting Started Guide

What's In The Box

Package Contents:

- 1 – SolidFire storage node
- 1 – Slide Rail Kit
- 1 – Getting Started Guide
- 2 – Power Cables
- 1 – End User License Agreement

NOTE: Begin installing the rails in the allotted space that is closest to the bottom of the rack enclosure.

NOTE: The illustrations in this document do not represent a specific system.

NOTE: The tooled rail mounting configuration requires eight user-supplied screws: #10-32, #12-24, #M5, or #M6. The head diameter of the screws must be less than 10 mm (0.4”).

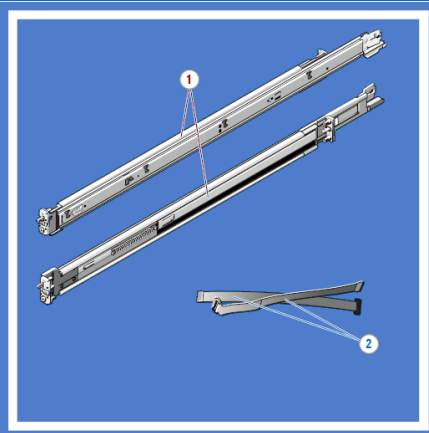
⚠ This is a condensed reference. Read the safety instructions in your Safety, Environmental, and Regulatory Information booklet before you begin.

⚠ Only trained NetApp service technicians are authorized to remove the system cover and access any of the components inside the system. Before you begin, review the safety instructions that came with the system.

1. Identifying the Rail Kit Contents

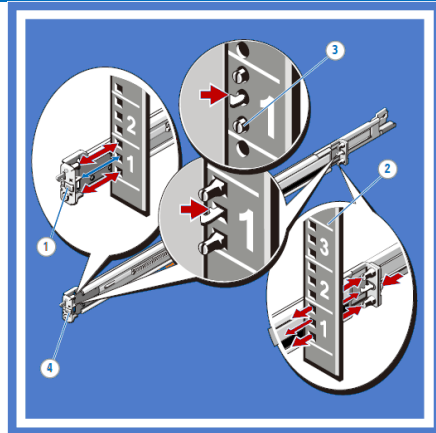
Locate the components for installing the rail kit assembly:

- 1 - Two A7 ReadyRails II sliding rail assemblies
- 2- Two hook and loop straps



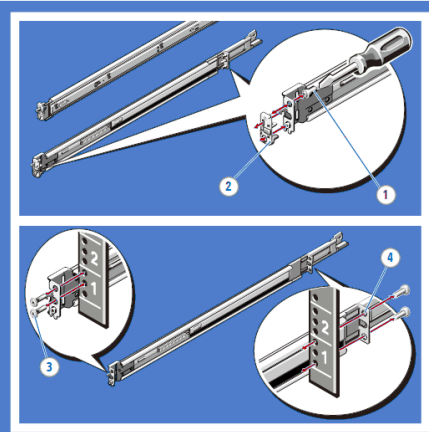
2. Installing and Removing Tool-Less Rails (Square Hole or Round Hole Racks)

- (1) Position the left and right rail end pieces labeled FRONT facing inward and orient each end piece to seat in the holes on the front side of the vertical rack flanges.
- (2) Align each end piece in the bottom and top holes of the desired U spaces.
- (3) Engage the back end of the rail until it fully seats on the vertical rack flange and the latch clicks into place. Repeat these steps to position and seat the front end piece on the vertical rack flange.
- (4) To remove the rails, pull the latch release button on the end piece midpoint and unseat each rail.



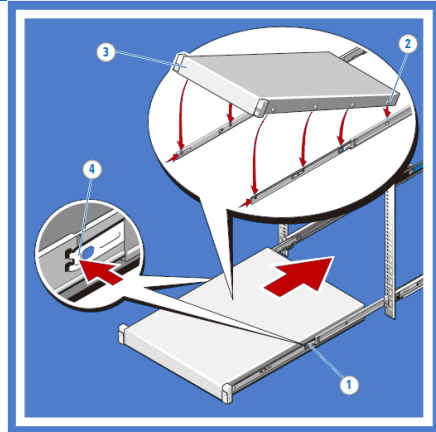
3. Installing and Removing Tooled Rails (Threaded Hole Racks)

- (1) Remove the pins from the front and rear mounting brackets using a flat-tipped screwdriver.
- (2) Pull and rotate the rail latch subassemblies to remove them from the mounting brackets.
- (3) Attach the left and right mounting rails to the front vertical rack flanges using two pairs of screws.
- (4) Slide the left and right back brackets forward against the rear vertical rack flanges and attach them using two pairs of screws.



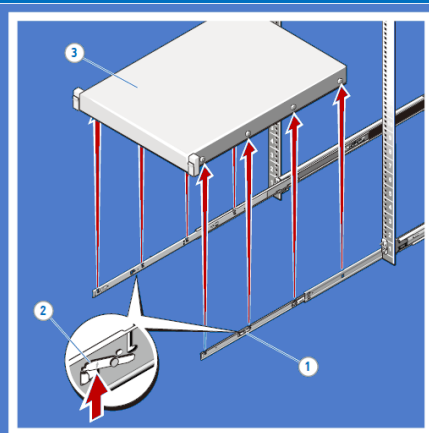
4. Installing the System in a Rack

- (1) Pull the inner slide rails out of the rack until they lock into place.
- (2) Locate the rear rail standoff on each side of the system and lower them into the rear J-slots on the slide assemblies.
- (3) Rotate the system downward until all the rail standoffs are seated in the J-slots.
- (4) Push the system inward until the lock levers click into place. Press the slide-release lock buttons on both rails and slide the system into the rack.



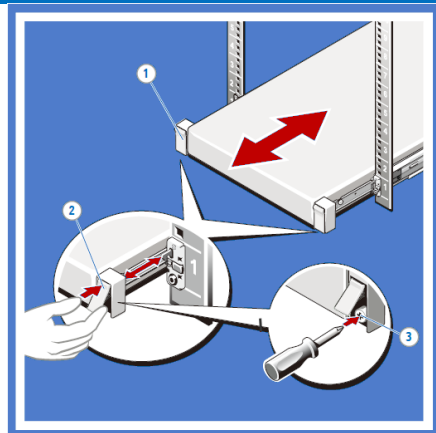
5. Removing the System From the Rack

- (1) Locate the lock levers on the sides of the inner rails.
- (2) Unlock each lever by rotating it up to its release position.
- (3) Grasp the sides of the system firmly and pull it forward until the rail standoffs are at the front of the J-slots. Lift the system up and away from the rack and place it on a level surface.



6. Engaging and Releasing the Slam Latch

- NOTE:** For systems not equipped with slam latches, secure the system using screws, as described in step 3 of this procedure.
- (1) Facing the front, locate the slam latch on either side of the system.
 - (2) The latches engage automatically as the system is pushed into the rack and are released by pulling up on the latches.
 - (3) To secure the system for shipment in the rack or for other unstable environments, locate the hard-mount screw under each latch and tighten each screw with a #2 Phillips screwdriver.

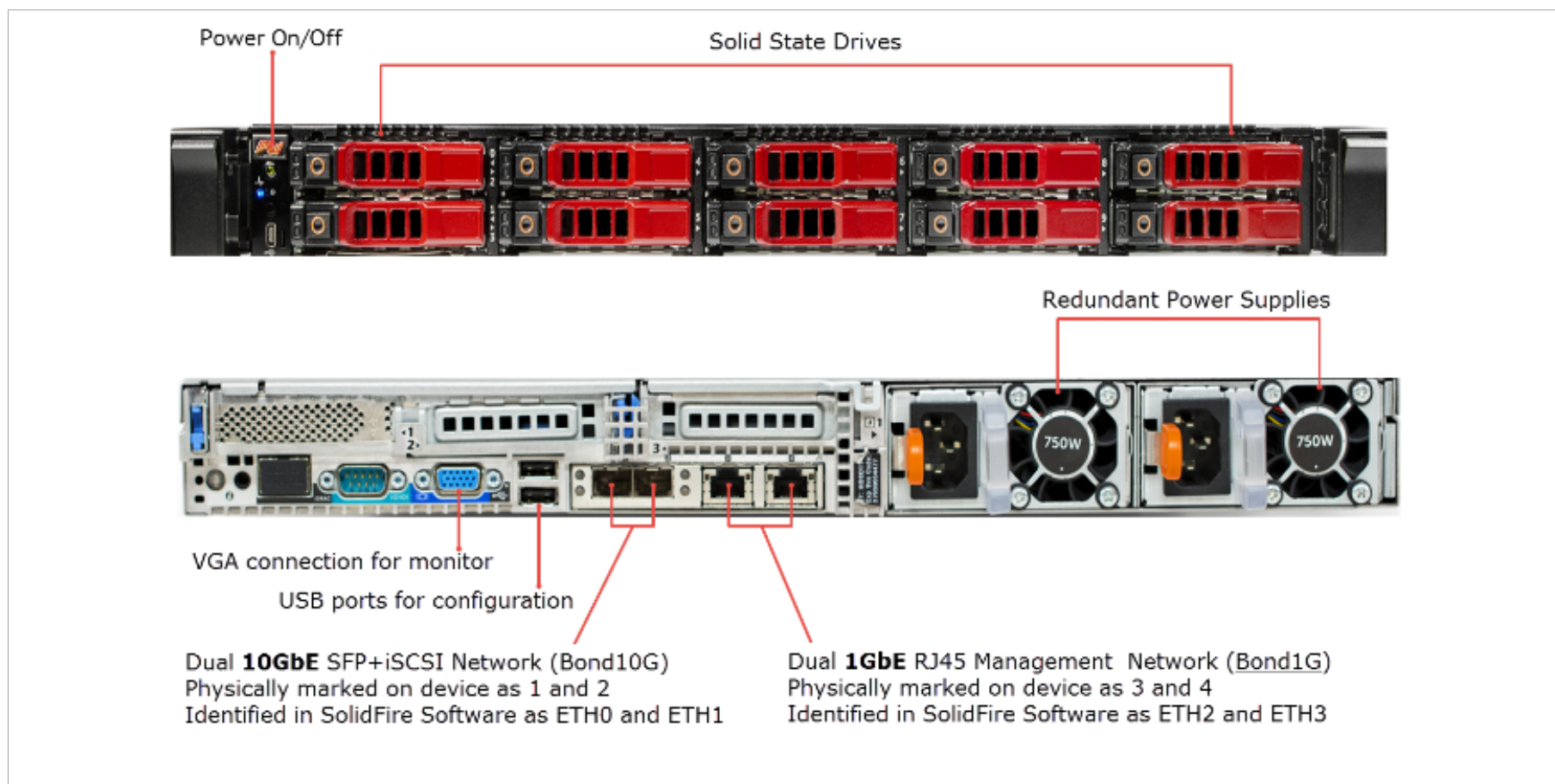


Notes, Cautions and Warnings

- A **NOTE** indicates important information that helps you make better use of your computer.
 A **CAUTION** indicates potential damage to hardware or loss of data if instructions are not followed.
 ⚠ A **WARNING** indicates a potential for property damage, personal injury or death.

7. Operating Specifications

Temperature Range	Operating: 10° C to 35° C (Note: for SF19210, Operating Temp Range is 10° C to 30° C) Shipping and storing: -40° C to 65° C
Relative Humidity	Operating: 10% to 80%, non-condensing Shipping and Storing: 5% to 90%, non-condensing
Maximum Altitude	Operating: 3,000 m Shipping and Storing: 10,000 m
Maximum Vibration	Operating: 0.26 G _{rms} at 5 Hz to 350 Hz for 15 minutes (all operation orientations) Shipping and Storing: 1.87 G _{rms} at 10 Hz to 500 Hz for 15 minutes (all 6 sides)
Maximum Shock	Operating: One shock pulse in the positive z axis of 31 G for 2.6 ms in all operational orientations Shipping and Storing: Six consecutively executed shock pulses in the positive and negative x, y and z axes (one pulse on each side of the system) up to 71 G for up to 2 ms.



A. Connect and Power Up the Storage Node

1. Connect 10GbE and 1GbE network cables and then connect the power cord to the AC Power connection on the back of the storage node.
2. Plug the power cord to a suitable power outlet.

B. Configure the Node and Create a New Cluster

1. Use your browser to open the *SolidFire Element Setup Guide* for your Element version:
 - Version 9: <http://netapp.com/us/media/SolidFire-Element-OS-9-Setup-Guide.pdf>
 - Version 10: <http://netapp.com/us/media/solidfire-element-os-setup-guide.pdf>
2. Complete the procedures in the guide to configure the node and create a new cluster.

C. Getting Help

For SolidFire Support, go to <https://mysupport.netapp.com>.

WARRANTY DISCLAIMER

THE STORAGE SYSTEM AND ANY OTHER MATERIALS, SOFTWARE, DATA AND/OR SERVICES PROVIDED BY NETAPP SOLIDFIRE ARE PROVIDED "AS IS" AND "WITH ALL FAULTS," AND NETAPP SOLIDFIRE EXPRESSLY DISCLAIMS ALL OTHER WARRANTIES OF ANY KIND OR NATURE, WHETHER EXPRESS, IMPLIED OR STATUTORY, INCLUDING, BUT NOT LIMITED TO, ANY WARRANTIES OF OPERABILITY, CONDITION, TITLE, NON-INFRINGEMENT, NON-INTERFERENCE, QUIET ENJOYMENT, VALUE, ACCURACY OF DATA, OR QUALITY, AS WELL AS ANY WARRANTIES OF MERCHANTABILITY, SYSTEM INTEGRATION, WORKMANSHIP, SUITABILITY, FITNESS FOR A PARTICULAR PURPOSE, OR THE ABSENCE OF ANY DEFECTS THEREIN, WHETHER LATENT OR PATENT.

Support Services for NetApp SolidFire Products: In conjunction with its initial purchase of a NetApp SolidFire Storage System, Customer purchases one year of Support and Maintenance Services, and may purchase additional years ("Initial Support and Maintenance"). The Initial Support and Maintenance Term will commence upon delivery.

