

# AFF A800 Systems Installation and Setup Instructions


## Prepare for installation | Stage 1

### Pre-setup


1. Unpack all boxes and inventory contents.
2. Go to the [AFF and FAS System Documentation Center](#) and click AFF A800 systems, and then Installation and Setup:
  - Download and complete the [Cluster Configuration Worksheet](#).
  - Watch the videos listed under [Setup videos](#).

### In the box


#### Data and cluster interconnect cables




**100GbE for cluster interconnect cable**  
Part number X66211A-05 (112-00595), 0.5m;  
X66211-1 (112-00573), 1m



**100GbE for HA interconnect cable**  
Part number X66211A-05 (112-00595), 0.5m




**10GbE for data network**  
Part number X6566B-3-R6 (112-00300), 3m;  
X6566B-5-R6 (112-00301), 5m



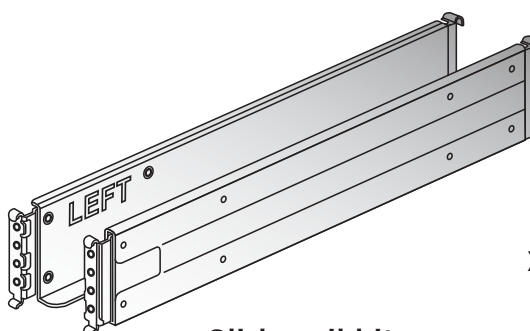
**100GbE for storage cable**  
Part number X66211A-05 (112-00595), 0.5m;  
X66211-1 (112-00573), 1m




**Ethernet cables**



**Power cables**

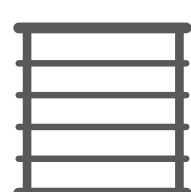


**Slide rail kit**



**FC optic cable**  
Part number X66250-2 (112-00342) 2m;  
X66250-5 (112-00344) 5m; X66250-15 (112-00346) 15m;  
X66250-30 (112-00347) 30m


### You provide



**Rack space**  
4U per chassis



**Screwdriver**



**Additional network cables**  
For connecting your storage to your network switch and Microsoft® Windows® client



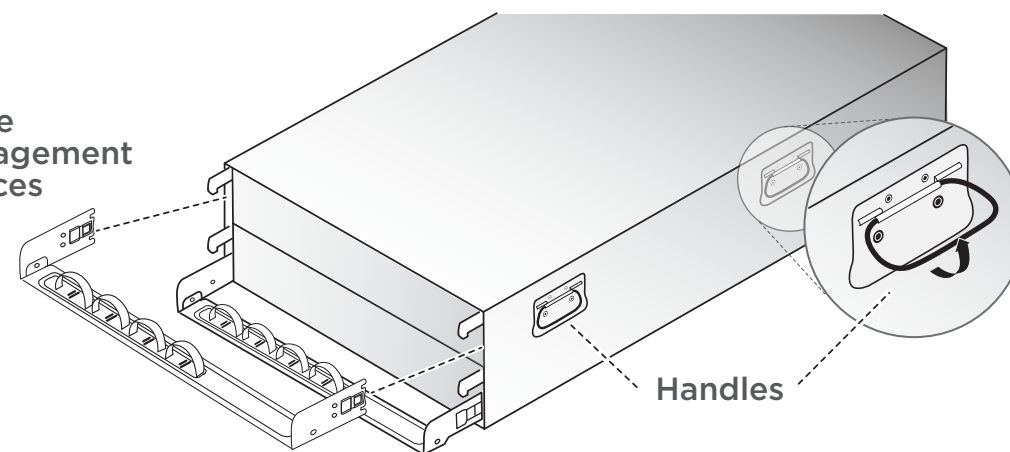
**Client**  
Client with a USB/serial connection and access to a Web browser to configure your storage system

# Install hardware | Stage 2

## 1 Unpack and install the system.

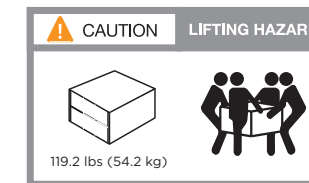
- Install rail kits, as needed, using the installation instructions included with the kit.
- Install the system.
- Attach the cable management devices.
- Place the bezel on the front of the system.

Cable management devices

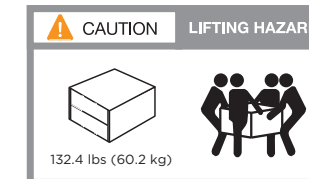


Handles

24 SSDs



48 SSDs



## 2 Cable the cluster (choose option A or B below)

See your network administrator for help connecting to your switches.

Note: As you insert the connector, you should feel it click into place; if you do not feel it click, remove it, turn it around and try again.

 100GbE SFP copper cables

- 1 Connect port e1b to port e1b and port e0b to port e0b.

 100GbE SFP copper cables

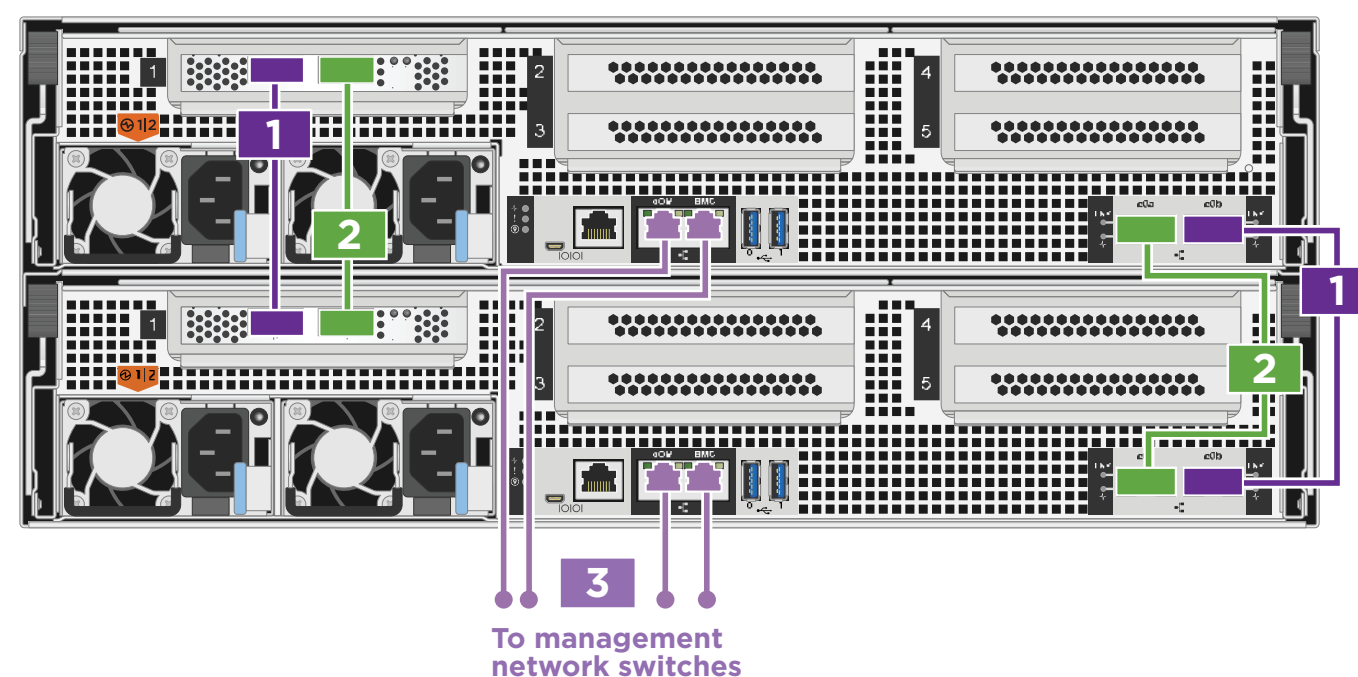
- 2 **OPTION A:** Connect port e1a to port e1a and port e0a to port e0a.  
**OPTION B:** Connect port e1a of each node and port e0a of each node to the cluster interconnect switches.

 Ethernet cables

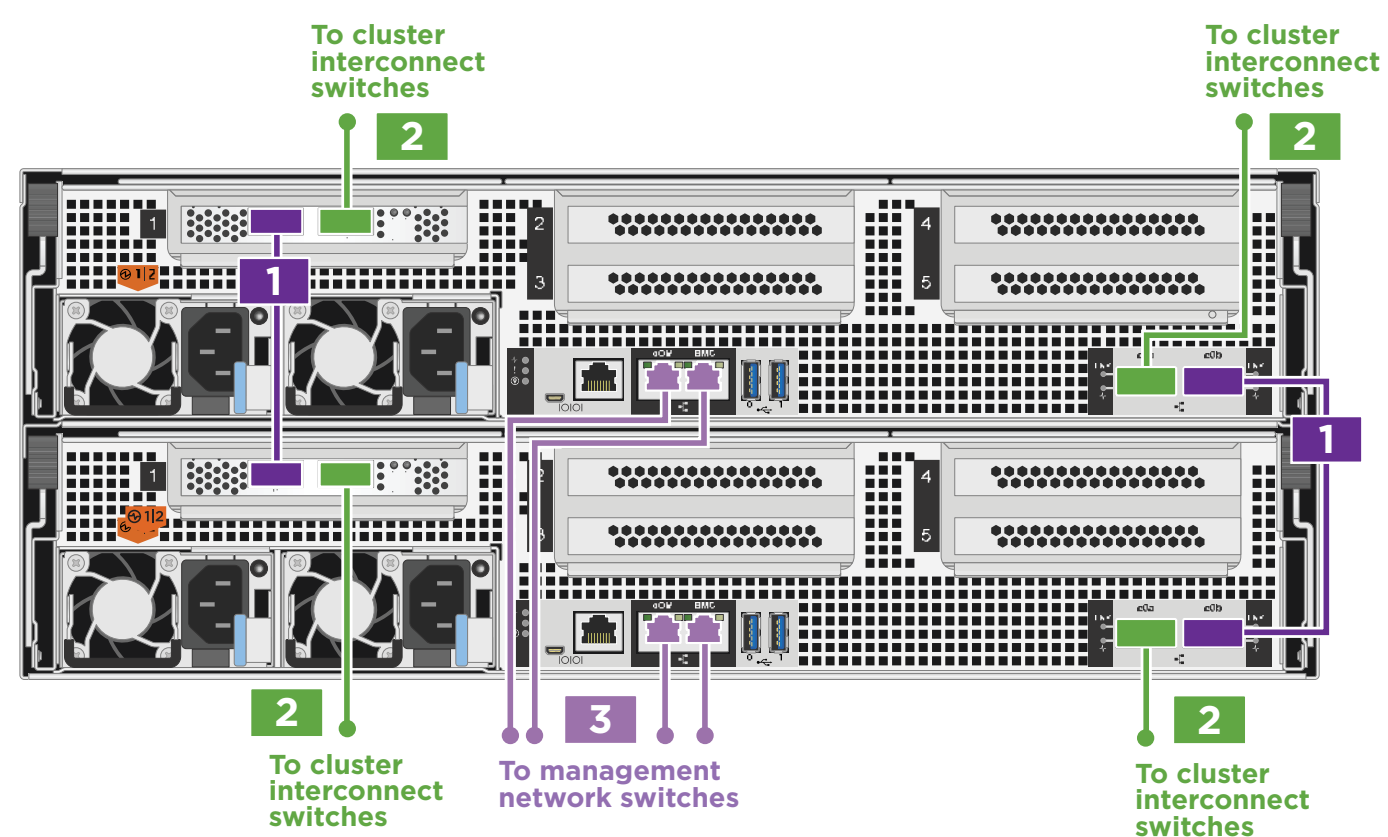
- 3 Cable the e0M port and BMC ports to the management switches.

 **DO NOT plug power cords into the power source at this point.**

### A Two-node switchless cluster



### B 100GbE cluster interconnect network

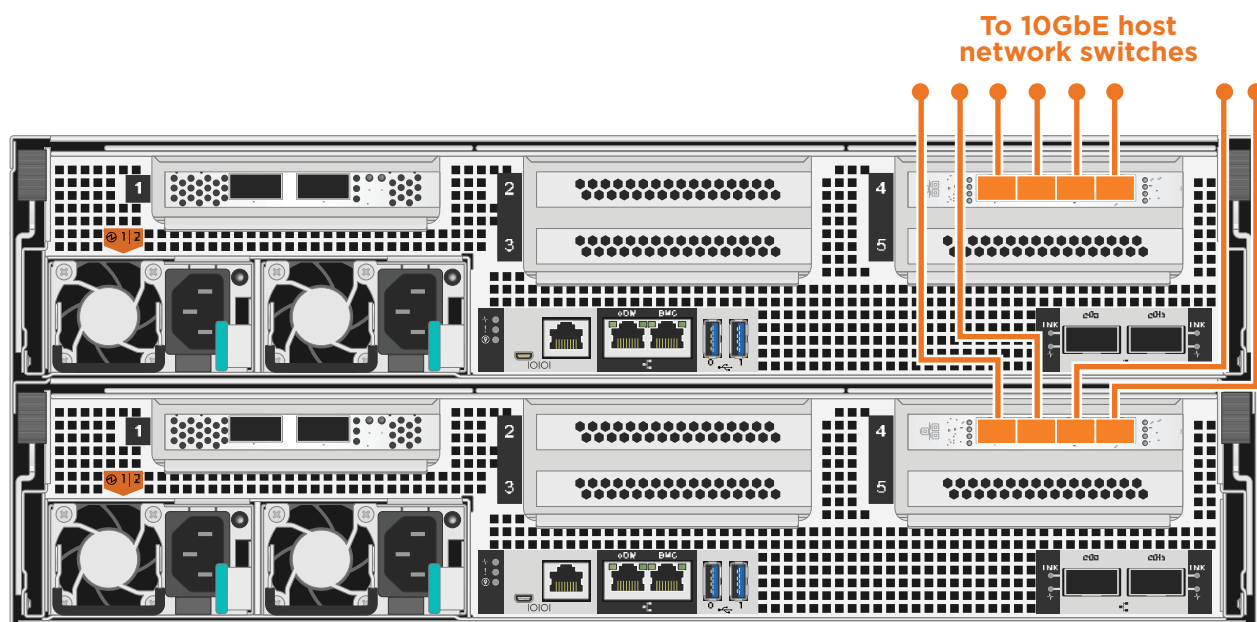


# Cable configuration-dependent options | Stage 3

## A 10GbE host network



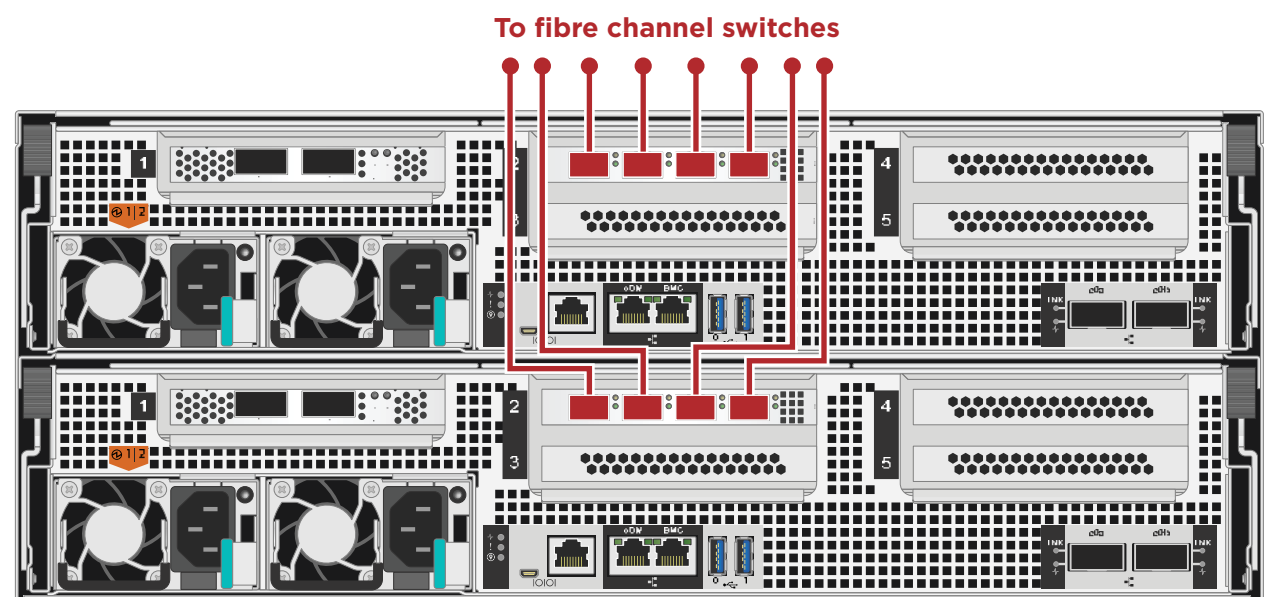
Cable ports e4a through e4d to the host network.



## B FC host network



Cable ports e2a through e2d to the host network.

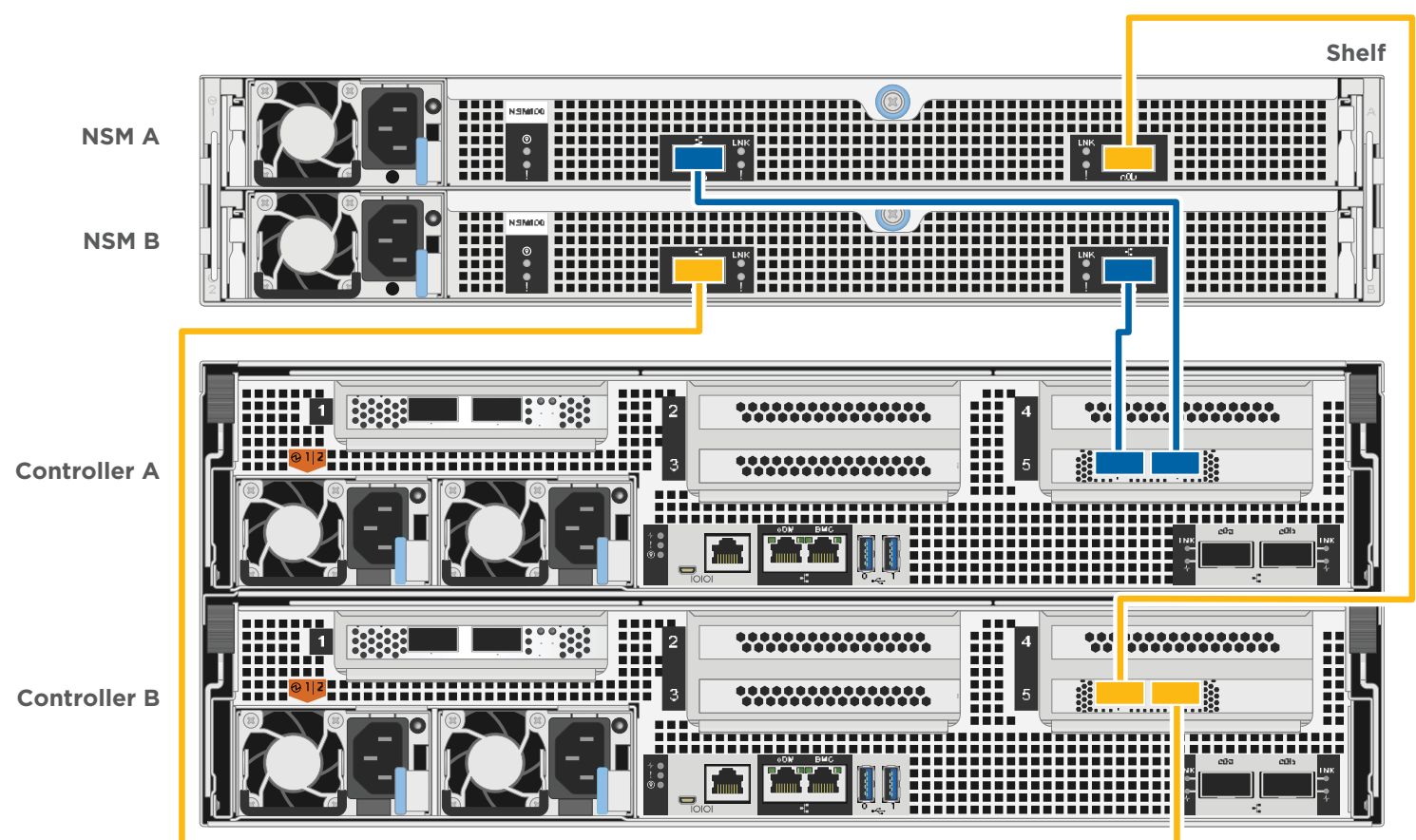


## C External storage

Cabling an AFF A800 system to one NS224 shelf



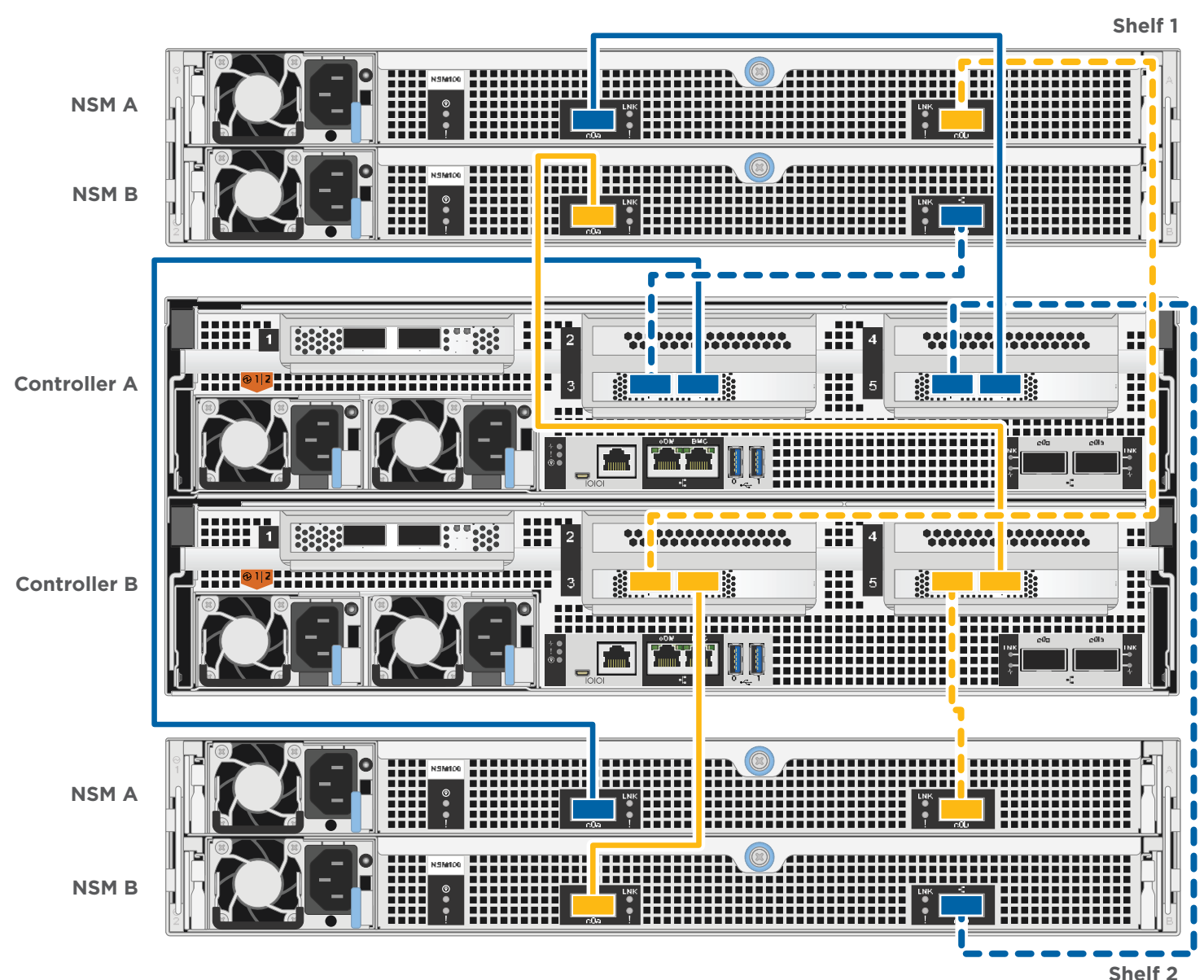
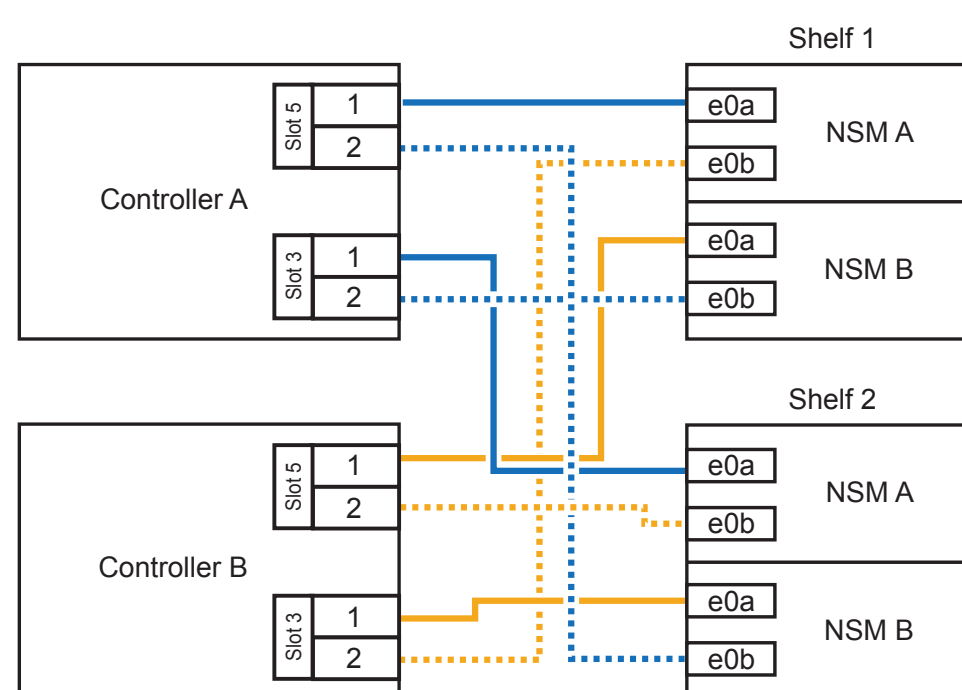
- 1 Connect controller A port e5a to port e0a on NSM A on the shelf. Connect controller A port e5b to port e0b on NSM B on the shelf.
- 2 Connect controller B port e5a to port e0a on NSM B on the shelf. Connect controller B port e5b to port e0b on NSM A on the shelf.



Cabling an AFF A800 system to two NS224 shelves



Use the table below to connect your controllers to the two NS224 shelves.



# Complete system setup and configuration | Stage 4

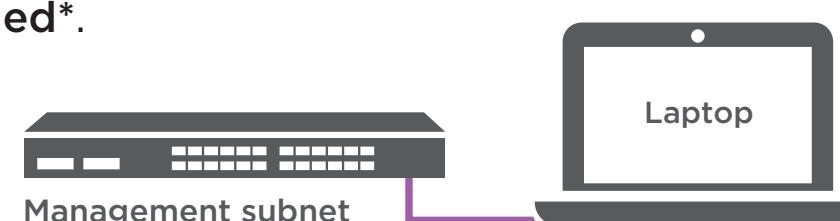
## 1 Connect the power cables to the controllers and to the power source.

The system powers on when plugged into the power source.

## 2 Complete initial cluster setup:

1. **Make sure that your laptop has network discovery enabled\*.**  
See your laptop's help for network discovery settings.

2. Connect your laptop to the Management switch.

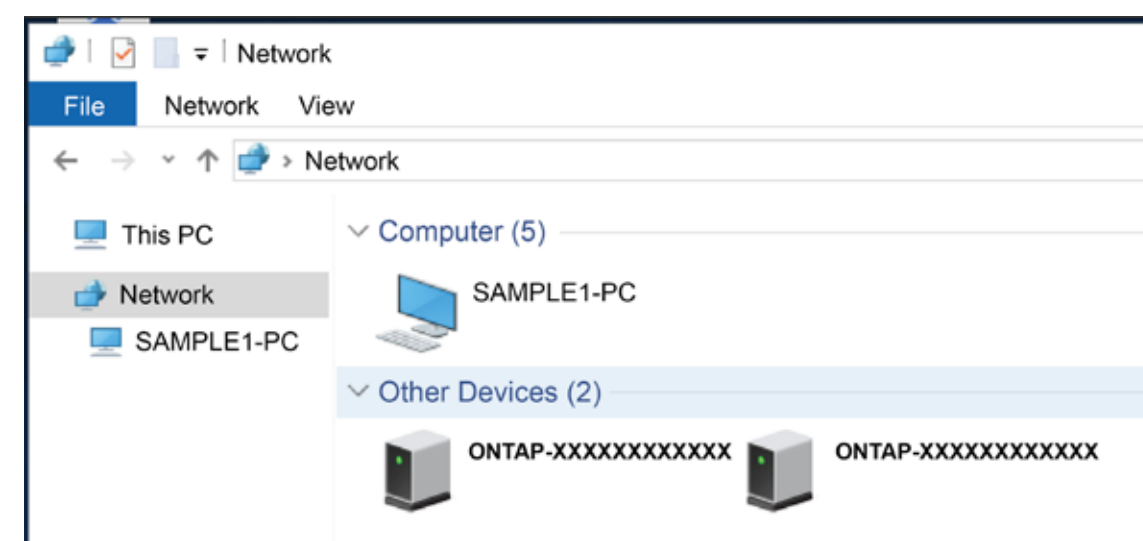


3. Access the network computers and devices:
  - Open File Explorer
  - Click network in the left pane
  - Right click and select refresh.

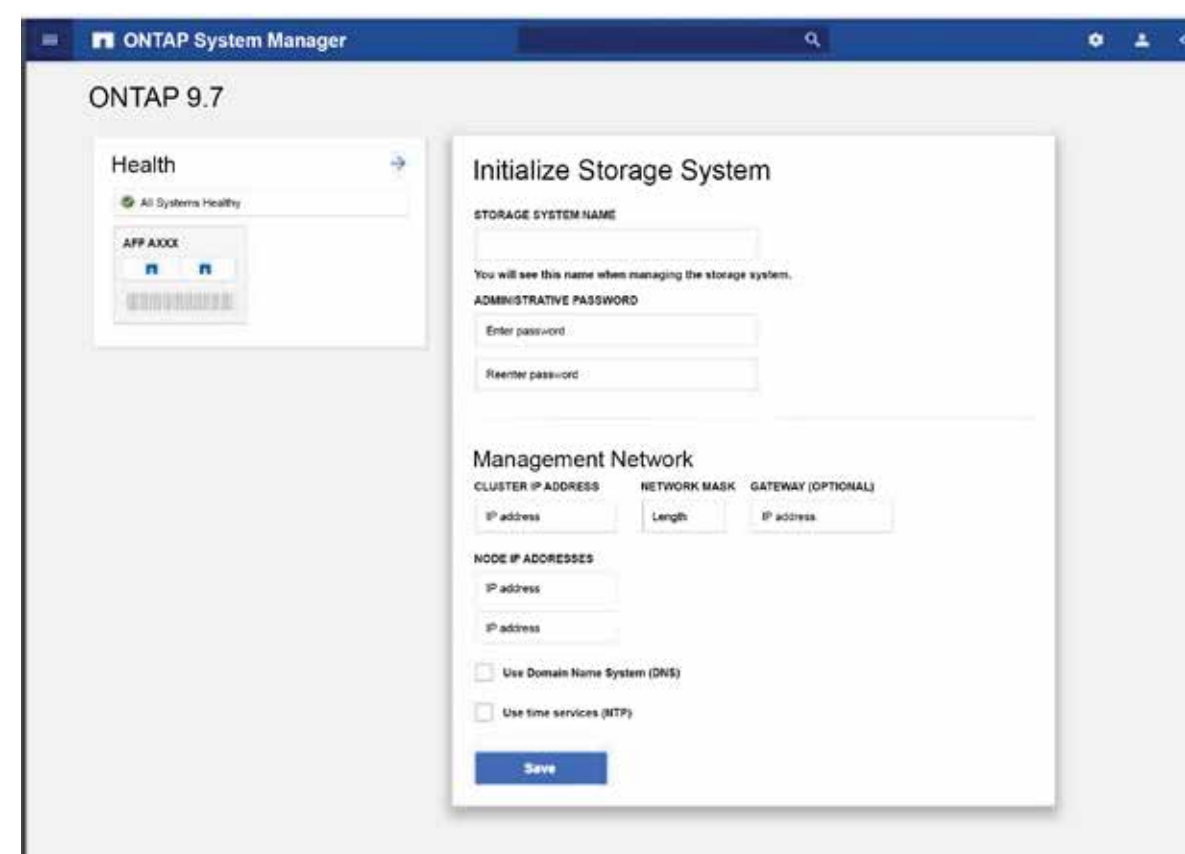
4. Double-click either ONTAP icon

**Note:** Accept any certificates displayed on your screen.

\*If your laptop does not support network discovery, see the Installation and setup guide for your model for how to complete initial cluster setup.



## 3 Use System Manager Guided Setup to configure your cluster



## 4 Completing setup

1. Click...
  - a) [mysupport.netapp.com](https://mysupport.netapp.com)
  - b) [Create/log in to your account](#)
  - c) [Download and install Active IQ Config Advisor](#) (used at the end)
  - d) [Register your system](#)
2. Verify the health of your system by running Config Advisor.
3. After you have completed the initial configuration, go to the [NetApp ONTAP Resources](#) page for information about configuring additional features in ONTAP.