

# FAS9000 Systems

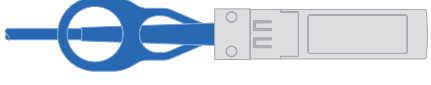





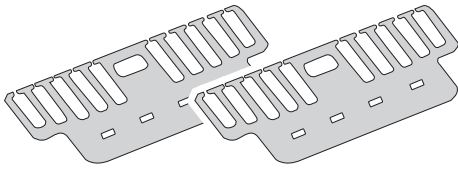

## Installation and Setup Instructions

### Prepare for installation | 1

#### Pre-setup

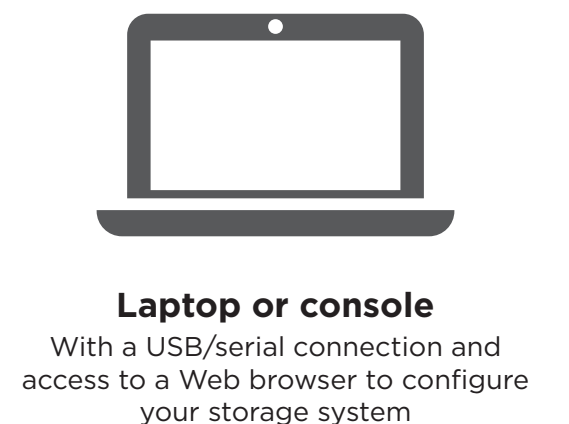
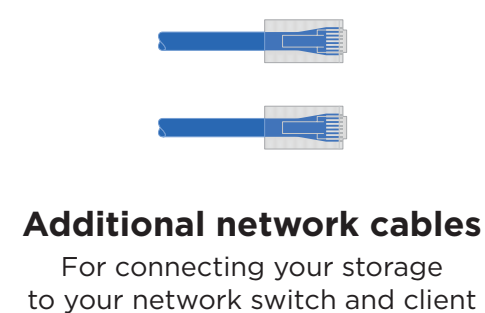
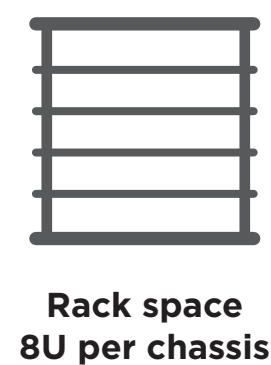
1. Unpack all boxes and inventory contents.  
**Attention:** Customers with specific power requirements must check [Hardware Universe](#) for their configuration options.
2. Watch the [Setup Videos](#).
3. Review the [NetApp ONTAP Configuration Guide](#).

#### In the box

<p><b>Host cables</b></p>  <p>10 GbE network cable Part number 112-00299, 112-00300, or 112-00301</p>  <p>40 GbE network cable Part number 112-00543</p>	<p><b>Storage cables</b></p>  <p>MiniSAS HD cable Part number 112-00436, 112-00437, or 112-00438</p>  <p>Optical network cable Part number 112-00188, 112-00189, or 112-00090</p>	<p><b>Controller-to-controller cables</b></p>  <p>40 GbE cluster interconnect cable Part number 112-00542 or 112-00543</p>  <p>USB console cable Part number 112-00508</p>	<p><b>Cable management device</b></p>  <p><b>Slide rail kit</b></p> 
--	--	--	--

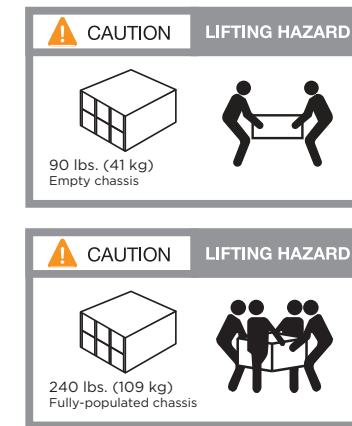
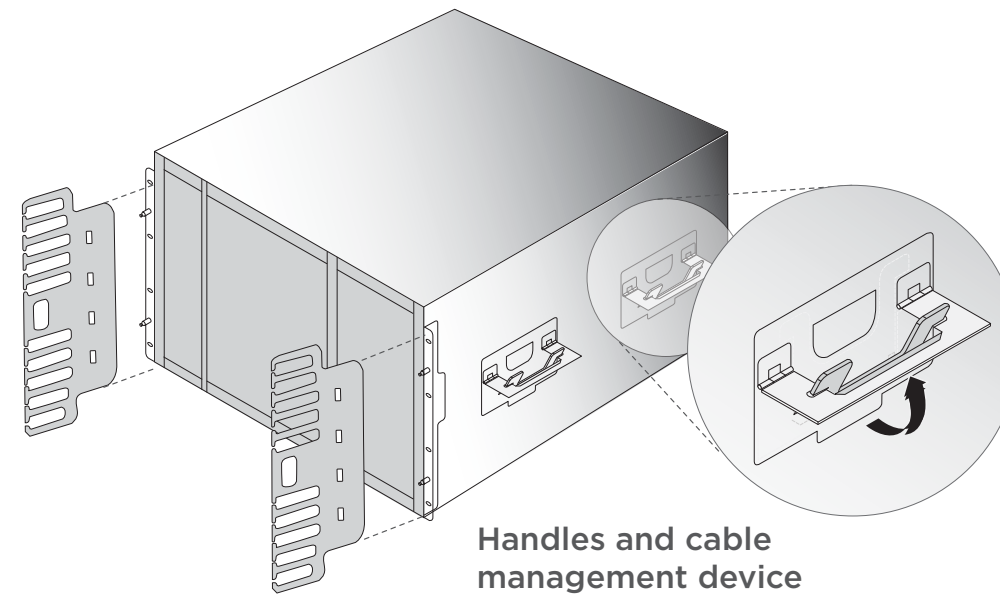
**Note:** For more cable information and part numbers, see the [Hardware Universe](#).

#### You provide



## 1 Unpack and install the system.

- Unpack all boxes and inventory contents.
- Install rail kits, as needed, using the rail kit installation instructions.
- Install the empty chassis into the system cabinet or rack.
- Reinstall the system components into the chassis, matching the chassis slot ID with the slot ID sticker on the component.
- Attach cable management device.
- Place the bezel on the front of the system.



## 2 Cable controller to switches (choose option A or B below)

See your network administrator for help connecting to your switch.



- 1 Switchless cluster:** Cable cluster interconnect ports A together in slot A4 and B4 (e4a) and again in slot A8 and B8 (e8a).

**Switched cluster:** Connect ports a in slot A4, B4, A8 and B8 (e4a, e8a) to the cluster switch. Use the cables supported by your switch.



- Connect the wrench ports to the management switches.



- Connect the e4b and e8b ports to the data switches.

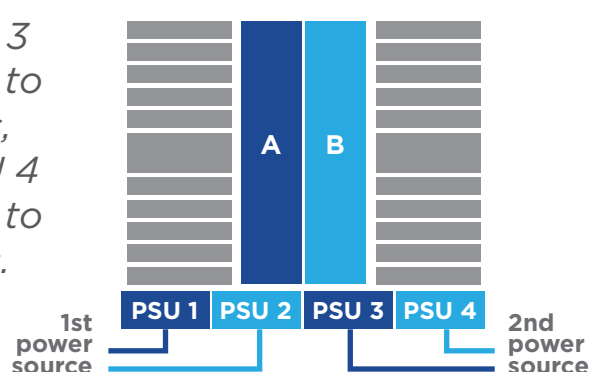
Connect the e2a, e2c, e10a and e10c ports to the data switches.

- Strap the cables to the cable management arms (not shown).



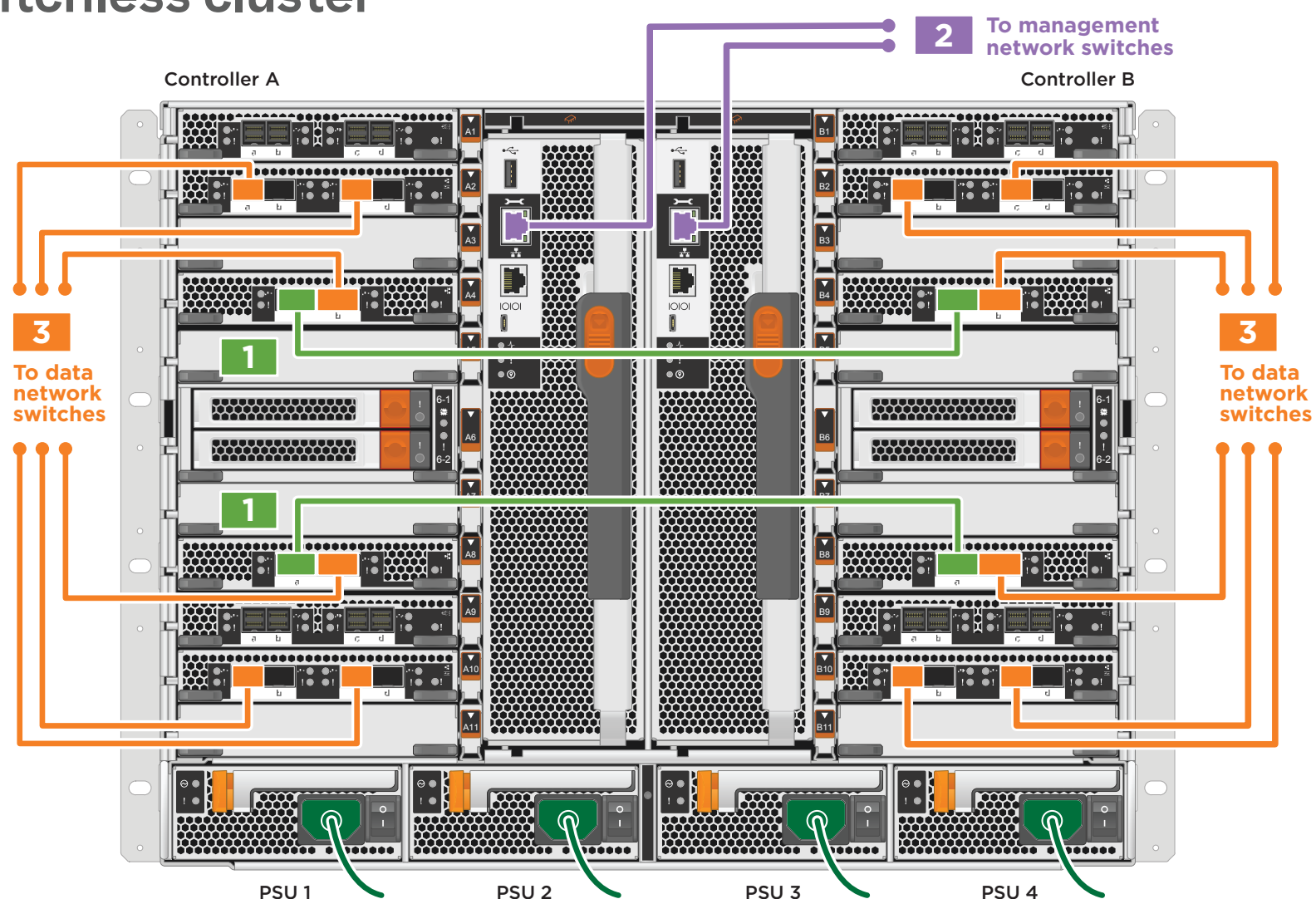
- Connect the power cables to the PSUs and connect them to different power sources.

PSU 1 and PSU 3 provide power to all side A FRUs, PSU 2 and PSU 4 provide power to all side B FRUs.

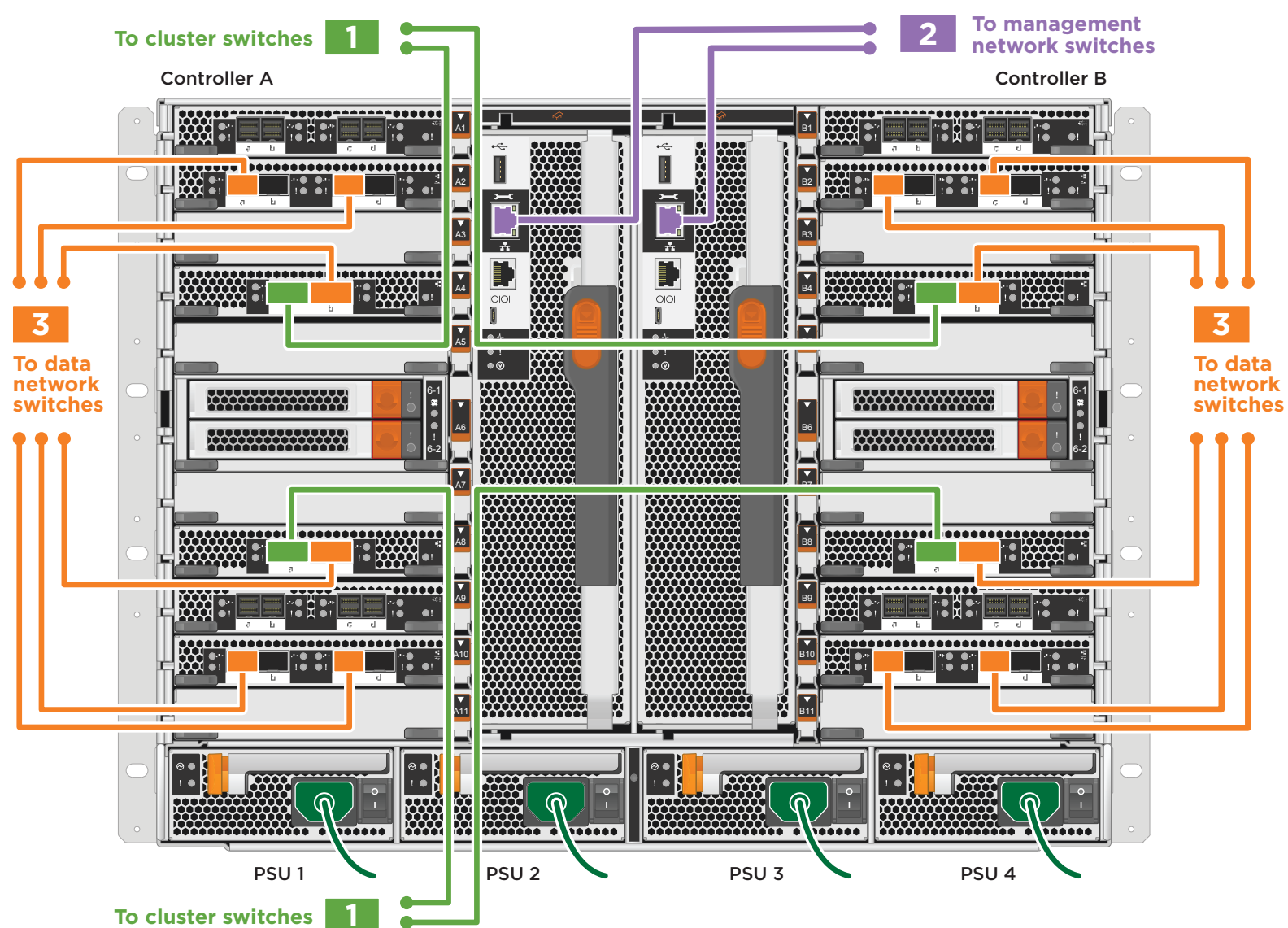


**DO NOT power on controllers at this point.**

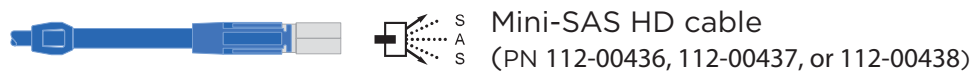
### Switchless cluster



### Switched cluster



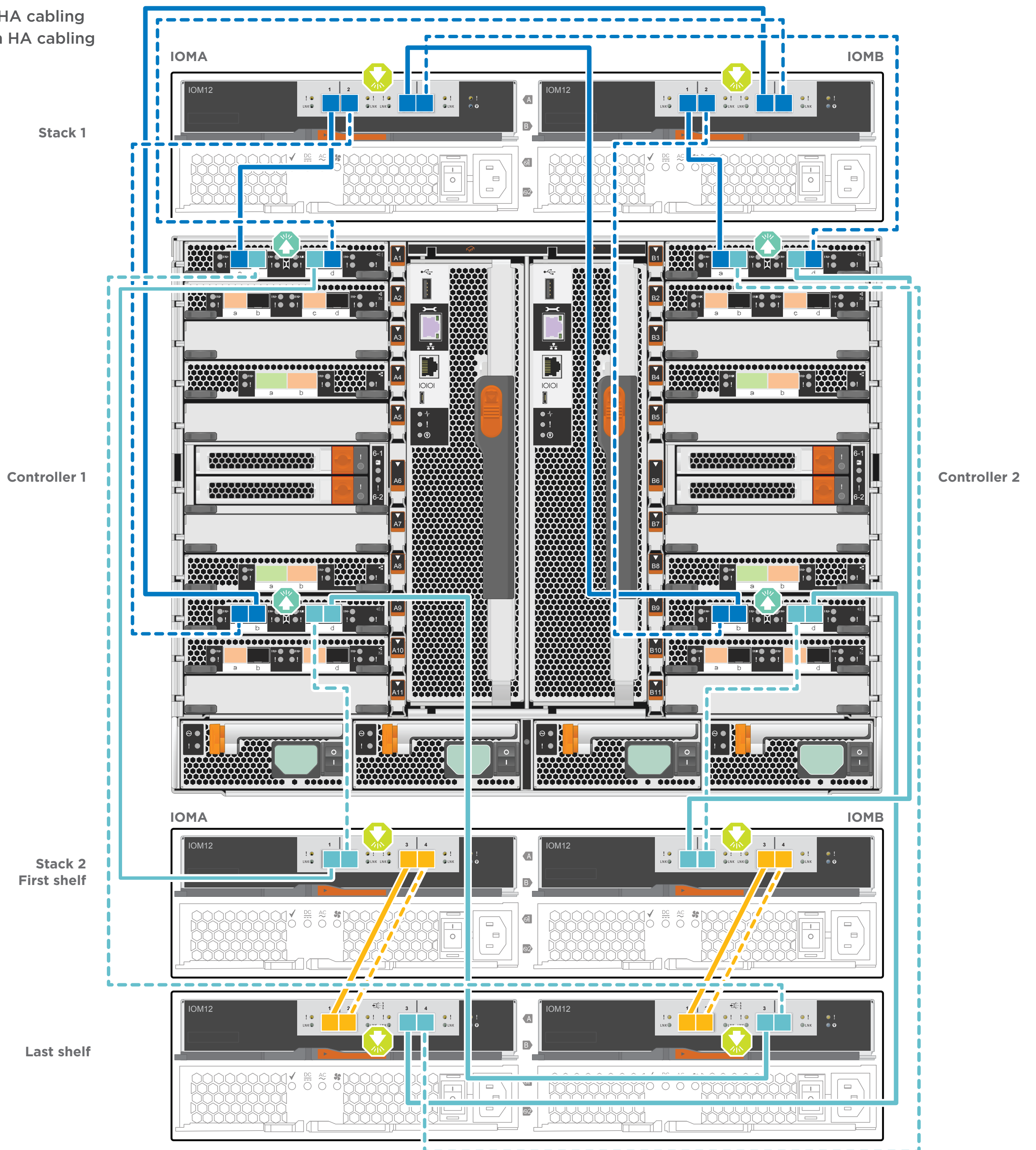
## Cabling a FAS9000 with external storage (DS212C or DS224C disk shelves)



- 1** Connect the shelf-to-shelf ports
- 2** Connect the controllers to Stack 1
- 3** Connect the controllers to Stack 2

  Insert SAS cable tab **UP** or tab **DOWN** and gently push into place until it clicks.

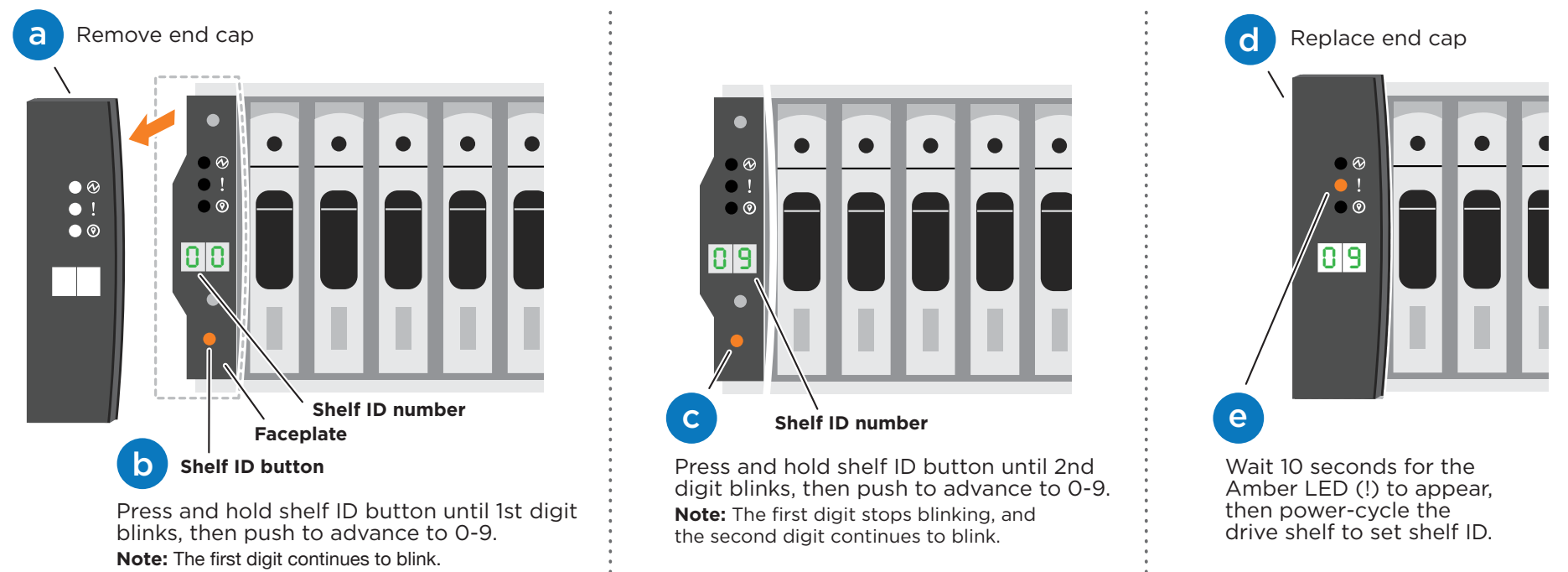
— Multipath HA cabling  
- - - Quad-path HA cabling (optional)



## 1 Power on the shelves and set shelf IDs:

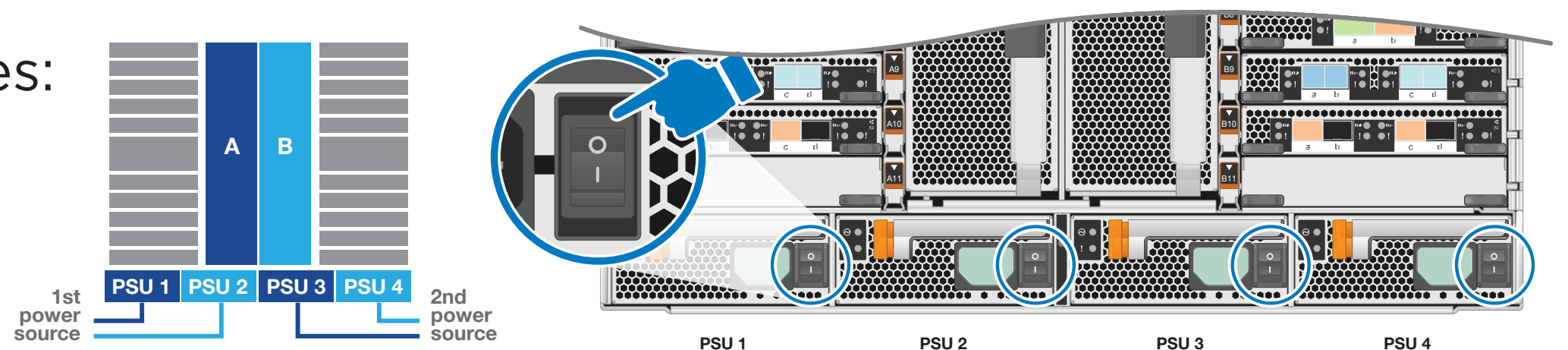
1. Plug the power cords into the shelf power supplies, connect them to power sources on different circuits, and then turn on the power switches to boot the shelves.
2. If you need to change the shelf IDs, continue with substeps a through e; otherwise, skip to “Power on the controllers” below.

Repeat these steps for any remaining drive shelves.



## 2 Turn on the power switches to all nodes:

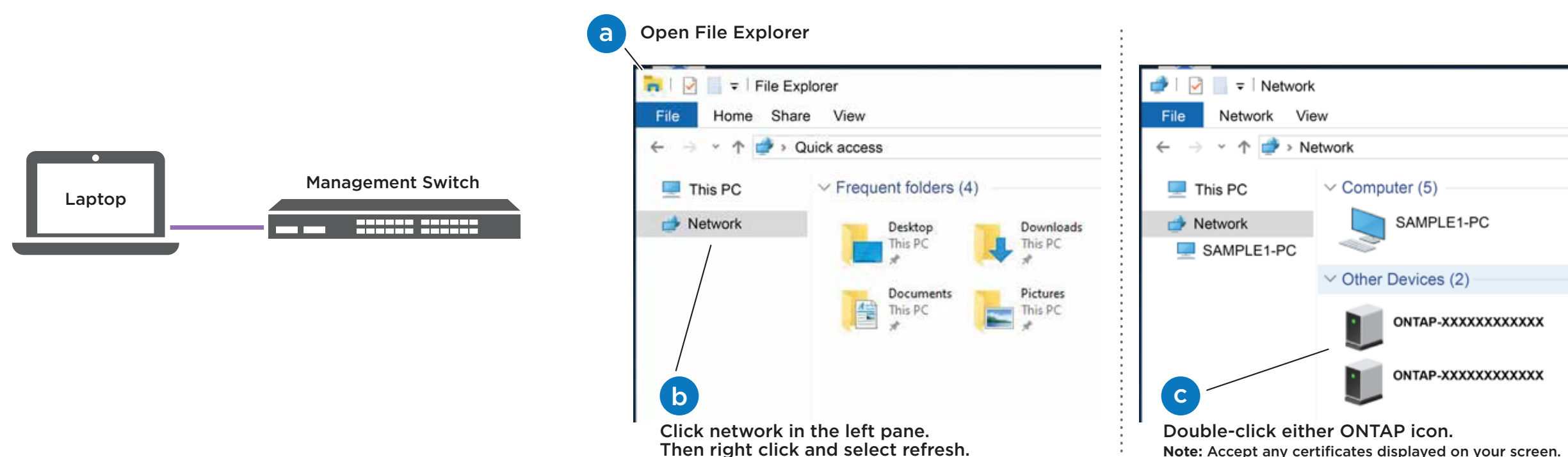
PSU 1 and PSU 3 provide power to all side A FRUs, PSU 2 and PSU 4 provide power to all side B FRUs.



## 3 Complete initial cluster setup with network discovery:

**Note:** If your laptop does not support network discovery, see the [Detailed guide](#).

Connect your laptop to the management switch and access the network computers and devices.



## 4 Use System Manager Guided Setup to configure your cluster.

## 5 Completing setup:

1. Click...
  - a) [mysupport.netapp.com](https://mysupport.netapp.com)
  - b) [Create/log in to your account](#)
  - c) [Download and install Active IQ Config Advisor](#)
  - d) [Register your system](#)
2. Verify the health of your system by running Config Advisor.
3. After you have completed the initial configuration, go to the [NetApp ONTAP Resources](#) page for information about configuring additional features in ONTAP.