

AFF C800 Systems Installation and Setup Instructions



Prepare and install | Stage 1



Pre-setup

1. Unpack all boxes and inventory contents.
Attention: Customers with specific power requirements must check [Hardware Universe](#) for their configuration options.
 2. Gather information about your storage system by completing the cluster setup worksheets:
[Get started with ONTAP cluster set up.](#)
 3. Review the requirements and procedure steps for [Configure ONTAP on a new cluster with System Manager.](#)
- Note:** For MetroCluster configurations, use the [MetroCluster installation content.](#)



Contents in the box

Cables shown are the most common. See [Hardware Universe](#) for more options.



100 Gb Ethernet, QSFP28 Cluster interconnect, HA interconnect, storage
Part numbers X66211A-05, 0.5m; X66211-1, 1m; X6566B-5-R6, 5m



10 Gb Ethernet, SFP Network cable
Part numbers X6566B-3-R6, 3m; X6566B-5-R6, 5m



32 Gb FC (SFP+ Op) FC optical network cable
Part numbers X66250-2, 2m; X66250-5, 5m; X66250-15, 15m; X66250-30, 30m



Slide rail kit

Additional cables

■ Ethernet cables



■ Power cables



You provide

✓ **Rack space**
4U for platform +2U for each NS224 shelf

✓ **Screwdriver**
Phillips #2

✓ **Additional network cables**
For connecting your storage system to your network switch and laptop or console

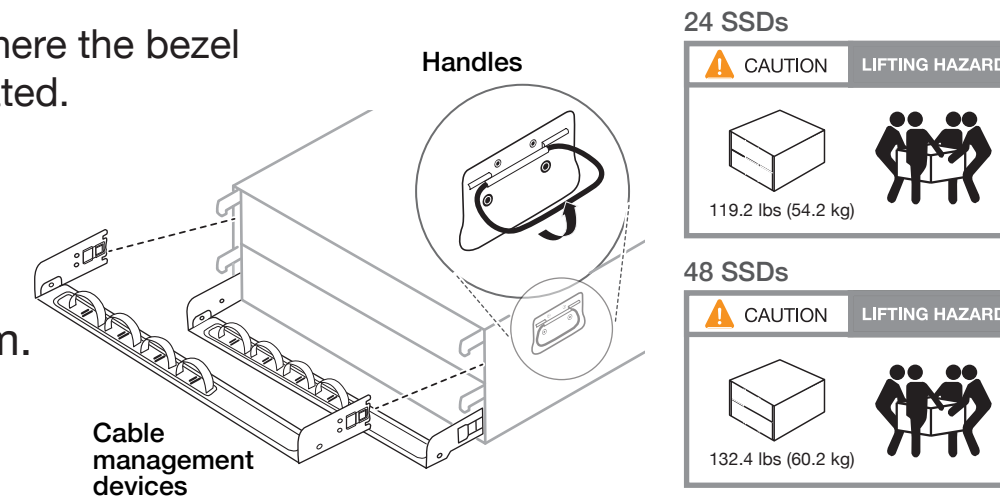
✓ **Laptop or console**
With a USB/serial connection and access to a Web browser to configure your storage system



Install storage system in a rack or cabinet

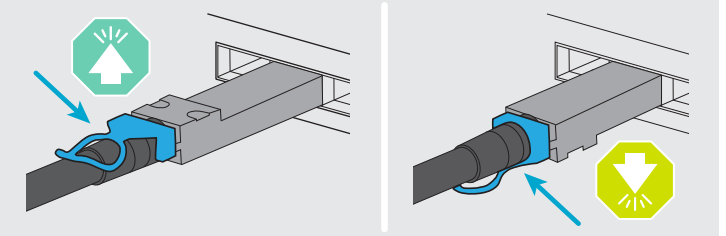
Attention: Airflow through the platform and shelves enters from the front where the bezel or end caps are installed and exhausts out the rear where the ports are located.

1. Install the rail kits for the platform and shelves, as needed, using the instructions included with the kits.
2. Install the platform chassis into the rack or cabinet.
3. Attach the cable management devices to the rear of the platform.
4. Install the bezel on the front of the platform.
5. Install any drive shelves into the rack or cabinet.



Cable controllers | Stage 2

Attention: Be sure to check the illustration arrow for the proper cable connector pull-tab orientation.
Note: To unplug a cable, gently pull the tab to release the locking mechanism.

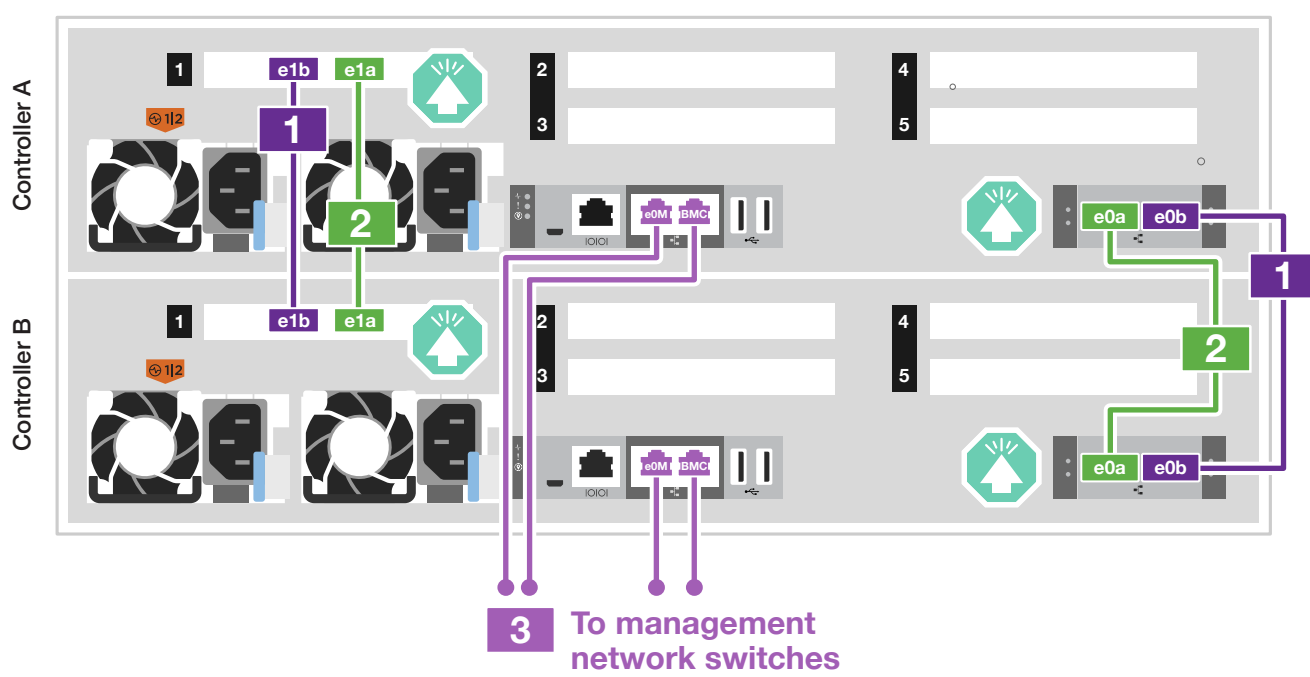


1 Cable the controllers for a switchless or switched cluster

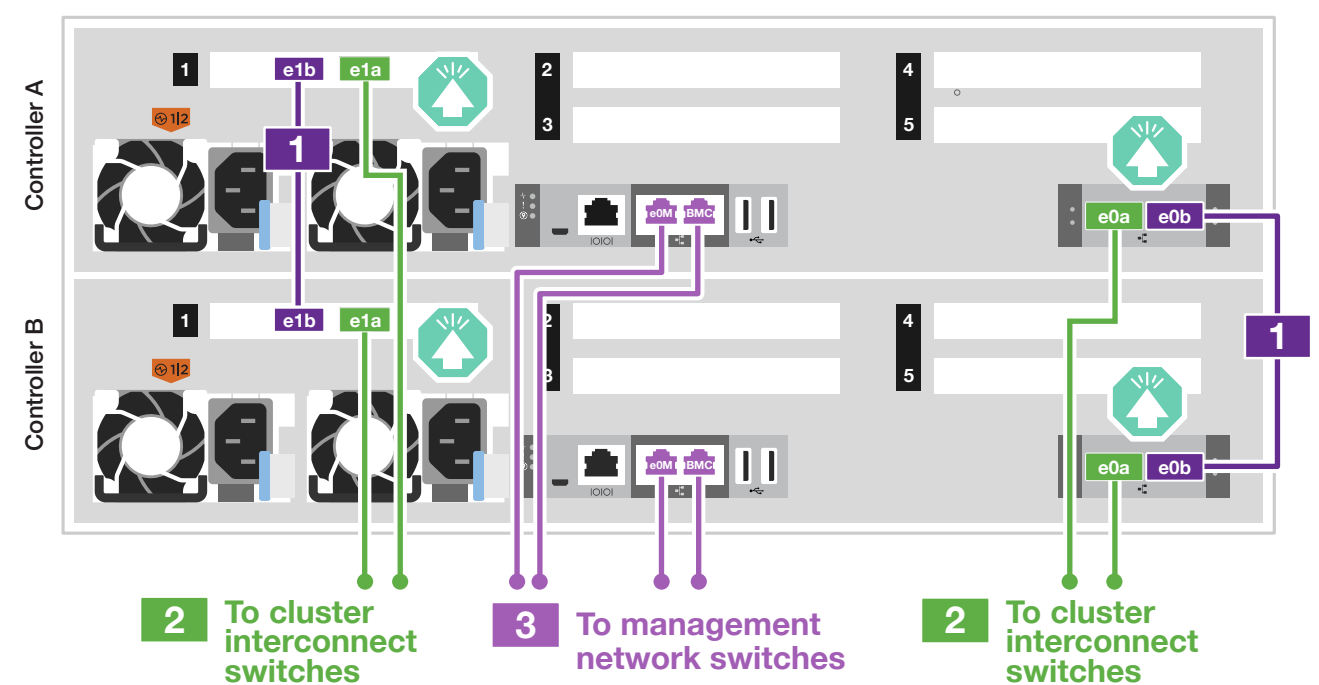
See your network administrator for help connecting to your switches.

Note: As you insert the connector, you should feel it click into place; if you do not feel it click, remove it, turn it around and try again.

Switchless cluster



Switched cluster



100 GbE QSFP28 copper cables

1 Connect port e1b to port e1b and port e0b to port e0b (HA interconnect only).

100 GbE QSFP28 cables

2 **Switchless cluster** Connect port e1a to port e1a and port e0a to port e0a.
Switched cluster Connect port e1a of each node and port e0a of each node to the cluster interconnect switches.

Ethernet cables

3 Cable the e0M port and BMC ports to the management switches.

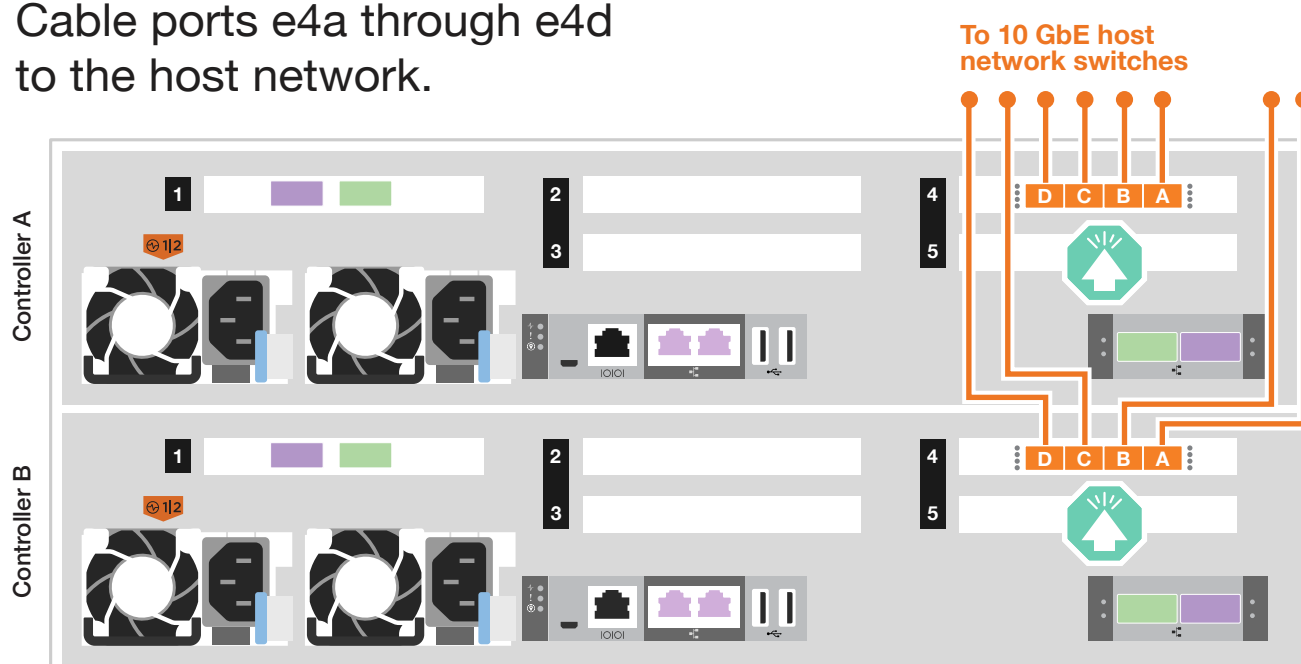
DO NOT plug power cords into the power source at this point.

2 Host network options

Option 1: 25 GbE host network

10 GbE SFP copper cables

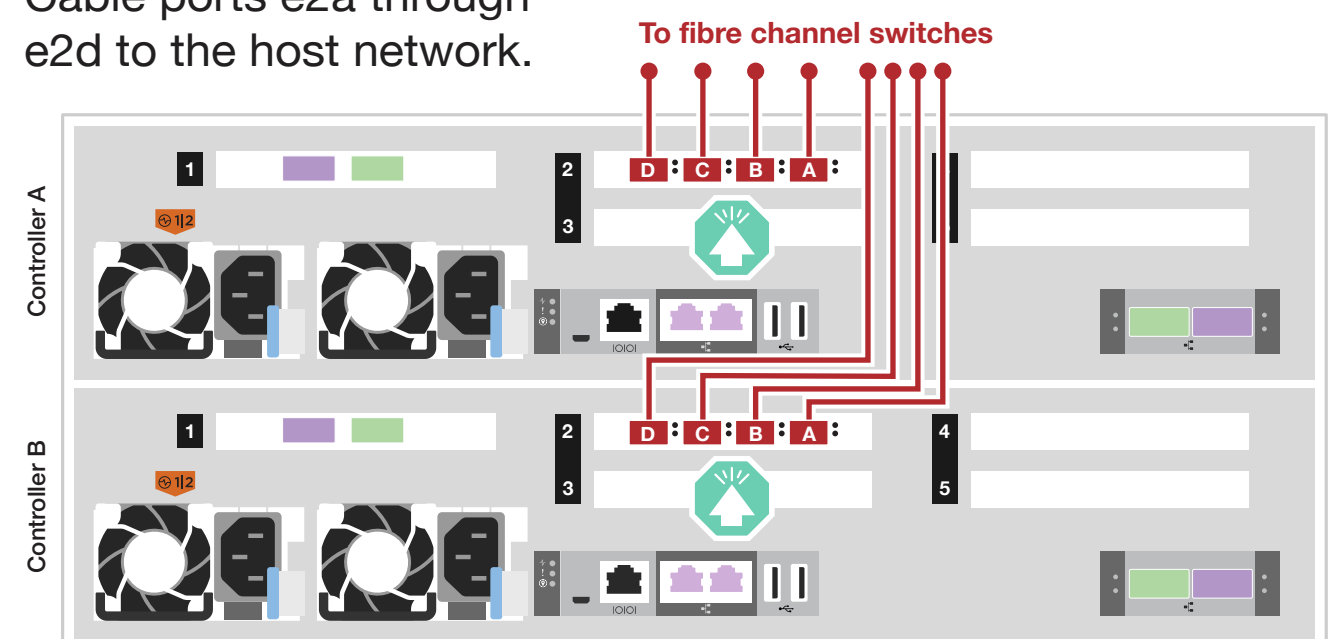
Cable ports e4a through e4d to the host network.



Option 2: FC host network

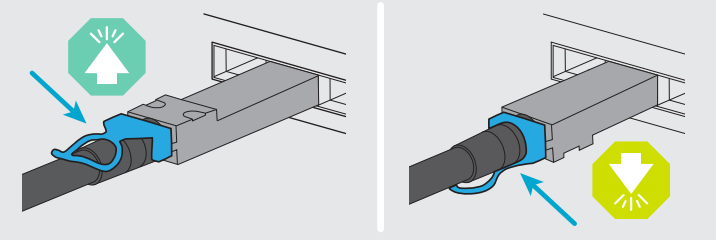
SFP optical cables

Cable ports e2a through e2d to the host network.



Cable controllers | Stage 2

Attention: Be sure to check the illustration arrow for the proper cable connector pull-tab orientation.
Note: To unplug a cable, gently pull the tab to release the locking mechanism.



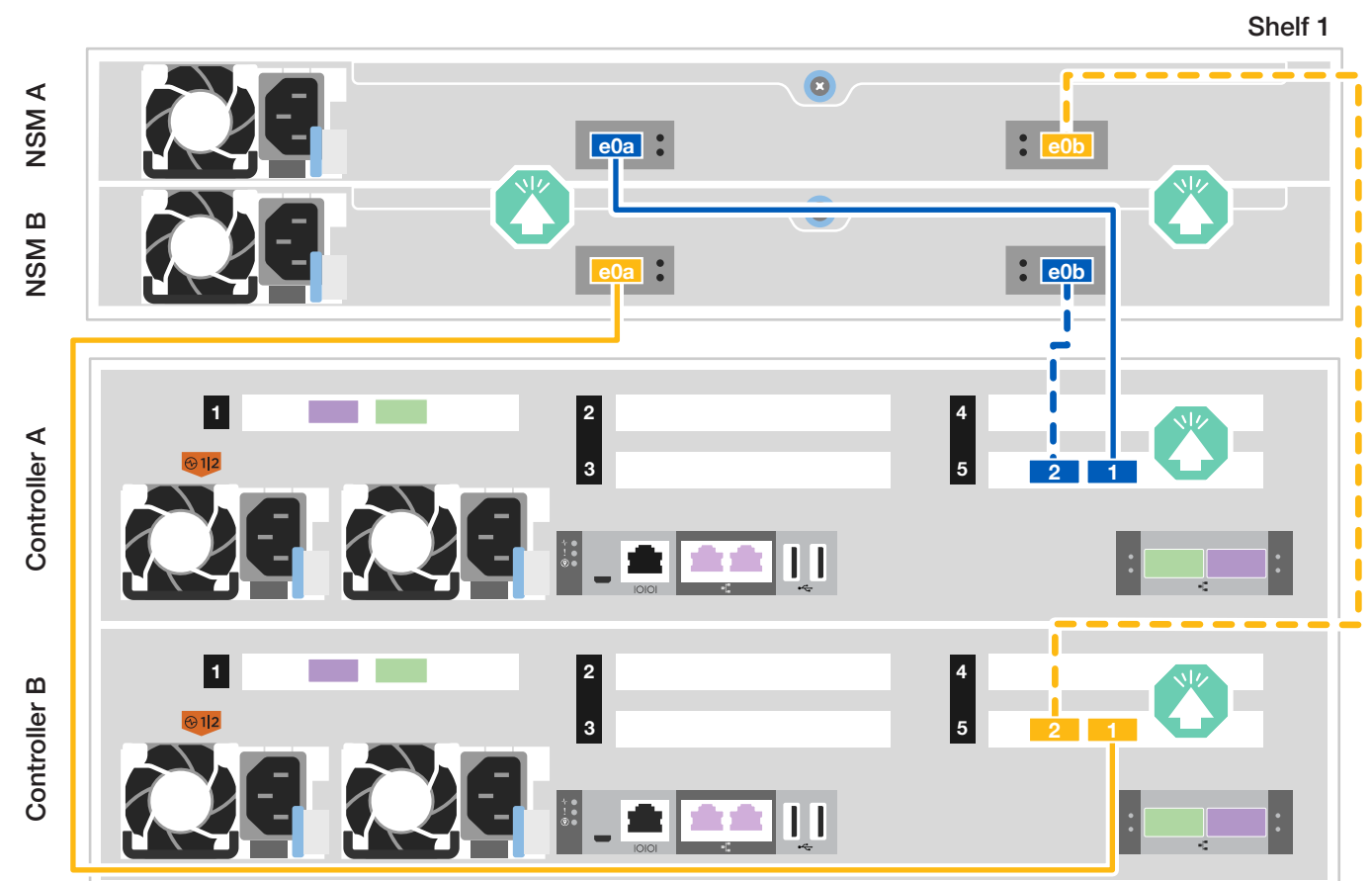
3 Cable storage

Cable to one NS224 shelf



Use the table below to connect your controllers to the NS224 shelf.

		Shelf 1					
		NSM A		NSM B			
Controller	A	Slot 5	Port 1	e0a	e0b	e0a	e0b
		Slot 5	Port 2	e0a	e0b	e0a	e0b
	B	Slot 5	Port 1	e0a	e0b	e0a	e0b
		Slot 5	Port 2	e0a	e0b	e0a	e0b

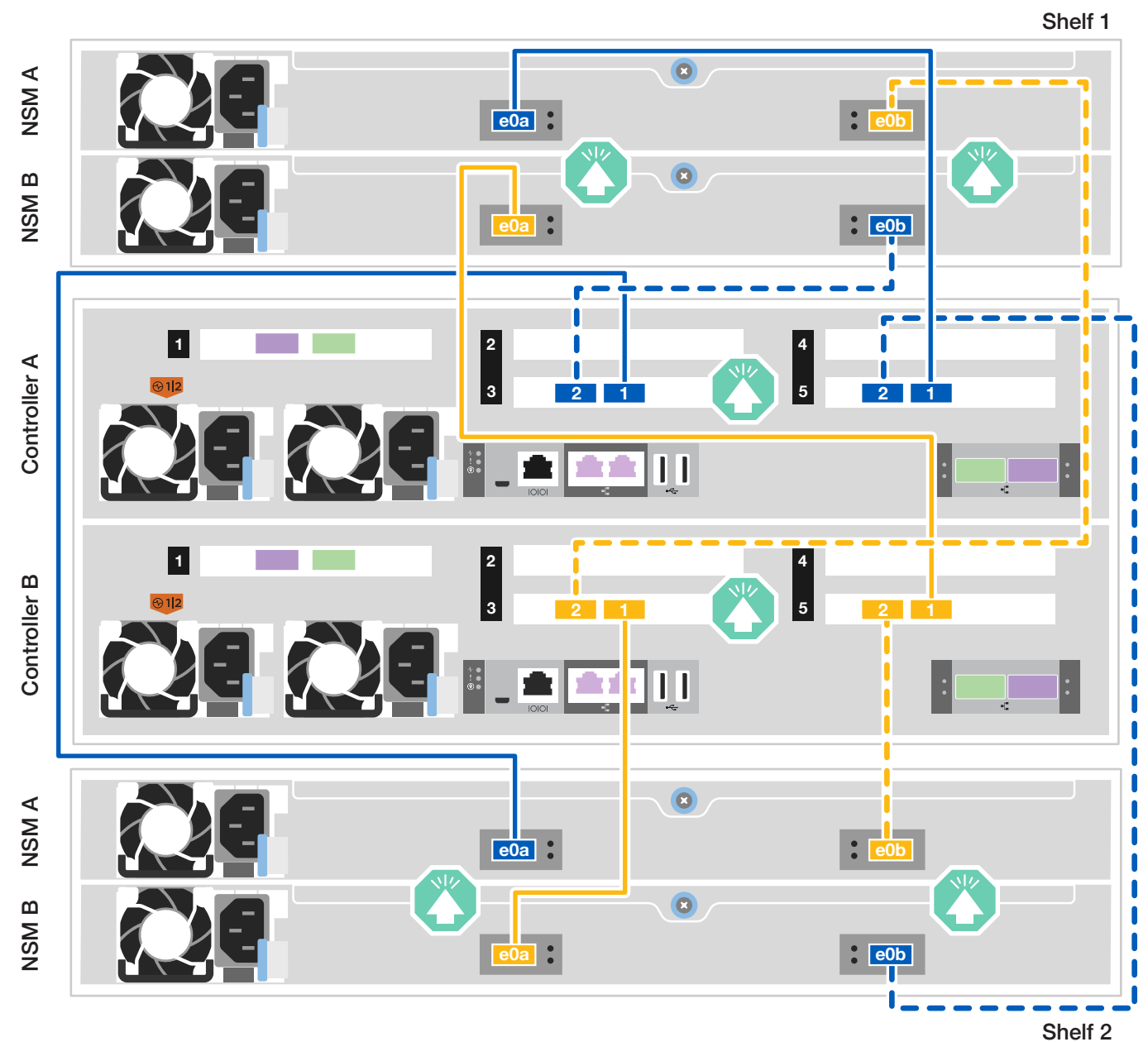


Cable to two NS224 shelves



Use the table below to connect your controllers to the two NS224 shelves.

		Shelf 1				Shelf 2			
		NSM A		NSM B		NSM A		NSM B	
Controller	A	Slot 3	Port 1	e0a	e0b	e0a	e0b	e0a	e0b
		Slot 3	Port 2	e0a	e0b	e0a	e0b	e0a	e0b
		Slot 5	Port 1	e0a	e0b	e0a	e0b	e0a	e0b
		Slot 5	Port 2	e0a	e0b	e0a	e0b	e0a	e0b
	B	Slot 3	Port 1	e0a	e0b	e0a	e0b	e0a	e0b
		Slot 3	Port 2	e0a	e0b	e0a	e0b	e0a	e0b
		Slot 5	Port 1	e0a	e0b	e0a	e0b	e0a	e0b
		Slot 5	Port 2	e0a	e0b	e0a	e0b	e0a	e0b



Storage system bring-up | Stage 3

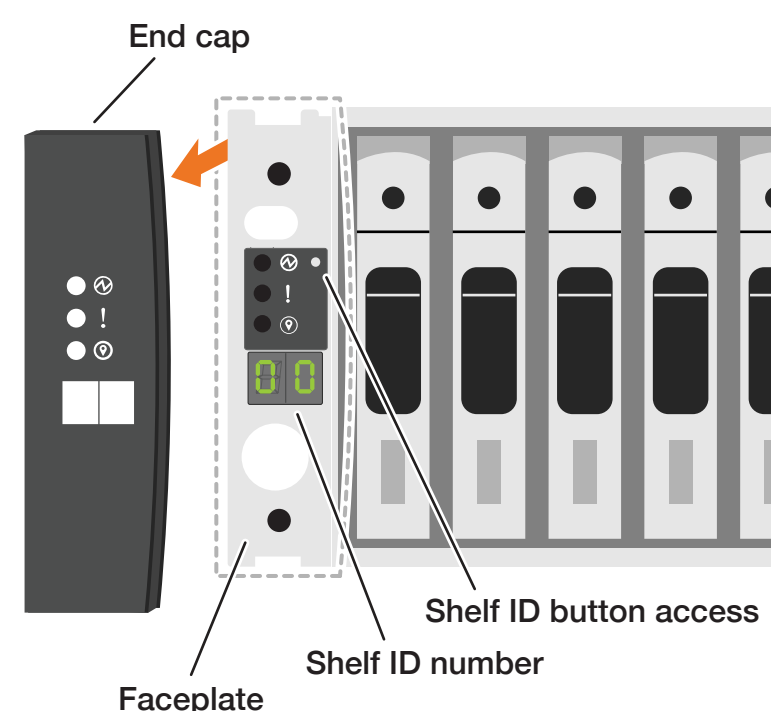
1 Power on the shelves and set shelf IDs

Note: For NS224 drive shelves, shelf IDs are pre-set to 00 and 01. If you want to change the shelf IDs, use the straightened end of a paperclip, or narrow tipped ball point pen to access the shelf ID button behind the faceplate.

1. Plug the power cords into the shelf power supplies, and then connect them to power sources on different circuits.

Note: NS224 shelves have no power switch and will begin to boot.

2. If you need to change the shelf ID's, see [Change a shelf ID - NS224 shelves](#) for detailed instructions.

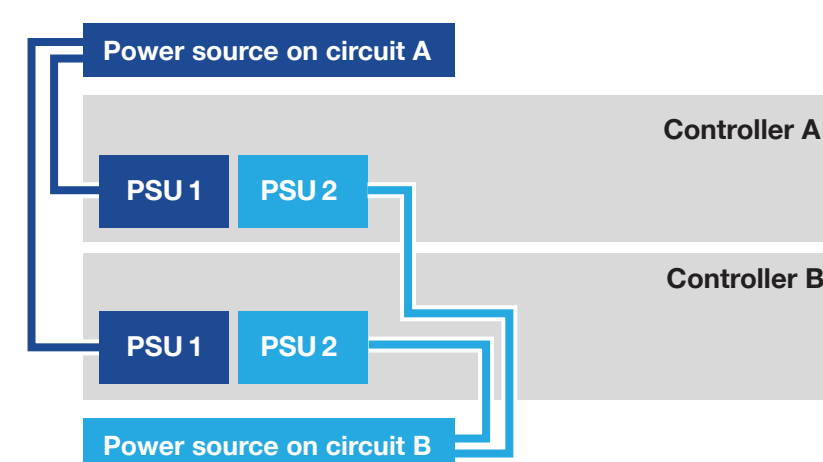


2 Connect the power cables

 Power cables

1. Connect the power cables to each controller's power supplies, and then to power sources on different circuits.
2. Secure the power cables using the securing device on each power supply.

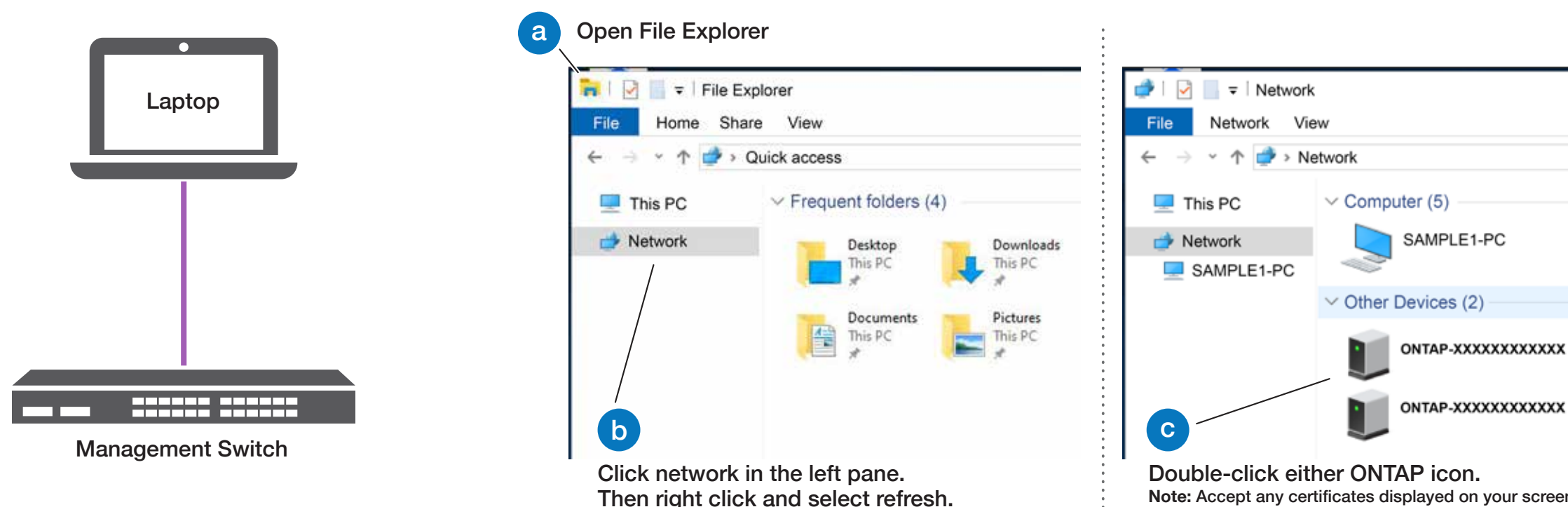
Note: The storage system powers on when plugged into the power sources.



3 Complete initial cluster setup with network discovery

Note: If your laptop does not support network discovery, see the [Detailed steps](#).

Connect your laptop to the management switch and access the network computers and devices.



4 Configure your cluster using the [Configure ONTAP on a new cluster with System Manager](#) procedure

5 Complete setup

1. Click...
 - a) mysupport.netapp.com
 - b) [Create/log in to your account](#)
 - c) [Register your system](#)
2. [Download and install Active IQ Config Advisor](#), and then run it to verify the health of your storage system.
3. After you have completed the initial configuration, go to the [NetApp ONTAP Resources](#) page for information about configuring additional features in ONTAP.