



Previous architectures and equipment

FlexPod

NetApp
June 04, 2021

This PDF was generated from https://docs.netapp.com/us-en/flexpod/fp-def/fp-express-tech-spec__previous_architectures_and_equipment.html on September 12, 2021. Always check docs.netapp.com for the latest.

Table of Contents

Previous architectures and equipment 1
 Previous FlexPod Express architectures 1

Previous architectures and equipment

FlexPod is a flexible solution allowing customers to use both existing and new equipment currently for sale by Cisco and NetApp. Occasionally, certain models of equipment from both Cisco and NetApp are designated end of life.

Even though these models of equipment are no longer available, customers who bought one of these models before the end-of-sale date can use that equipment in a FlexPod configuration.

Additionally, FlexPod Express architectures are periodically refreshed to introduce the latest hardware and software from Cisco and NetApp to the FlexPod Express solution. This section lists the previous FlexPod Express architectures and hardware used within them.

Previous FlexPod Express architectures

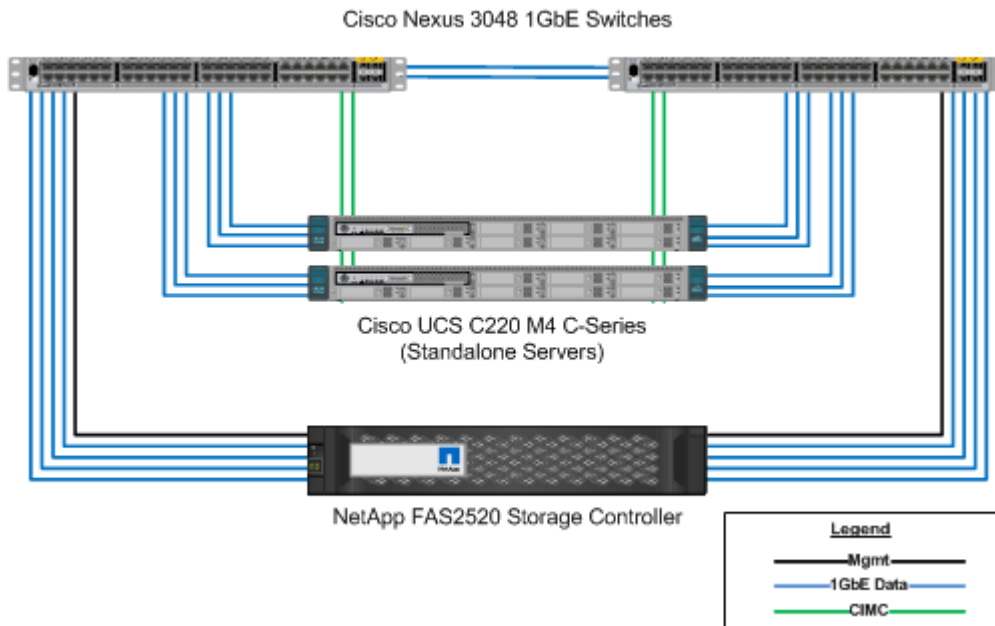
This section describes the previous FlexPod Express architectures.

FlexPod Express small and medium configurations

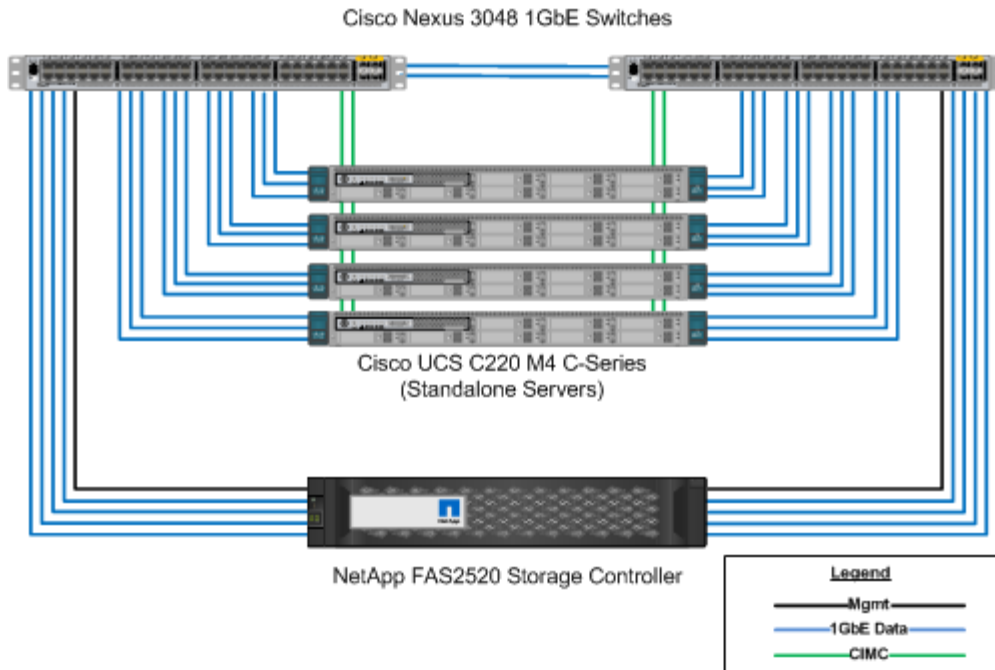
The FlexPod Express small and medium configurations include the following components:

- Two Cisco Nexus 3048 switches in a redundant configuration
- At least two Cisco UCS C-Series rack mount servers
- Two FAS2200 or FAS2500 series controllers in an HA pair configuration

The following figure illustrates the FlexPod Express small configuration.



The following figure illustrates the FlexPod Express medium configuration.

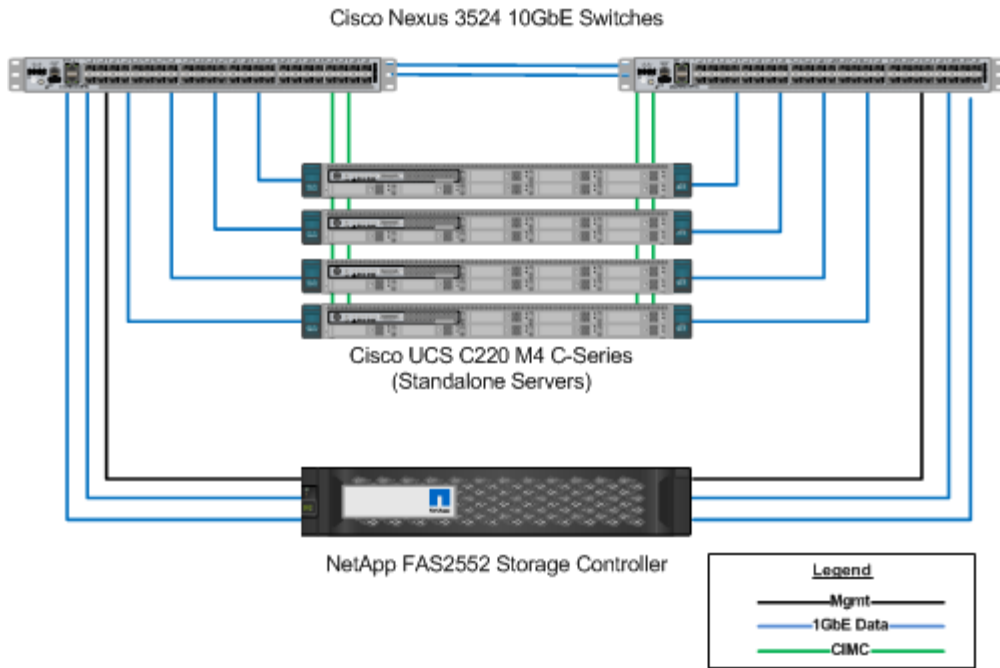


FlexPod Express large configuration

The FlexPod Express large configuration includes the following components:

- Two Cisco Nexus 3500 series or Cisco Nexus 9300 series switches in a redundant configuration
- At least two Cisco UCS C-Series rack mount servers
- Two FAS2552, FAS2554, or FAS8020 controllers in an HA pair configuration (requires two 10GbE ports per controller)
- One NetApp disk shelf with any supported disk type (when the FAS8020 is used)

The following figure illustrates the FlexPod Express large configuration.



Previous FlexPod Express verified architectures

Previous FlexPod Express verified architectures are still supported. The architecture and deployment documents include:

- [FlexPod Express with Cisco UCS C-Series and NetApp FAS2500 Series](#)
- [FlexPod Express with VMware vSphere 6.0: Small and Medium Configurations](#)
- [FlexPod Express with VMware vSphere 6.0: Large Configuration](#)
- [FlexPod Express with Microsoft Windows Server 2012 R2 Hyper-V: Small and Medium Configurations](#)
- [FlexPod Express with Microsoft Windows Server 2012 R2 Hyper-V: Large Configuration](#)

Previous hardware

The following table lists the hardware used in previous FlexPod Express architectures.

Hardware used in previous architectures	Technical specifications (if available)
Cisco UCS C220 M3	http://www.cisco.com/c/en/us/products/collateral/servers-unified-computing/ucs-c220-m3-rack-server/data_sheet_c78-700626.html
Cisco UCS C24 M3	http://www.cisco.com/en/US/prod/collateral/ps10265/ps10493/data_sheet_c78-706103.html
Cisco UCS C22 M3	http://www.cisco.com/en/US/prod/collateral/ps10265/ps10493/data_sheet_c78-706101.html
Cisco UCS C240 M3	http://www.cisco.com/c/en/us/products/collateral/servers-unified-computing/ucs-c240-m3-rack-server/data_sheet_c78-700629.html

Hardware used in previous architectures	Technical specifications (if available)
Cisco UCS C260 M2	http://www.cisco.com/en/US/prod/collateral/ps10265/ps10493/c260m2_specsheet.pdf
Cisco UCS C420 M3	http://www.cisco.com/en/US/products/ps12770/index.html
Cisco UCS C460 M2	http://www.cisco.com/en/US/prod/collateral/ps10265/ps10493/ps11587/spec_sheet_c17-662220.pdf
Cisco UCS B200 M3	http://www.cisco.com/c/en/us/products/collateral/servers-unified-computing/ucs-b200-m3-blade-server/data_sheet_c78-700625.html
Cisco UCS B420 M3	N/A
Cisco UCS B22 M3	http://www.cisco.com/c/dam/en/us/products/collateral/servers-unified-computing/ucs-b-series-blade-servers/b22m3_specsheet.pdf
Cisco Nexus 3524	http://www.cisco.com/c/en/us/products/switches/nexus-3524-switch/index.html
FAS2240	
FAS2220	http://www.netapp.com/us/products/storage-systems/fas2200/fas2200-tech-specs.aspx
DS4243	N/A

Copyright Information

Copyright © 2021 NetApp, Inc. All rights reserved. Printed in the U.S. No part of this document covered by copyright may be reproduced in any form or by any means-graphic, electronic, or mechanical, including photocopying, recording, taping, or storage in an electronic retrieval system-without prior written permission of the copyright owner.

Software derived from copyrighted NetApp material is subject to the following license and disclaimer:

THIS SOFTWARE IS PROVIDED BY NETAPP "AS IS" AND WITHOUT ANY EXPRESS OR IMPLIED WARRANTIES, INCLUDING, BUT NOT LIMITED TO, THE IMPLIED WARRANTIES OF MERCHANTABILITY AND FITNESS FOR A PARTICULAR PURPOSE, WHICH ARE HEREBY DISCLAIMED. IN NO EVENT SHALL NETAPP BE LIABLE FOR ANY DIRECT, INDIRECT, INCIDENTAL, SPECIAL, EXEMPLARY, OR CONSEQUENTIAL DAMAGES (INCLUDING, BUT NOT LIMITED TO, PROCUREMENT OF SUBSTITUTE GOODS OR SERVICES; LOSS OF USE, DATA, OR PROFITS; OR BUSINESS INTERRUPTION) HOWEVER CAUSED AND ON ANY THEORY OF LIABILITY, WHETHER IN CONTRACT, STRICT LIABILITY, OR TORT (INCLUDING NEGLIGENCE OR OTHERWISE) ARISING IN ANY WAY OUT OF THE USE OF THIS SOFTWARE, EVEN IF ADVISED OF THE POSSIBILITY OF SUCH DAMAGE.

NetApp reserves the right to change any products described herein at any time, and without notice. NetApp assumes no responsibility or liability arising from the use of products described herein, except as expressly agreed to in writing by NetApp. The use or purchase of this product does not convey a license under any patent rights, trademark rights, or any other intellectual property rights of NetApp.

The product described in this manual may be protected by one or more U.S. patents, foreign patents, or pending applications.

RESTRICTED RIGHTS LEGEND: Use, duplication, or disclosure by the government is subject to restrictions as set forth in subparagraph (c)(1)(ii) of the Rights in Technical Data and Computer Software clause at DFARS 252.277-7103 (October 1988) and FAR 52-227-19 (June 1987).

Trademark Information

NETAPP, the NETAPP logo, and the marks listed at <http://www.netapp.com/TM> are trademarks of NetApp, Inc. Other company and product names may be trademarks of their respective owners.