



# Scenarios for selecting volumes in a project

## ONTAP 7-Mode Transition

Ivana Devine, Megan Bock  
March 25, 2021

# Table of Contents

- Scenarios for selecting volumes in a project ..... 1
  - Bidirectional SnapMirror relationship ..... 1
  - Volumes with CIFS configuration ..... 1
  - SnapMirror relationship between a primary volume and multiple secondary volumes ..... 2

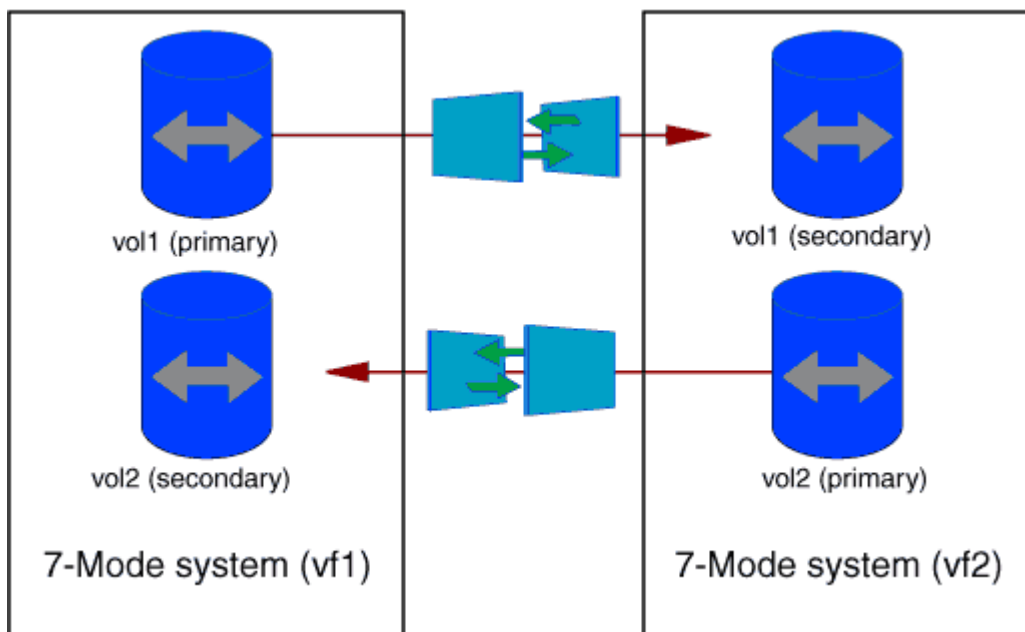
# Scenarios for selecting volumes in a project

Planning a project composition and deciding which 7-Mode volumes to transition in a single transition operation can help in reducing the downtime for applications. Understanding some sample scenarios can help you while creating projects in your environment.

## Bidirectional SnapMirror relationship

To transition a bidirectional SnapMirror relationship, you must create different transition projects for each volume.

For example, as shown in the illustration below, consider a volume SnapMirror relationship that exists between vf1:vol1 (primary) on system1 and vf2:vol1 (secondary) on system2. Similarly, another volume SnapMirror relationship exists between vf2:vol2 (primary) on system2 and vf1:vol2 (secondary) on system1.



You cannot combine the volumes vf1:vol1 and vf1:vol2 in one transition project. Similarly, you cannot combine the volumes vf2:vol1 and vf2:vol2 in one transition project. You must create separate transition projects for each volume to transition the volume SnapMirror relationship.

## Volumes with CIFS configuration

You must group volumes that have CIFS configuration in one project so that all the CIFS-related configuration is transitioned completely to the SVM.

For example, if 10 volumes in a 7-Mode system or a vFiler unit have associated CIFS shares, home-directory search path, and audit configuration, these 10 volumes must be transitioned in one project. This ensures that all the volumes and CIFS configuration are completely applied on the SVM after transition.

## **SnapMirror relationship between a primary volume and multiple secondary volumes**

If a SnapMirror relationship exists between a primary volume and multiple secondary volumes and if all the secondary volumes are on the same 7-Mode controller, you can create a secondary project to group all the secondary volumes and complete the transition of all secondary volumes in that project. You can then create a primary project to transition the primary volume and complete the SnapMirror transition.

## Copyright Information

Copyright © 2021 NetApp, Inc. All rights reserved. Printed in the U.S. No part of this document covered by copyright may be reproduced in any form or by any means-graphic, electronic, or mechanical, including photocopying, recording, taping, or storage in an electronic retrieval system- without prior written permission of the copyright owner.

Software derived from copyrighted NetApp material is subject to the following license and disclaimer:

THIS SOFTWARE IS PROVIDED BY NETAPP "AS IS" AND WITHOUT ANY EXPRESS OR IMPLIED WARRANTIES, INCLUDING, BUT NOT LIMITED TO, THE IMPLIED WARRANTIES OF MERCHANTABILITY AND FITNESS FOR A PARTICULAR PURPOSE, WHICH ARE HEREBY DISCLAIMED. IN NO EVENT SHALL NETAPP BE LIABLE FOR ANY DIRECT, INDIRECT, INCIDENTAL, SPECIAL, EXEMPLARY, OR CONSEQUENTIAL DAMAGES (INCLUDING, BUT NOT LIMITED TO, PROCUREMENT OF SUBSTITUTE GOODS OR SERVICES; LOSS OF USE, DATA, OR PROFITS; OR BUSINESS INTERRUPTION) HOWEVER CAUSED AND ON ANY THEORY OF LIABILITY, WHETHER IN CONTRACT, STRICT LIABILITY, OR TORT (INCLUDING NEGLIGENCE OR OTHERWISE) ARISING IN ANY WAY OUT OF THE USE OF THIS SOFTWARE, EVEN IF ADVISED OF THE POSSIBILITY OF SUCH DAMAGE.

NetApp reserves the right to change any products described herein at any time, and without notice. NetApp assumes no responsibility or liability arising from the use of products described herein, except as expressly agreed to in writing by NetApp. The use or purchase of this product does not convey a license under any patent rights, trademark rights, or any other intellectual property rights of NetApp.

The product described in this manual may be protected by one or more U.S. patents, foreign patents, or pending applications.

RESTRICTED RIGHTS LEGEND: Use, duplication, or disclosure by the government is subject to restrictions as set forth in subparagraph (c)(1)(ii) of the Rights in Technical Data and Computer Software clause at DFARS 252.277-7103 (October 1988) and FAR 52-227-19 (June 1987).

## Trademark Information

NETAPP, the NETAPP logo, and the marks listed at <http://www.netapp.com/TM> are trademarks of NetApp, Inc. Other company and product names may be trademarks of their respective owners.