



Example of switch zoning in a two-node MetroCluster configuration with array LUNs

ONTAP MetroCluster

netapp-ivanad, ntap-bmegan
April 12, 2021

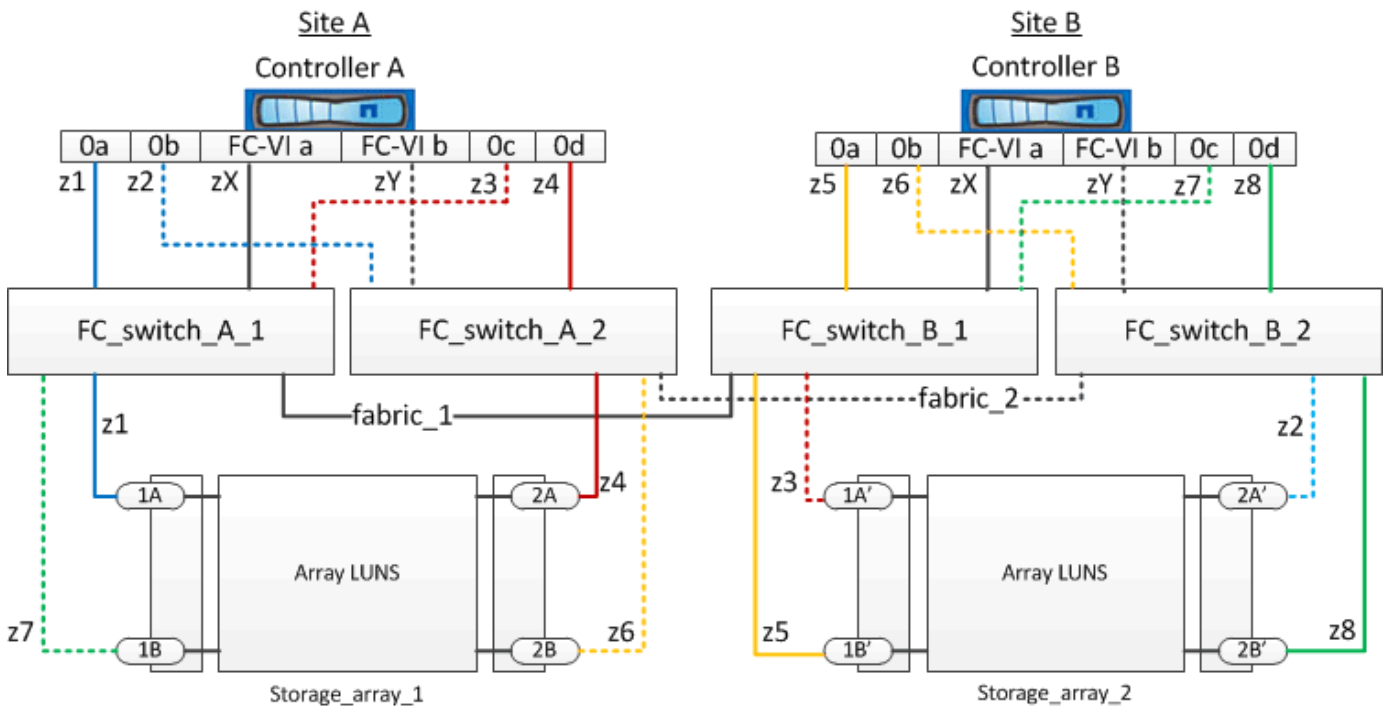
Table of Contents

Example of switch zoning in a two-node MetroCluster configuration with array LUNs 1

Example of switch zoning in a two-node MetroCluster configuration with array LUNs

Switch zoning defines paths between connected nodes. Configuring the zoning enables you to define which array LUNs can be viewed by specific ONTAP systems.

You can use the following example as a reference when determining zoning for a two-node fabric-attached MetroCluster configuration with array LUNs:



The example shows single-initiator to single-target zoning for the MetroCluster configurations. The lines in the example represent zones rather than connections; each line is labeled with its zone number.

In the example, array LUNs are allocated on each storage array. LUNs of equal size are provisioned on the storage arrays at both sites, which is a SyncMirror requirement. Each ONTAP system has two paths to array LUNs. The ports on the storage array are redundant.

The redundant array port pairs for both the sites are as follows:

- Storage array at Site A:
 - Ports 1A and 2A
 - Ports 1B and 2B
- Storage array at Site B:
 - Ports 1A' and 2A'
 - Ports 1B' and 2B'

The redundant port pairs on each storage array form alternate paths. Therefore, both the ports of the port pairs can access the LUNs on the respective storage arrays.

The following table shows the zones for the illustrations:

Zone	ONTAP controller and initiator port	Storage array port
FC_switch_A_1		
z1	Controller A: Port 0a	Port 1A
z3	Controller A: Port 0c	Port 1A'
FC_switch_A_2		
z2	Controller A: Port 0b	Port 2A'
z4	Controller A: Port 0d	Port 2A
FC_switch_B_1		
z5	Controller B: Port 0a	Port 1B'
z7	Controller B: Port 0c	Port 1B
FC_switch_B_2		
z6	Controller B: Port 0b	Port 2B
z8	Controller B: Port 0d	Port 2B'

The following table shows the zones for the FC-VI connections:

Zone	ONTAP controller and initiator port	Switch
Site A		
zX	Controller A: Port FC-VI a	FC_switch_A_1
zY	Controller A: Port FC-VI b	FC_switch_A_2
Site B		
zX	Controller B: Port FC-VI a	FC_switch_B_1
zY	Controller B: Port FC-VI b	FC_switch_B_2

Related information

Requirements for switch zoning in a MetroCluster configuration with array LUNs

Example of switch zoning in a four-node MetroCluster configuration with array LUNs

Example of switch zoning in an eight-node MetroCluster configuration with array LUNs

Copyright Information

Copyright © 2021 NetApp, Inc. All rights reserved. Printed in the U.S. No part of this document covered by copyright may be reproduced in any form or by any means-graphic, electronic, or mechanical, including photocopying, recording, taping, or storage in an electronic retrieval system- without prior written permission of the copyright owner.

Software derived from copyrighted NetApp material is subject to the following license and disclaimer:

THIS SOFTWARE IS PROVIDED BY NETAPP "AS IS" AND WITHOUT ANY EXPRESS OR IMPLIED WARRANTIES, INCLUDING, BUT NOT LIMITED TO, THE IMPLIED WARRANTIES OF MERCHANTABILITY AND FITNESS FOR A PARTICULAR PURPOSE, WHICH ARE HEREBY DISCLAIMED. IN NO EVENT SHALL NETAPP BE LIABLE FOR ANY DIRECT, INDIRECT, INCIDENTAL, SPECIAL, EXEMPLARY, OR CONSEQUENTIAL DAMAGES (INCLUDING, BUT NOT LIMITED TO, PROCUREMENT OF SUBSTITUTE GOODS OR SERVICES; LOSS OF USE, DATA, OR PROFITS; OR BUSINESS INTERRUPTION) HOWEVER CAUSED AND ON ANY THEORY OF LIABILITY, WHETHER IN CONTRACT, STRICT LIABILITY, OR TORT (INCLUDING NEGLIGENCE OR OTHERWISE) ARISING IN ANY WAY OUT OF THE USE OF THIS SOFTWARE, EVEN IF ADVISED OF THE POSSIBILITY OF SUCH DAMAGE.

NetApp reserves the right to change any products described herein at any time, and without notice. NetApp assumes no responsibility or liability arising from the use of products described herein, except as expressly agreed to in writing by NetApp. The use or purchase of this product does not convey a license under any patent rights, trademark rights, or any other intellectual property rights of NetApp.

The product described in this manual may be protected by one or more U.S. patents, foreign patents, or pending applications.

RESTRICTED RIGHTS LEGEND: Use, duplication, or disclosure by the government is subject to restrictions as set forth in subparagraph (c)(1)(ii) of the Rights in Technical Data and Computer Software clause at DFARS 252.277-7103 (October 1988) and FAR 52-227-19 (June 1987).

Trademark Information

NETAPP, the NETAPP logo, and the marks listed at <http://www.netapp.com/TM> are trademarks of NetApp, Inc. Other company and product names may be trademarks of their respective owners.