



Examples of two-node stretch MetroCluster configurations with disks and array LUNs

ONTAP MetroCluster

Ivana Devine, John Tures, Martin Houser, Ranu Kundu
August 20, 2021

This PDF was generated from https://docs.netapp.com/us-en/ontap-metrocluster/install-stretch/reference_examples_of_two_node_stretch_mcc_configurations_with_disks_and_array_luns.html on September 24, 2021. Always check docs.netapp.com for the latest.

Table of Contents

Examples of two-node stretch MetroCluster configurations with disks and array LUNs 1

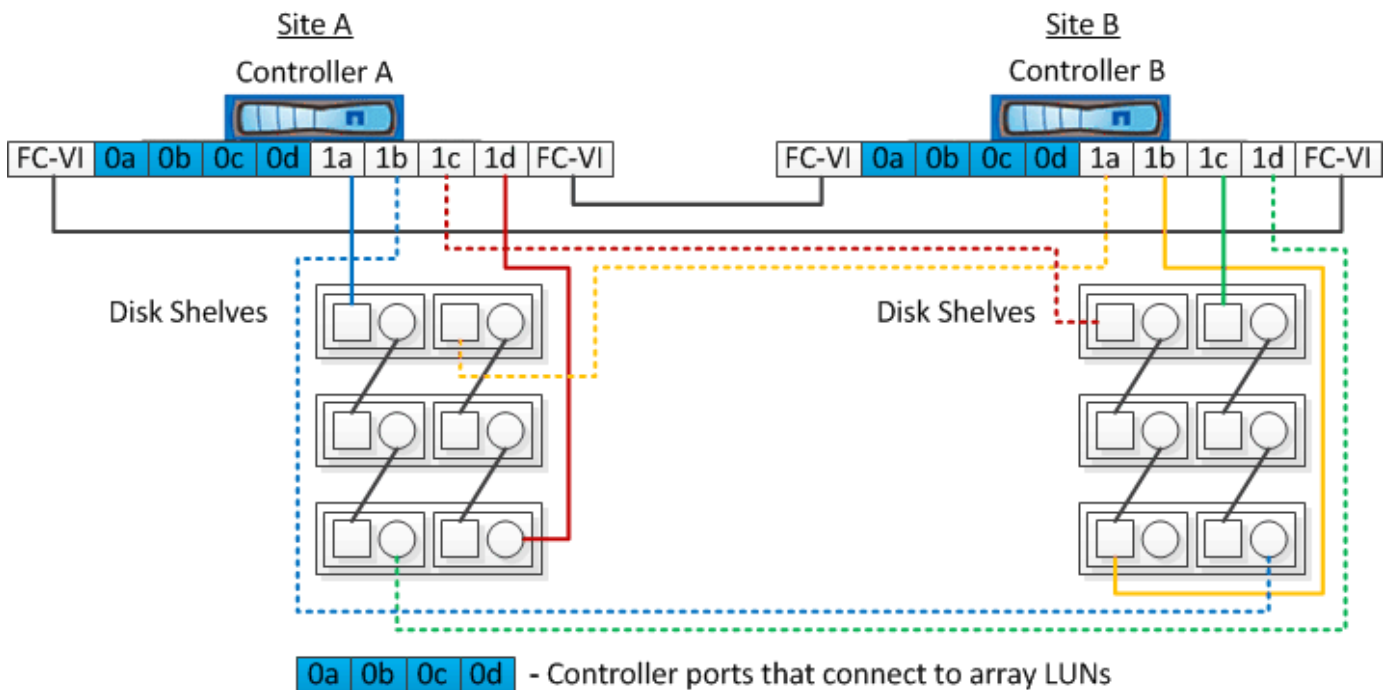
Examples of two-node stretch MetroCluster configurations with disks and array LUNs

For setting up a stretch MetroCluster configuration with native disks and array LUNs, you must use either FC-to-SAS bridges or SAS optical cables to connect the ONTAP systems to the disk shelves. In addition FC switches must be used for connecting array LUNs to the ONTAP systems.

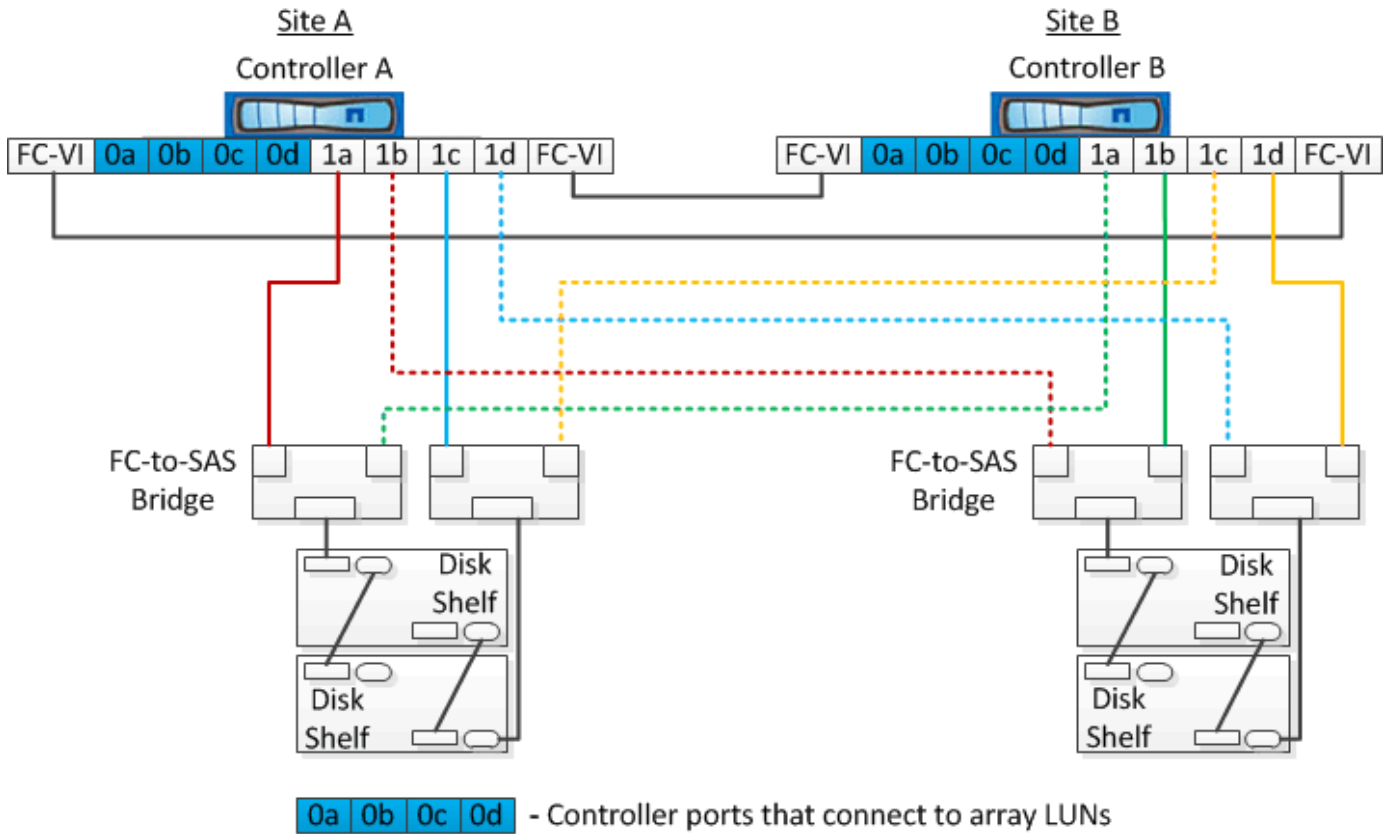
A minimum of eight HBA ports are required for an ONTAP system to connect to both native disks and array LUNs.

In the following examples representing two-node stretch MetroCluster configurations with disks and array LUNs, HBA ports 0a through 0d are used for connection with array LUNs. HBA ports 1a through 1d are used for connections with native disks.

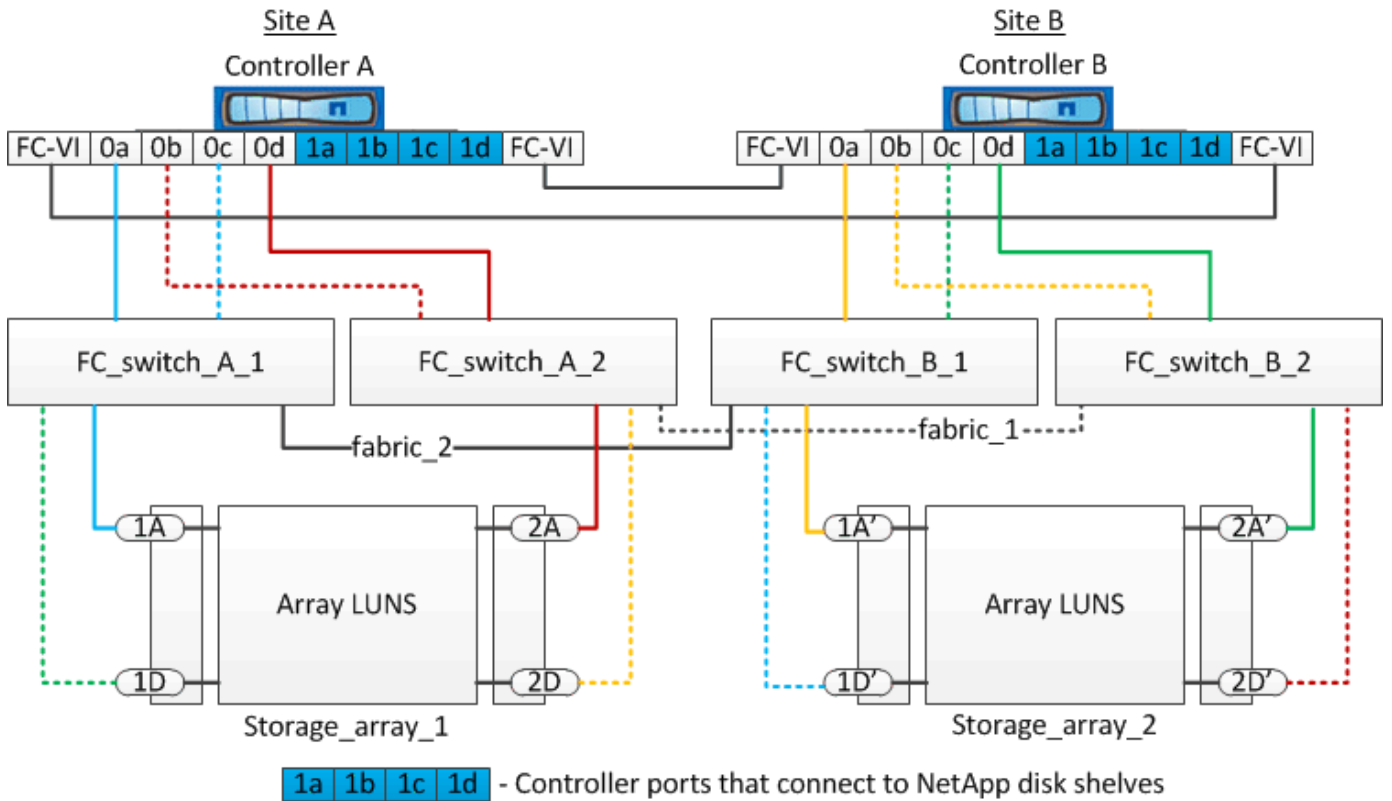
The following illustration shows a two-node stretch MetroCluster configuration in which the native disks are connected to the ONTAP systems using SAS optical cables:



The following illustration shows a two-node stretch MetroCluster configuration in which the native disks are connected to the ONTAP systems using FC-to-SAS bridges:



The following illustration shows a two-node stretch MetroCluster configuration with the array LUN connections:



If required, you can also use the same FC switches to connect both native disks and array LUNs to the controllers in the MetroCluster configuration.

Copyright Information

Copyright © 2021 NetApp, Inc. All rights reserved. Printed in the U.S. No part of this document covered by copyright may be reproduced in any form or by any means-graphic, electronic, or mechanical, including photocopying, recording, taping, or storage in an electronic retrieval system- without prior written permission of the copyright owner.

Software derived from copyrighted NetApp material is subject to the following license and disclaimer:

THIS SOFTWARE IS PROVIDED BY NETAPP "AS IS" AND WITHOUT ANY EXPRESS OR IMPLIED WARRANTIES, INCLUDING, BUT NOT LIMITED TO, THE IMPLIED WARRANTIES OF MERCHANTABILITY AND FITNESS FOR A PARTICULAR PURPOSE, WHICH ARE HEREBY DISCLAIMED. IN NO EVENT SHALL NETAPP BE LIABLE FOR ANY DIRECT, INDIRECT, INCIDENTAL, SPECIAL, EXEMPLARY, OR CONSEQUENTIAL DAMAGES (INCLUDING, BUT NOT LIMITED TO, PROCUREMENT OF SUBSTITUTE GOODS OR SERVICES; LOSS OF USE, DATA, OR PROFITS; OR BUSINESS INTERRUPTION) HOWEVER CAUSED AND ON ANY THEORY OF LIABILITY, WHETHER IN CONTRACT, STRICT LIABILITY, OR TORT (INCLUDING NEGLIGENCE OR OTHERWISE) ARISING IN ANY WAY OUT OF THE USE OF THIS SOFTWARE, EVEN IF ADVISED OF THE POSSIBILITY OF SUCH DAMAGE.

NetApp reserves the right to change any products described herein at any time, and without notice. NetApp assumes no responsibility or liability arising from the use of products described herein, except as expressly agreed to in writing by NetApp. The use or purchase of this product does not convey a license under any patent rights, trademark rights, or any other intellectual property rights of NetApp.

The product described in this manual may be protected by one or more U.S. patents, foreign patents, or pending applications.

RESTRICTED RIGHTS LEGEND: Use, duplication, or disclosure by the government is subject to restrictions as set forth in subparagraph (c)(1)(ii) of the Rights in Technical Data and Computer Software clause at DFARS 252.277-7103 (October 1988) and FAR 52-227-19 (June 1987).

Trademark Information

NETAPP, the NETAPP logo, and the marks listed at <http://www.netapp.com/TM> are trademarks of NetApp, Inc. Other company and product names may be trademarks of their respective owners.