



# **Cabling a FibreBridge 7600N or 7500N bridge with disk shelves using IOM12 modules**

**ONTAP MetroCluster**

netapp-ivanad, ntap-bmegan  
April 12, 2021

# Table of Contents

Cabling a FibreBridge 7600N or 7500N bridge with disk shelves using IOM12 modules ..... 1

# Cabling a FibreBridge 7600N or 7500N bridge with disk shelves using IOM12 modules

After configuring the bridge, you can start cabling your new system.

For disk shelves, you insert a SAS cable connector with the pull tab oriented down (on the underside of the connector).

## Steps

1. Daisy-chain the disk shelves in each stack:
  - a. Beginning with the logical first shelf in the stack, connect IOM A port 3 to the next shelf's IOM A port 1 until each IOM A in the stack is connected.
  - b. Repeat the previous substep for IOM B.
  - c. Repeat the previous substeps for each stack.

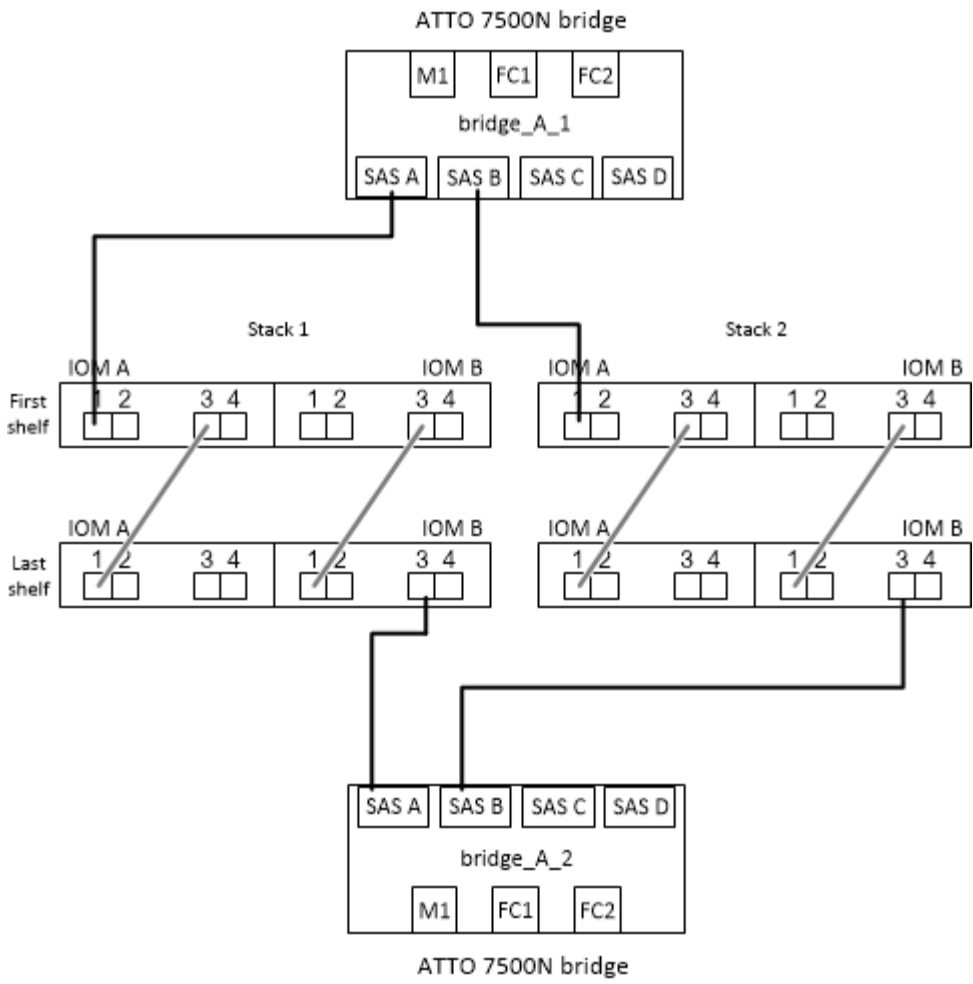
The *Installation and Service Guide* for your disk shelf model provides detailed information about daisy-chaining disk shelves.

2. Power on the disk shelves, and then set the shelf IDs.
  - You must power-cycle each disk shelf.
  - Shelf IDs must be unique for each SAS disk shelf within each MetroCluster DR group (including both sites).
3. Cable disk shelves to the FibreBridge bridges.
  - a. For the first stack of disk shelves, cable IOM A of the first shelf to SAS port A on FibreBridge A, and cable IOM B of the last shelf to SAS port A on FibreBridge B.
  - b. For additional shelf stacks, repeat the previous step using the next available SAS port on the FibreBridge bridges, using port B for the second stack, port C for the third stack, and port D for the fourth stack.
  - c. During cabling, attach the stacks based on IOM12 and IOM3/IOM6 modules to the same bridge as long as they are connected to separate SAS ports.



Each stack can use different models of IOM, but all disk shelves within a stack must use the same model.

The following illustration shows disk shelves connected to a pair of FibreBridge 7600N or 7500N bridges:



## Copyright Information

Copyright © 2021 NetApp, Inc. All rights reserved. Printed in the U.S. No part of this document covered by copyright may be reproduced in any form or by any means-graphic, electronic, or mechanical, including photocopying, recording, taping, or storage in an electronic retrieval system- without prior written permission of the copyright owner.

Software derived from copyrighted NetApp material is subject to the following license and disclaimer:

THIS SOFTWARE IS PROVIDED BY NETAPP "AS IS" AND WITHOUT ANY EXPRESS OR IMPLIED WARRANTIES, INCLUDING, BUT NOT LIMITED TO, THE IMPLIED WARRANTIES OF MERCHANTABILITY AND FITNESS FOR A PARTICULAR PURPOSE, WHICH ARE HEREBY DISCLAIMED. IN NO EVENT SHALL NETAPP BE LIABLE FOR ANY DIRECT, INDIRECT, INCIDENTAL, SPECIAL, EXEMPLARY, OR CONSEQUENTIAL DAMAGES (INCLUDING, BUT NOT LIMITED TO, PROCUREMENT OF SUBSTITUTE GOODS OR SERVICES; LOSS OF USE, DATA, OR PROFITS; OR BUSINESS INTERRUPTION) HOWEVER CAUSED AND ON ANY THEORY OF LIABILITY, WHETHER IN CONTRACT, STRICT LIABILITY, OR TORT (INCLUDING NEGLIGENCE OR OTHERWISE) ARISING IN ANY WAY OUT OF THE USE OF THIS SOFTWARE, EVEN IF ADVISED OF THE POSSIBILITY OF SUCH DAMAGE.

NetApp reserves the right to change any products described herein at any time, and without notice. NetApp assumes no responsibility or liability arising from the use of products described herein, except as expressly agreed to in writing by NetApp. The use or purchase of this product does not convey a license under any patent rights, trademark rights, or any other intellectual property rights of NetApp.

The product described in this manual may be protected by one or more U.S. patents, foreign patents, or pending applications.

RESTRICTED RIGHTS LEGEND: Use, duplication, or disclosure by the government is subject to restrictions as set forth in subparagraph (c)(1)(ii) of the Rights in Technical Data and Computer Software clause at DFARS 252.277-7103 (October 1988) and FAR 52-227-19 (June 1987).

## Trademark Information

NETAPP, the NETAPP logo, and the marks listed at <http://www.netapp.com/TM> are trademarks of NetApp, Inc. Other company and product names may be trademarks of their respective owners.