



Pre-installation checklist

ONTAP Select

NetApp
May 07, 2026

Table of Contents

- Pre-installation checklist 1
 - Host preparation checklist 1
 - KVM host configuration and preparation checklist for ONTAP Select 1
 - ESXi host configuration and preparation checklist for ONTAP Select 8
- Required information for ONTAP Select Deploy utility installation 11
 - Required configuration information 11
 - Optional network configuration information 11
- Required information for ONTAP Select installation 12
 - Cluster-level information 12
 - Host-level information 12
- Configure an ONTAP Select host to use NVMe drives 13
 - Step 1: Configure the host 13
 - Step 2: Install the ONTAP Select Deploy utility 16

Pre-installation checklist

Host preparation checklist

KVM host configuration and preparation checklist for ONTAP Select

Prepare each KVM hypervisor host where an ONTAP Select node is deployed. As you prepare the hosts, you carefully assess the deployment environment to make sure that the hosts are correctly configured and ready to support the deployment of an ONTAP Select cluster.



The ONTAP Select Deploy administration utility doesn't perform the required network and storage configuration of the hypervisor hosts. You must manually prepare each host before deploying an ONTAP Select cluster.

Step 1: Prepare the KVM hypervisor host

You need to prepare each of the Linux KVM servers where an ONTAP Select node is deployed. You must also prepare the server where the ONTAP Select Deploy administration utility is deployed.

Steps

1. Install Red Hat Enterprise Linux (RHEL).

Install the RHEL operating system using the ISO image. Refer to the [software compatibility information for hypervisors](#) for a list of the supported RHEL versions. During installation, configure the system as follows:

- a. Select Default as the security policy.
- b. Choose the Virtualized Host software selection.
- c. Verify that the destination is the local boot disk and not a RAID LUN used by ONTAP Select.
- d. Verify that the host management interface is up after you boot the system.



You can edit the correct network configuration file under `/etc/sysconfig/network-scripts` and then bring up the interface by using the `ifup` command.

2. Install additional packages required for ONTAP Select.

ONTAP Select requires several additional software packages. The exact list of packages varies based on the version of Linux that you're using. As a first step, verify that the yum repository is available on your server. If it isn't available, you can retrieve it by using the `wget your_repository_location` command.



Some of the required packages might already be installed if you chose Virtualized Host for the software selection during installation of the Linux server. You might need to install the `openvswitch` package from source code as described in the [Open vSwitch documentation](#).

For additional information about the necessary packages and other configuration requirements, refer to the [Interoperability Matrix Tool](#).

3. Configure PCI passthrough for NVMe disks.

If you're using NVMe disks in your configuration, you need to configure PCI passthrough (DirectPath IO) to provide direct access for the KVM host to the locally attached NVMe disks in the ONTAP Select cluster. You need direct access to perform the following tasks:

- [Configure the KVM host to use NVMe drives](#)
- [Use software RAID after you deploy the cluster](#)

Refer to the [Red Hat Documentation](#) for instructions on how to configure PCI passthrough (DirectPath IO) for a KVM hypervisor.

4. Configure the storage pools.

An ONTAP Select storage pool is a logical data container that abstracts the underlying physical storage. You must manage the storage pools on the KVM hosts where ONTAP Select is deployed.

Step 2: Create a storage pool

Create at least one storage pool at each ONTAP Select node. If you use software RAID instead of a local hardware RAID, storage disks are attached to the node for the root and data aggregates. In this case, you must still create a storage pool for the system data.

Before you begin

Verify that you can sign in to the Linux CLI on the host where ONTAP Select is deployed.

About this task

The ONTAP Select Deploy administration utility expects the target location for the storage pool to be specified as `/dev/<pool_name>`, where `<pool_name>` is a unique pool name on the host.



The entire capacity of the LUN is allocated when a storage pool is created.

Steps

1. Display the local devices on the Linux host and choose the LUN that will contain the storage pool:

```
lsblk
```

The appropriate LUN is likely to be the device with the largest storage capacity.

2. Define the storage pool on the device:

```
virsh pool-define-as <pool_name> logical --source-dev <device_name>  
--target=/dev/<pool_name>
```

For example:

```
virsh pool-define-as select_pool logical --source-dev /dev/sdb
--target=/dev/select_pool
```

3. Build the storage pool:

```
virsh pool-build <pool_name>
```

4. Start the storage pool:

```
virsh pool-start <pool_name>
```

5. Configure the storage pool to automatically start at system boot:

```
virsh pool-autostart <pool_name>
```

6. Verify that the storage pool has been created:

```
virsh pool-list
```

Step 3: Optionally, delete a storage pool

You can delete a storage pool when it's no longer needed.

Before you begin

Verify that you can sign in to the Linux CLI where ONTAP Select is deployed.

About this task

The ONTAP Select Deploy administration utility expects the target location for the storage pool to be specified as `/dev/<pool_name>`, where `<pool_name>` is a unique pool name on the host.

Steps

1. Verify that the storage pool is defined:

```
virsh pool-list
```

2. Destroy the storage pool:

```
virsh pool-destroy <pool_name>
```

3. Undefine the configuration for the inactive storage pool:

```
virsh pool-undefine <pool_name>
```

4. Verify that the storage pool has been removed from the host:

```
virsh pool-list
```

5. Verify that all logical volumes for the storage pool volume group have been deleted.

- a. Display the logical volumes:

```
lvs
```

- b. If any logical volumes exist for the pool, delete them:

```
lvremove <logical_volume_name>
```

6. Verify that the volume group has been deleted:

- a. Display the volume groups:

```
vgs
```

- b. If a volume group exists for the pool, delete it:

```
vgremove <volume_group_name>
```

7. Verify that the physical volume has been deleted:

- a. Display the physical volumes:

```
pvs
```

- b. If a physical volume exists for the pool, delete it:

```
pvremove <physical_volume_name>
```

Step 4: Review the ONTAP Select cluster configuration

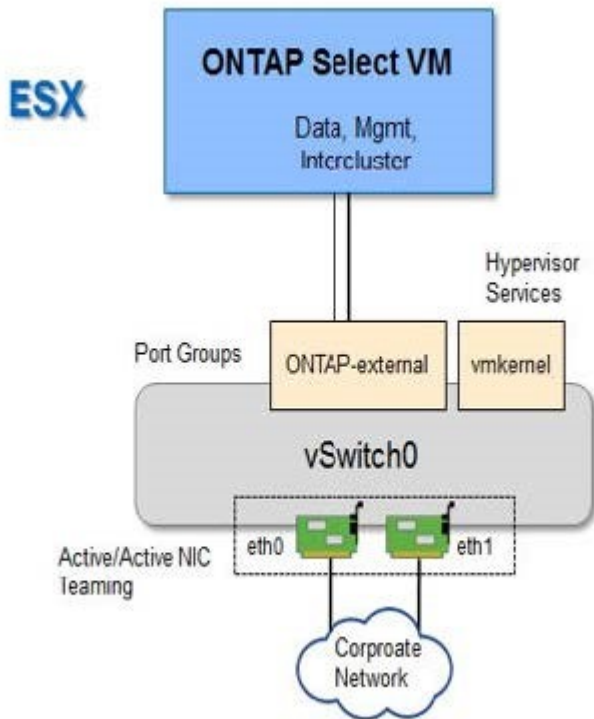
You can deploy ONTAP Select as either a multi-node cluster or a single-node cluster. In many cases, a multi-node cluster is preferable because of the additional storage capacity and high-availability (HA) capability.

The following figures illustrate the ONTAP Select networks used with a single-node cluster and four-node

cluster for an ESXi host.

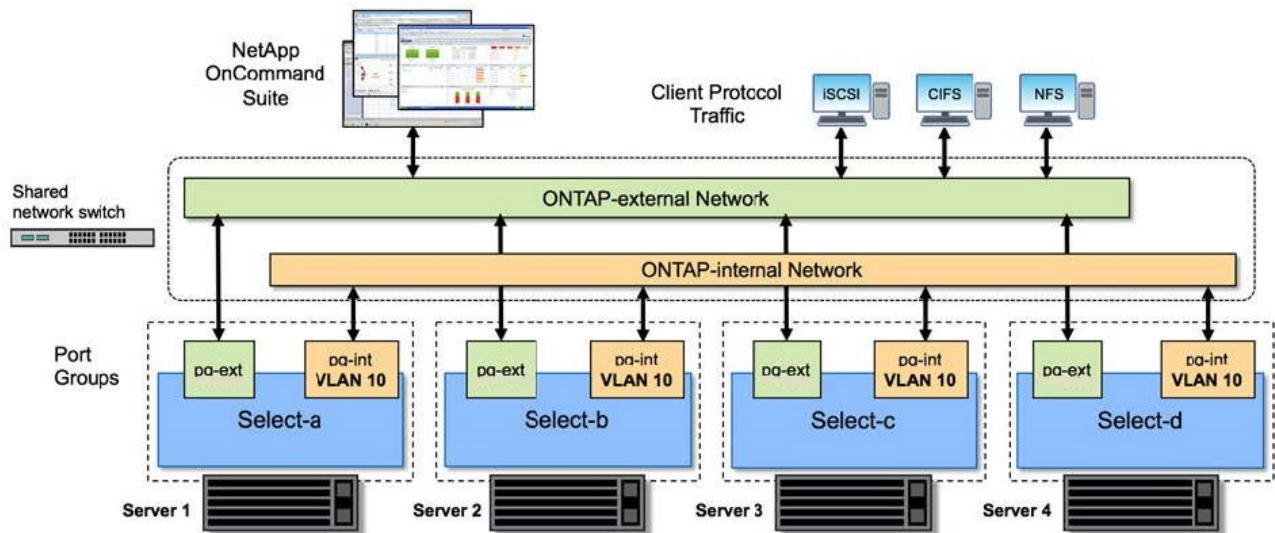
Single-node cluster

The following figure illustrates a single-node cluster. The external network carries client, management, and cross-cluster replication traffic (SnapMirror/SnapVault).



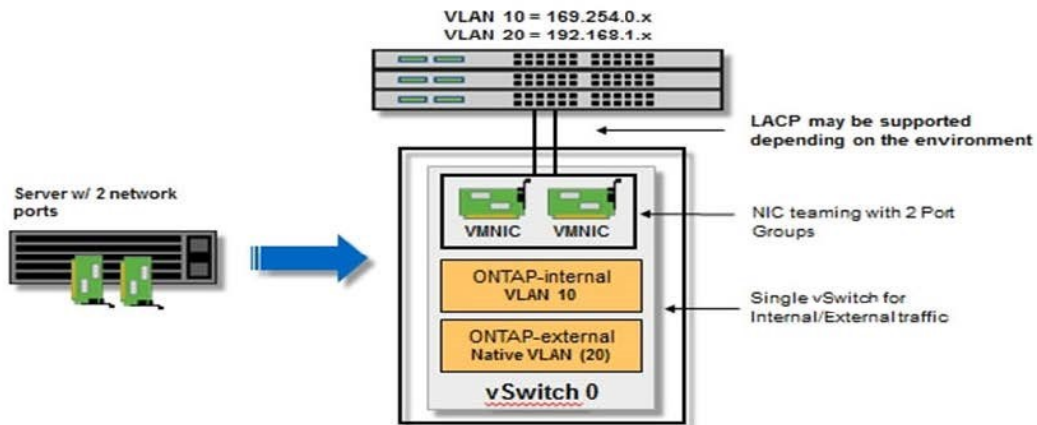
Four-node cluster

The following figure illustrates a four-node cluster showing two networks. The internal network enables communication among the nodes in support of the ONTAP cluster network services. The external network carries client, management, and cross-cluster replication traffic (SnapMirror/SnapVault).



Single node within a four-node cluster

The following figure illustrates the typical network configuration for a single ONTAP Select virtual machine within a four-node cluster. There are two separate networks: ONTAP-internal and ONTAP-external.



Step 5: Configure Open vSwitch

Use Open vSwitch to configure a software-defined switch on each KVM host node.

Before you begin

Verify that the network manager is disabled and the native Linux network service is enabled.

About this task

ONTAP Select requires two separate networks, both of which utilize port bonding to provide HA capability for the networks.

Steps

1. Verify that Open vSwitch is active on the host:
 - a. Determine if Open vSwitch is running:

```
systemctl status openvswitch
```

- b. If Open vSwitch is not running, start it:

```
systemctl start openvswitch
```

2. Display the Open vSwitch configuration:

```
ovs-vsctl show
```

The configuration appears empty if Open vSwitch has not already been configured on the host.

3. Add a new vSwitch instance:

```
ovs-vsctl add-br <bridge_name>
```

For example:

```
ovs-vsctl add-br ontap-br
```

4. Bring the network interfaces down:

```
ifdown <interface_1>  
ifdown <interface_2>
```

5. Combine the links using the Link Aggregation Control Protocol (LACP):

```
ovs-vsctl add-bond <internal_network> bond-br <interface_1>  
<interface_2> bond_mode=balance-slb lacp=active other_config:lacp-  
time=fast
```



You only need to configure a bond if there is more than one interface.

6. Bring the network interfaces up:

```
ifup <interface_1>  
ifup <interface_2>
```

ESXi host configuration and preparation checklist for ONTAP Select

Prepare each ESXi hypervisor host where an ONTAP Select node is deployed. As you prepare the hosts, you carefully assess the deployment environment to make sure that the hosts are correctly configured and ready to support the deployment of an ONTAP Select cluster.



The ONTAP Select Deploy administration utility doesn't perform the required network and storage configuration of the hypervisor hosts. You must manually prepare each host before deploying an ONTAP Select cluster.

Step 1: Prepare the ESXi hypervisor host

Verify the configuration for the ESXi host and the firewall ports.

Steps

1. Verify that each ESXi is configured with the following:
 - A pre-installed and supported hypervisor
 - A VMware vSphere license
2. Verify that the same vCenter server can manage all the hosts where an ONTAP Select node is deployed within the cluster.
3. Verify that the firewall ports are configured to allow access to vSphere. These ports must be open to support serial port connectivity to the ONTAP Select virtual machines.

Recommended

NetApp recommends that you open the following firewall ports to allow access to vSphere:

- Ports 7200 – 7400 (both inbound and outbound traffic)

Default

By default, VMware allows access on the following ports:

- Port 22 and ports 1024 – 65535 (inbound traffic)
- Ports 0 – 65535 (outbound traffic)

For more information, refer to the [Broadcom VMware vSphere documentation](#).

4. Familiarize yourself with the vCenter rights that are required. See [VMware vCenter server](#) for more information.

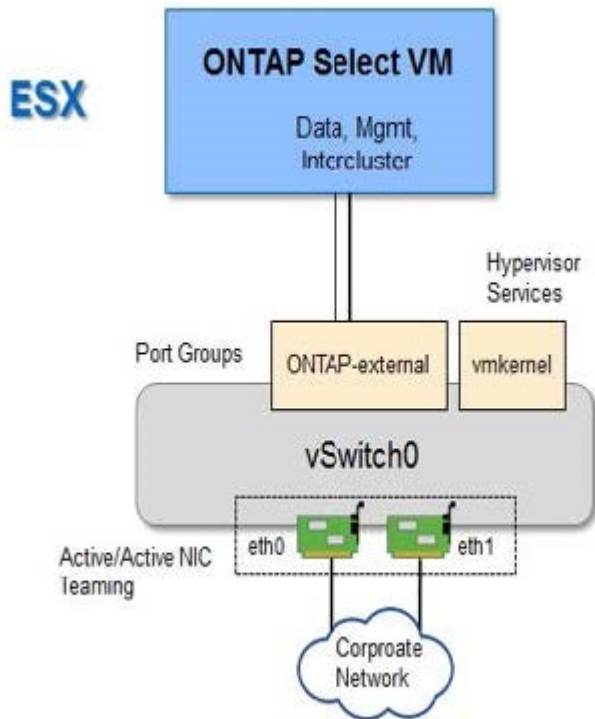
Step 2: Review the ONTAP Select cluster configuration

You can deploy ONTAP Select as either a multi-node cluster or a single-node cluster. In many cases, a multi-node cluster is preferable because of the additional storage capacity and high-availability (HA) capability.

The following figures illustrate the ONTAP Select networks used with a single-node cluster and four-node cluster.

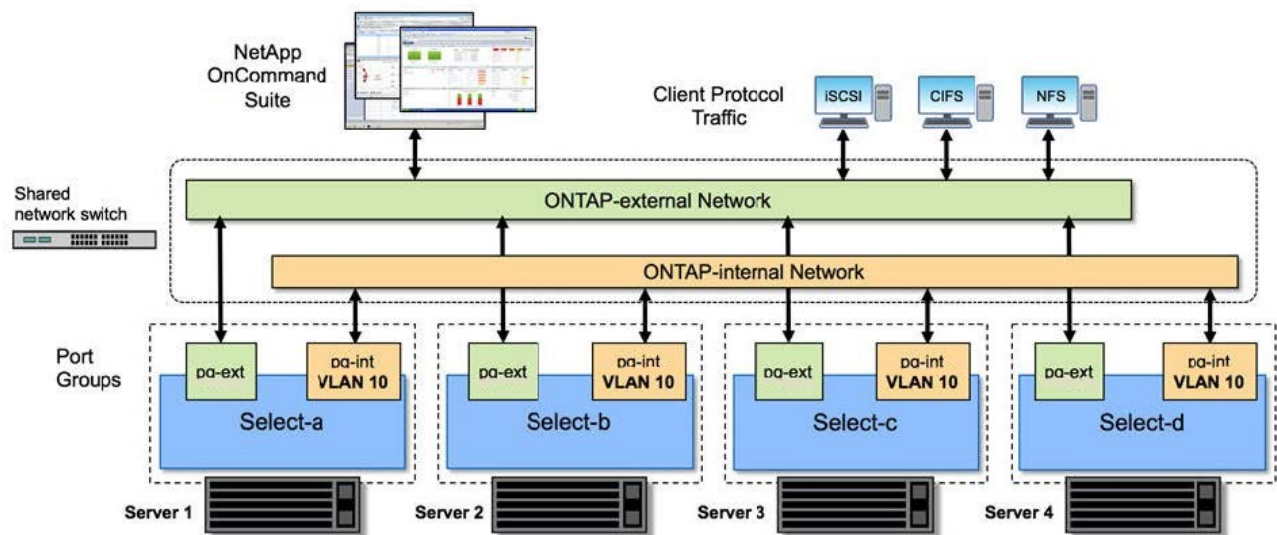
Single-node cluster

The following figure illustrates a single-node cluster. The external network carries client, management, and cross-cluster replication traffic (SnapMirror/SnapVault).



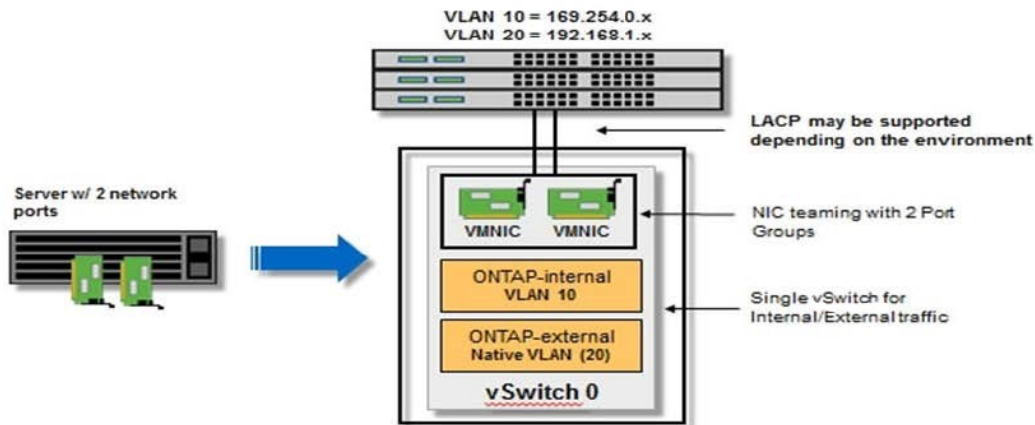
Four-node cluster

The following figure illustrates a four-node cluster showing two networks. The internal network enables communication among the nodes in support of the ONTAP cluster network services. The external network carries client, management, and cross-cluster replication traffic (SnapMirror/SnapVault).



Single node within a four-node cluster

The following figure illustrates the typical network configuration for a single ONTAP Select virtual machine within a four-node cluster. There are two separate networks: ONTAP-internal and ONTAP-external.



Required information for ONTAP Select Deploy utility installation

Before installing the Deploy administration utility in a hypervisor environment, review the required configuration information and optional network configuration information to prepare for successful deployment.

Required configuration information

As part of your deployment planning, you should determine the required configuration information before installing the ONTAP Select Deploy administration utility.

Required information	Description
Name of the Deploy virtual machine	Identifier to use for the virtual machine.
Name of the hypervisor host	Identifier for the VMware ESXi or KVM hypervisor host where the Deploy utility is installed.
Name of the data store	Identifier for the hypervisor data store holding the virtual machine files (approximately 40GB is required).
Network for the virtual machine	Identifier for the Network where the Deploy virtual machine is connected.

Optional network configuration information

The Deploy virtual machine is configured using DHCP by default. However, if needed, you can manually configure the network interface for the virtual machine.

Network information	Description
Host name	Identifier of the host machine.
Host IP address	Static IPv4 address of the host machine.
Subnet mask	Subnetwork mask, based on the network the virtual machine is a part of.
Gateway	Default gateway or router.
Primary DNS server	Primary Domain Name Server.
Secondary DNS server	Secondary Domain Name Server.
Search domains	List of the search domains to use.

Required information for ONTAP Select installation

As part of preparing to deploy an ONTAP Select cluster in a VMware environment, collect the information required when using the ONTAP Select Deploy administration utility to deploy and configure the cluster.

Some of the information you collect applies to the cluster itself, while other information applies to the individual nodes in the cluster.

Cluster-level information

You must collect information related to the ONTAP Select cluster.

Cluster information	Description
Name of the cluster	Unique identifier of the cluster.
Licensing mode	Evaluation or purchased licensing.
IP configuration for the cluster	IP configuration for the clusters and nodes, including: <ul style="list-style-type: none"> * Management IP address of the cluster * Subnet mask * Default gateway

Host-level information

You must collect information related to each of the nodes in the ONTAP Select cluster.

Cluster information	Description
Name of the host	Unique identifier of the host.
Domain name of the host	Fully qualified domain name of the host.
IP configuration for the nodes	Management IP address for each node in the cluster.
Mirror node	Name of the associated node in the HA pair (multi-node clusters only).
Storage pool	Name of the storage pool that is used.

Cluster information	Description
Storage disks	List of disks if using software RAID.
Serial number	If you are deploying with a purchased license, the unique nine-digit serial number provided by NetApp.

Configure an ONTAP Select host to use NVMe drives

If you plan to use NVMe drives with software RAID, you need to configure the ESXi or KVM host to recognize the drives.

Use VMDirectPath I/O Pass-through on the NVMe devices to maximize data efficiency. This setting exposes the drives to the ONTAP Select virtual machine, allowing ONTAP to have direct PCI access to the device.

Step 1: Configure the host

Configure the ESXi or KVM host to recognize the drives.

Before you begin

Make sure your deployment environment meets the following minimum requirements:

- For an ESXi host, ONTAP Select 9.7 or later with a supported Deploy administration utility
- For a KVM host, ONTAP Select 9.17.1 or later with a supported Deploy administration utility
- Premium XL platform license offering or a 90-day evaluation license
- The ESXi or KVM host is running a supported hypervisor version:

ESXi

ESXi is supported on the following hypervisor versions:

- VMware ESXi 9.0
- VMware ESXi 8.0 U3
- VMware ESXi 8.0 U2
- VMware ESXi 8.0 U1 (build 21495797)
- VMware ESXi 8.0 GA (build 20513097)

KVM

KVM is supported on the following hypervisor versions:

- Red Hat Enterprise Linux (RHEL) 10.1, 10.0, 9.7, 9.6, 9.5, 9.4, 9.2, 9.1, 9.0, 8.8, 8.7, and 8.6
- Rocky Linux 10.1, 10.0, 9.7, 9.6, 9.5, 9.4, 9.3, 9.2, 9.1, 9.0, 8.9, 8.8, 8.7, and 8.6

- NVMe devices conforming to specification 1.0 or later

Follow the [host preparation checklist](#), and review the required information for the [deploy utility installation](#) and the [ONTAP Select installation](#) for more information.

About this task

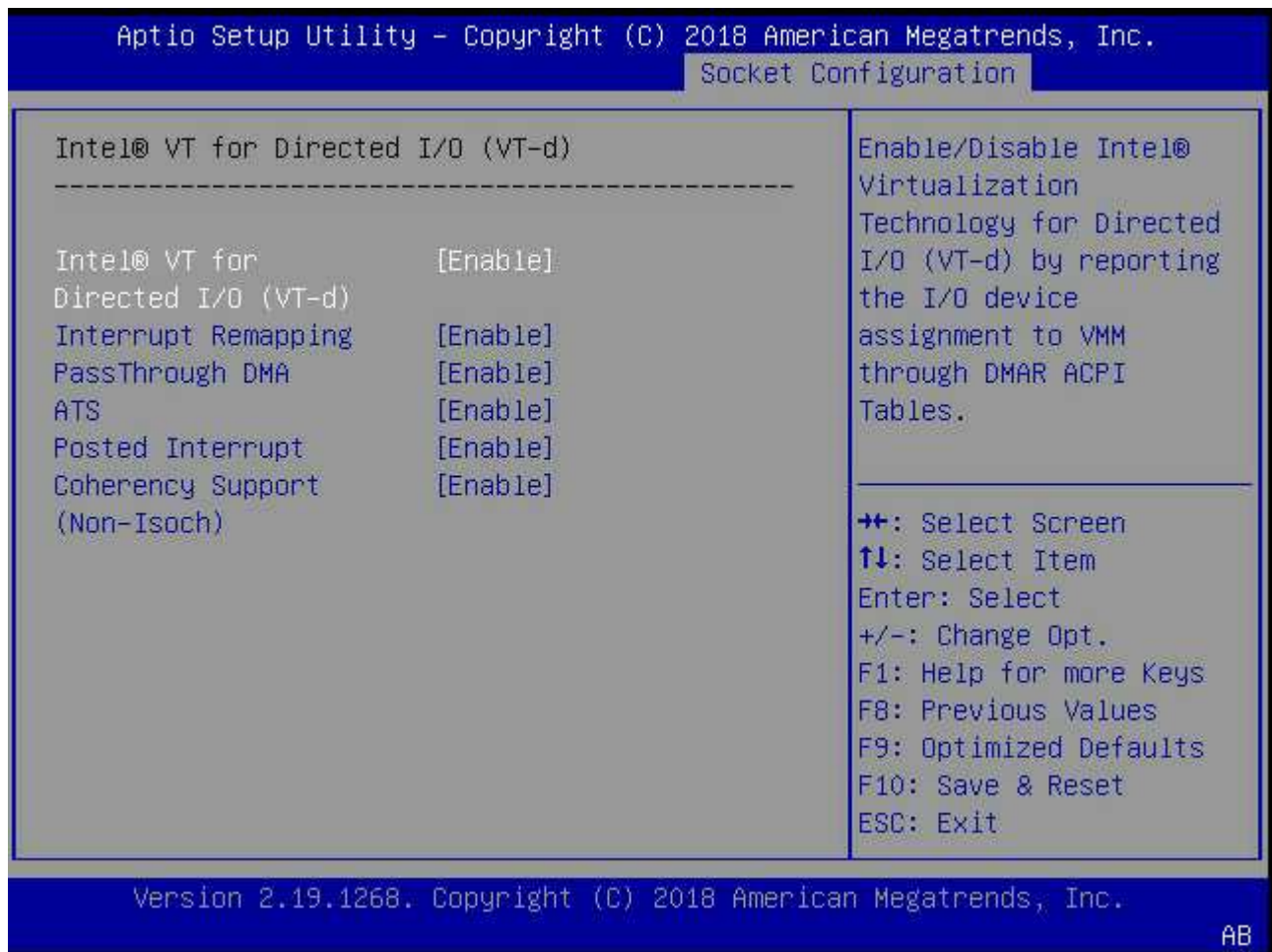
You must perform this procedure before creating a new ONTAP Select cluster. You can also perform the procedure to configure additional NVMe drives for an existing software RAID NVMe cluster. In this case, after configuring the drives, you must add them through Deploy as you would additional SSD drives. The main difference is that Deploy detects the NVMe drives and reboots the nodes. When adding NVMe drives to an existing cluster, note the following about the reboot process:

- Deploy handles the reboot orchestration.
- HA takeover and giveback is performed in an orderly fashion, but it can be time consuming to resynchronize the aggregates.
- A single-node cluster will incur downtime.

See [Increase storage capacity](#) for additional information.

Steps

1. Access the **BIOS configuration** menu on the host to enable support for I/O virtualization.
2. Enable the **Intel VT for Directed I/O (VT-d)** setting.



3. Some servers offer support for **Intel Volume Management Device (Intel VMD)**. When enabled, this makes the available NVMe devices invisible to the ESXi or KVM hypervisor; disable this option before proceeding.

4. Configure the NVMe drives for pass-through to virtual machines.

- a. In vSphere, open the host **Configure** view and select **Edit** under **Hardware: PCI devices**.
- b. Select the NVMe drives you want to use for ONTAP Select.

The following example output shows the available drives for an ESXi host:

Edit PCI Device Availability
sdot-dl380-003.gdl.englab.netapp.com
✕

ID	Status	Vendor Name	Device Name	ESX/ESXi Device
0000:36:01.0	Not Configurable	Intel Corporation	Sky Lake-E PCI Expres...	
0000:38:...	Available (pending)	Seagate Technology ...	Nytro Flash Storage	
0000:36:02.0	Not Configurable	Intel Corporation	Sky Lake-E PCI Expres...	
0000:39:...	Available (pending)	Seagate Technology ...	Nytro Flash Storage	

No items selected

CANCEL
OK



You need a VMFS datastore that is also backed by an NVMe device to host the ONTAP Select VM system disks and virtual NVRAM. Leave at least one NVMe drive available for this purpose when configuring the others for PCI pass-through.

- c. Select **OK**. The selected devices indicate **Available (pending)**.
5. Select **Reboot This Host**.

The following example output is for an ESXi host:

Configure
Permissions
VMs
Datstores
Networks
Updates

DirectPath I/O PCI Devices Available to VMs
REFRESH
EDIT...

ID	Status	Vendor Name	Device Name
0000:12:00.0	Available (pending)	Seagate Technology PLC	Nytro Flash Storage
0000:13:00.0	Available (pending)	Seagate Technology PLC	Nytro Flash Storage
0000:14:00.0	Available (pending)	Seagate Technology PLC	Nytro Flash Storage
0000:15:00.0	Available (pending)	Seagate Technology PLC	Nytro Flash Storage
0000:37:00.0	Available (pending)	Seagate Technology PLC	Nytro Flash Storage
0000:38:00.0	Available (pending)	Seagate Technology PLC	Nytro Flash Storage

7 devices will become available when this host is rebooted.
Reboot This Host

Step 2: Install the ONTAP Select Deploy utility

After the hosts are prepared, you can install the ONTAP Select Deploy utility. Deploy guides you through creating ONTAP Select storage clusters on your newly prepared hosts. During this process, Deploy detects the presence of the NVMe drives configured for pass-through and automatically selects them for use as ONTAP data disks. You can adjust the default selection if needed.



A maximum of 14 NVMe devices are supported for each ONTAP Select node.

The following example output is for an ESXi host:

The screenshot shows the ONTAP Select Deploy utility interface. The top navigation bar includes 'Clusters', 'Hypervisor Hosts', and 'Administration'. The 'Storage' section is active, showing 'Storage Configuration' with 'RAID Type' set to 'Software RAID' and 'Data Disk Type' set to 'NVME'. Below this, 'System Disk' is set to 'nvme-snc-01' with a capacity of 1.41 TB. A table titled 'Data Disks for nvme-snc-01' lists seven NVMe devices, all of which are selected with checkmarks. A 'Done' button is located at the bottom right of the interface.

Device Name	Device Type	Capacity
<input checked="" type="checkbox"/> 0000:12:00.0	NVME	-
<input checked="" type="checkbox"/> 0000:13:00.0	NVME	-
<input checked="" type="checkbox"/> 0000:14:00.0	NVME	-
<input checked="" type="checkbox"/> 0000:15:00.0	NVME	-
<input checked="" type="checkbox"/> 0000:37:00.0	NVME	-
<input checked="" type="checkbox"/> 0000:38:00.0	NVME	-
<input checked="" type="checkbox"/> 0000:39:00.0	NVME	-

Selected Capacity: (7/7 disks)

Done

After the cluster is successfully deployed, ONTAP System Manager allows you to provision the storage according to best practices. ONTAP automatically enables flash-optimized storage efficiency features that make the best use of your NVMe storage.

ONTAP System Manager (Return to classic version) Search actions, objects, and pages

ots-nvme Version 9.7.0

Health →

✓ All systems are healthy


FDvM300

Capacity →

The system discovered 6 disks. When you prepare the disk for provisioning, the system will group the disks for optimum performance and resiliency.

Prepare Storage

Preparing Local Storage.

 The local storage is being prepared.

DASHBOARD

STORAGE

NETWORK

EVENTS & JOBS

PROTECTION

HOSTS

CLUSTER

ONTAP System Manager (Return to classic version) Search actions, objects, and pages

ots-nvme Version 9.7.0

Health →

✓ All systems are healthy


FDvM300

Capacity →

0 Bytes USED | **4.82 TB** AVAILABLE

0% 20% 40% 60% 80% 100%

1 to 1 Data Reduction

 No cloud tier

DASHBOARD

STORAGE

NETWORK

EVENTS & JOBS

PROTECTION

HOSTS

CLUSTER

Copyright information

Copyright © 2026 NetApp, Inc. All Rights Reserved. Printed in the U.S. No part of this document covered by copyright may be reproduced in any form or by any means—graphic, electronic, or mechanical, including photocopying, recording, taping, or storage in an electronic retrieval system—without prior written permission of the copyright owner.

Software derived from copyrighted NetApp material is subject to the following license and disclaimer:

THIS SOFTWARE IS PROVIDED BY NETAPP "AS IS" AND WITHOUT ANY EXPRESS OR IMPLIED WARRANTIES, INCLUDING, BUT NOT LIMITED TO, THE IMPLIED WARRANTIES OF MERCHANTABILITY AND FITNESS FOR A PARTICULAR PURPOSE, WHICH ARE HEREBY DISCLAIMED. IN NO EVENT SHALL NETAPP BE LIABLE FOR ANY DIRECT, INDIRECT, INCIDENTAL, SPECIAL, EXEMPLARY, OR CONSEQUENTIAL DAMAGES (INCLUDING, BUT NOT LIMITED TO, PROCUREMENT OF SUBSTITUTE GOODS OR SERVICES; LOSS OF USE, DATA, OR PROFITS; OR BUSINESS INTERRUPTION) HOWEVER CAUSED AND ON ANY THEORY OF LIABILITY, WHETHER IN CONTRACT, STRICT LIABILITY, OR TORT (INCLUDING NEGLIGENCE OR OTHERWISE) ARISING IN ANY WAY OUT OF THE USE OF THIS SOFTWARE, EVEN IF ADVISED OF THE POSSIBILITY OF SUCH DAMAGE.

NetApp reserves the right to change any products described herein at any time, and without notice. NetApp assumes no responsibility or liability arising from the use of products described herein, except as expressly agreed to in writing by NetApp. The use or purchase of this product does not convey a license under any patent rights, trademark rights, or any other intellectual property rights of NetApp.

The product described in this manual may be protected by one or more U.S. patents, foreign patents, or pending applications.

LIMITED RIGHTS LEGEND: Use, duplication, or disclosure by the government is subject to restrictions as set forth in subparagraph (b)(3) of the Rights in Technical Data -Noncommercial Items at DFARS 252.227-7013 (FEB 2014) and FAR 52.227-19 (DEC 2007).

Data contained herein pertains to a commercial product and/or commercial service (as defined in FAR 2.101) and is proprietary to NetApp, Inc. All NetApp technical data and computer software provided under this Agreement is commercial in nature and developed solely at private expense. The U.S. Government has a non-exclusive, non-transferrable, nonsublicensable, worldwide, limited irrevocable license to use the Data only in connection with and in support of the U.S. Government contract under which the Data was delivered. Except as provided herein, the Data may not be used, disclosed, reproduced, modified, performed, or displayed without the prior written approval of NetApp, Inc. United States Government license rights for the Department of Defense are limited to those rights identified in DFARS clause 252.227-7015(b) (FEB 2014).

Trademark information

NETAPP, the NETAPP logo, and the marks listed at <http://www.netapp.com/TM> are trademarks of NetApp, Inc. Other company and product names may be trademarks of their respective owners.