

AFF C190 Systems Installation and Setup Instructions



Prepare and install | Stage 1



Pre-setup

1. Unpack all boxes and inventory contents.

Attention: Customers with specific power requirements must check [Hardware Universe](#) for their configuration options.

2. Gather information about your storage system by completing the cluster setup worksheets:
[Get started with ONTAP cluster set up.](#)

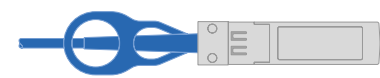
3. Review the requirements and procedure steps for [Configure ONTAP on a new cluster with System Manager.](#)

Note: For MetroCluster configurations, use the [MetroCluster installation content.](#)



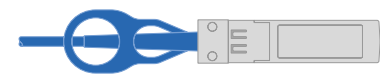
Contents in the box

Cables shown are the most common. See [Hardware Universe](#) for more options.



10 GbE network cable Cluster interconnect cable (order dependent)

Part numbers X6566B-05-R6; X6566B-2-R6



10 GbE network cables (order dependent)

Part numbers X6566B-2-R6; X6566B-3-R6; X6566B-5-R6



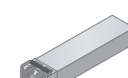
CAT6 RJ-45 cables (order dependent)

Part numbers X6585-R6; X6562-R6

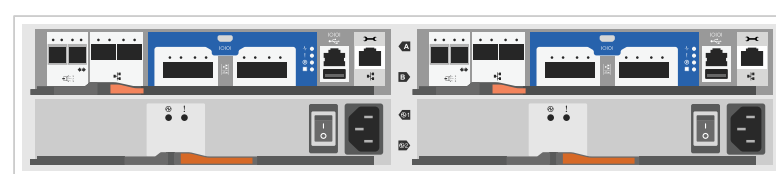


Optical network cables (order dependent)

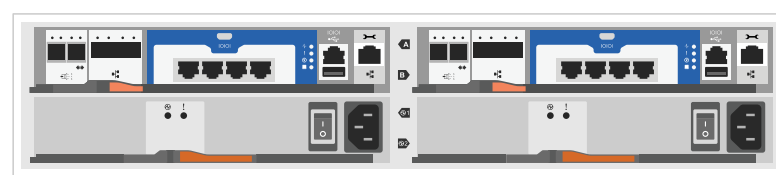
Part numbers X6553-R6; X6554-R6; X6536-R6



SFP for optical cables (order dependent)



Unified configuration (order dependent)



Ethernet configuration (order dependent)

Slide rail kit

Cable management arms

Additional cables

- Ethernet cables



- Power cables



- micro USB console cable



You provide



Rack space

2U for platform



Screwdriver

Phillips #2



Additional network cables

For connecting your storage system to your network switch and laptop or console



Laptop or console

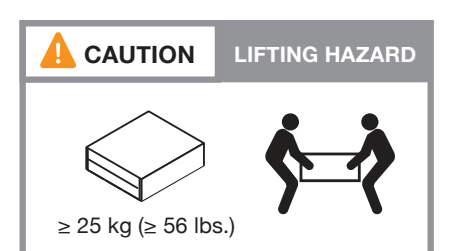
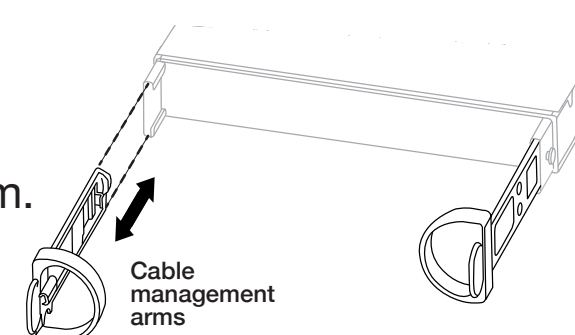
With a USB/serial connection and access to a Web browser to configure your storage system



Install storage system in a rack or cabinet

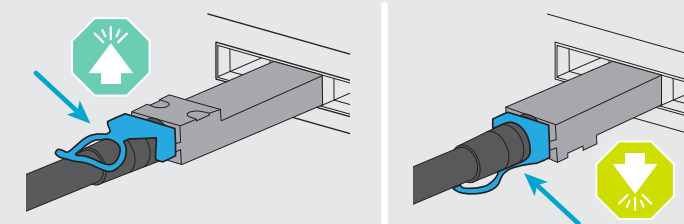
Attention: Airflow through the platform enters from the front where the bezel or end caps are installed and exhausts out the rear where the ports are located.

1. Install rail kits for the platform and shelves, as needed, using instructions included with the kits.
2. Install the platform chassis into the rack or cabinet.
3. Attach the cable management devices to the rear of the platform.
4. Install the bezel on the front of the platform.



Cable controllers | Stage 2

Attention: Be sure to check the illustration arrow for the proper cable connector pull-tab orientation.
Note: To unplug a cable, gently pull the tab to release the locking mechanism.



1 Cable the controllers for a switchless or switched cluster

See your network administrator for help connecting to your switches.



Cluster interconnect cable

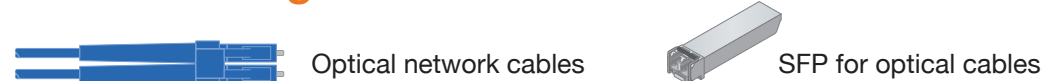
1 Switchless cluster

Cable port e0a to port e0a and port e0b to port e0b.

Switched cluster

Cable port e0a and port e0b on each controller to the cluster interconnect switches.

2 Unified configuration



Optical network cables

SFP for optical cables

Insert the SFPs into ports e0c/0c and e0d/0d OR ports e0e/0e and e0f/0f and cable them to the optical Ethernet or FC switches.



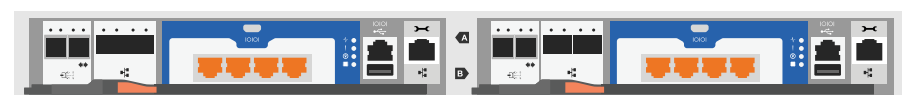
10 GbE network cable

OR for 10 GbE switches use this cable.

Ethernet configuration



CAT6 RJ-45 cables



Cable ports e0c through e0f to the 10 GbE switches.

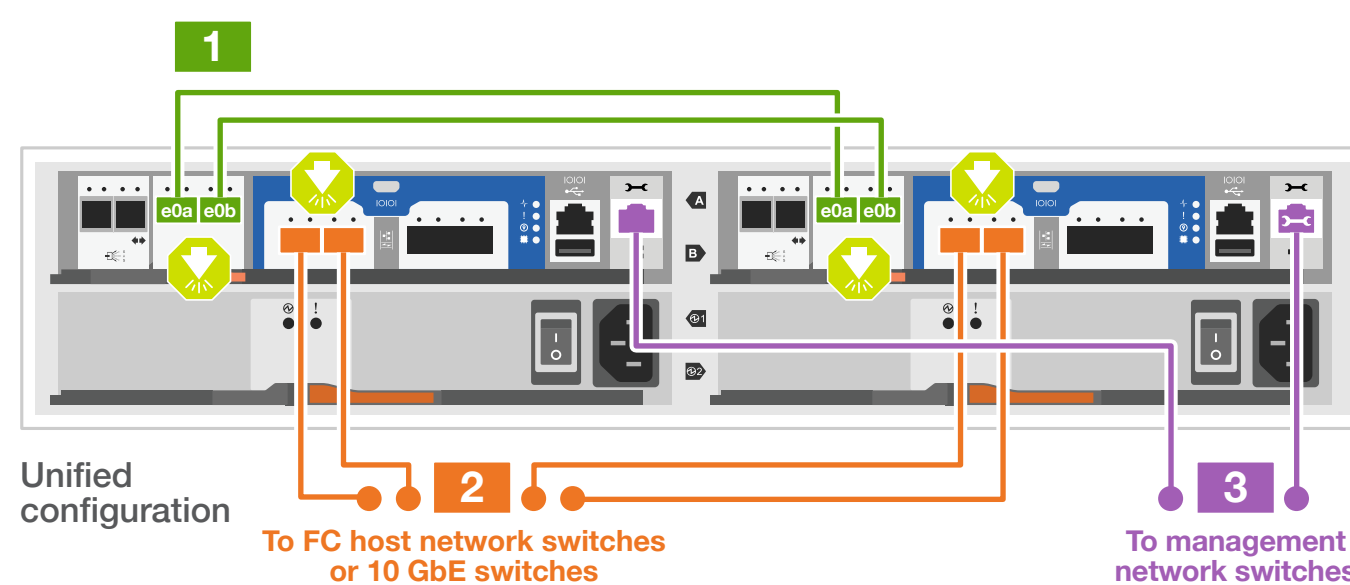


Ethernet cables

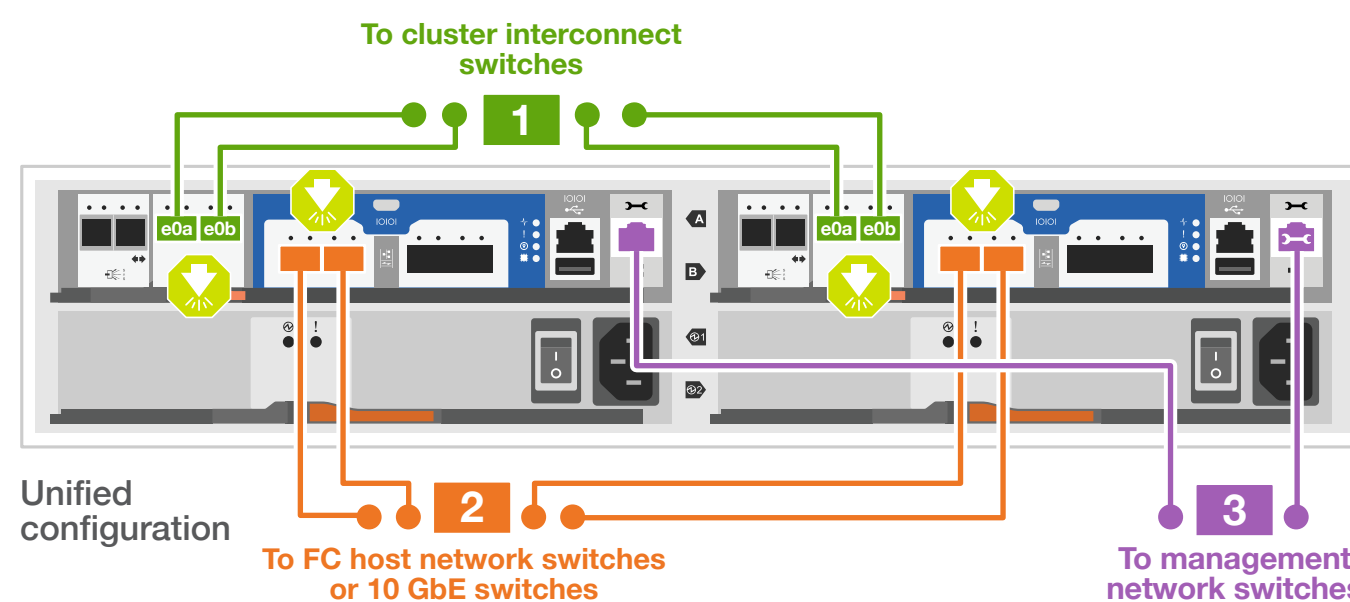
Connect the wrench port (e0M/BMC) to the management switches.

4 Strap the cables to the cable management arms (not shown).

Switchless cluster



Switched cluster



Storage system bring-up | Stage 3

1 Connect both power cords



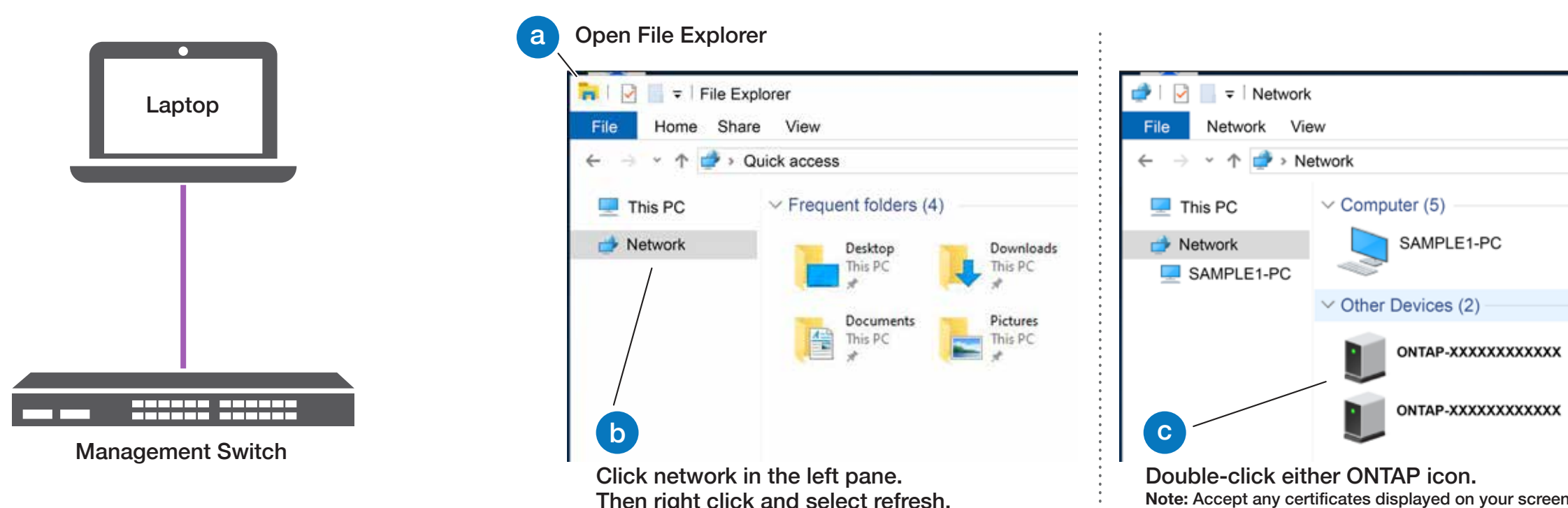
1. Connect the power cables to each controller's power supply, and then to power sources on different circuits.
2. Secure the power cables using the securing device on each power supply.
3. Turn on the power switches to all nodes



3 Complete the initial cluster setup with network discovery

Note: If your laptop does not support network discovery, see the [Detailed steps](#).

Connect your laptop to the management switch and access the network computers and devices.



4 Configure your cluster using the [Configure ONTAP on a new cluster with System Manager](#) procedure

5 Complete the setup

1. Click...
a) mysupport.netapp.com b) [Create/log in to your account](#) c) [Register your system](#)
2. [Download and install Active IQ Config Advisor](#), and then run it to verify the health of your storage system.
3. After you have completed the initial configuration, go to the [NetApp ONTAP Resources](#) page for information about configuring additional features in ONTAP.

Note: The default port configuration for Unified configuration systems is CNA mode; if connecting to an FC host network, you have to modify the ports for FC mode.