



# **AFF C250 systems**

## **Install and maintain**

NetApp  
August 29, 2025

# Table of Contents

- AFF C250 systems . . . . . 1
  - Install and setup . . . . . 1
    - Start here: Choose your installation and setup experience . . . . . 1
    - Quick steps - AFF C250 . . . . . 1
    - Video steps - AFF C250 . . . . . 1
    - Detailed steps - AFF C250 . . . . . 1
  - Maintain . . . . . 12
    - Maintain AFF C250 hardware . . . . . 12
    - Boot media . . . . . 13
    - Chassis . . . . . 36
    - Controller . . . . . 41
    - Replace a DIMM - AFF C250 . . . . . 59
    - Replace SSD drive - AFF C250 . . . . . 66
    - Replace a fan - AFF C250 . . . . . 68
    - Replace or install a mezzanine card - AFF C250 . . . . . 74
    - Replace the NVMEM battery - AFF C250 . . . . . 80
    - Replace a power supply - AFF C250 . . . . . 85
    - Replace the real-time clock battery - AFF C250 . . . . . 88

# AFF C250 systems

## Install and setup

### Start here: Choose your installation and setup experience

For most configurations, you can choose from different content formats.

- [Quick steps](#)

A printable PDF of step-by-step instructions with live links to additional content.

- [Video steps](#)

Video step-by-step instructions.

- [Detailed steps](#)

Online step-by-step instructions with live links to additional content.

If your system is in a MetroCluster IP configuration, see the [Install MetroCluster IP Configuration](#) instructions.

### Quick steps - AFF C250

This section gives graphic instructions for a typical installation of your system from racking and cabling, through initial system bring-up. Use this guide if you are familiar with installing NetApp systems.

Access the *Installation and Setup Instructions* PDF poster:

[AFF C250 Installation and Setup Instructions](#)

### Video steps - AFF C250

The following video shows how to install and cable your new system.

[Animation - Installation and Setup of an AFF C250](#)

If you have a MetroCluster configuration, use the MetroCluster installation content.

[MetroCluster Documentation](#)

### Detailed steps - AFF C250

This procedure gives detailed step-by-step instructions for installing an AFF C250 storage system.

If you have a MetroCluster configuration, use the [MetroCluster Documentation](#).

## Step 1: Prepare for installation

To install your AFF C250 system, you need to create an account and register the system. You also need to inventory the appropriate number and type of cables for your system and collect specific network information.

### Before you begin

- Make sure you have access to the [NetApp Hardware Universe](#) (HWU) for information about site requirements.
- Customers with specific power requirements must check [HWU](#) for configuration options.
- Make sure you have access to the [Release Notes for your version of ONTAP](#) for more information about this system.
- You need to provide the following at your site:
  - Rack space for the storage system
  - Phillips #2 screwdriver
  - Additional networking cables to connect your system to your network switch and laptop or console with a Web browser.


### Steps





1. Unpack the contents of all boxes.
2. Record the system serial number from the controllers.



3. Set up your account:
  - a. Log in to your existing account or create an account.
  - b. Register ([NetApp Product Registration](#)) your system.
4. Download and install [NetApp Downloads: Config Advisor](#) on your laptop.
5. Inventory and make a note of the number and types of cables you received.

The following table identifies the types of cables you might receive. If you receive a cable not listed in the table, see the [NetApp Hardware Universe](#) to locate the cable and identify its use.

Type of cable...	Part number and length	Connector type	For...
25 GbE cable	X66240A-05 (112-00595), 0.5m;		Cluster interconnect network
	X66240-2 (112-00573), 2m		
	X66240A-2 (112-00598), 2m;		Data
	X66240A-5 (112-00600), 5m		
100 GbE cable	X66211-2 (112-00574), 2m;		Storage
	X66211-5 (112-00576), 5m		

Type of cable...	Part number and length	Connector type	For...
RJ-45 (order dependent)	Not applicable		Management network (BMC and wrench port) and Ethernet data (e0a and e0b)
Fibre Channel	X66250-2 (112-00342) 2m; X66250-5 (112-00344) 5m; X66250-15 (112-00346) 15m; X66250-30 (112-00347) 30m		
Micro-USB console cable	Not applicable		Console connection during software setup
Power cables	Not applicable		Powering up the system

6. Review the [ONTAP Configuration Guide](#) and collect the required information listed in that guide.

## Step 2: Install the hardware

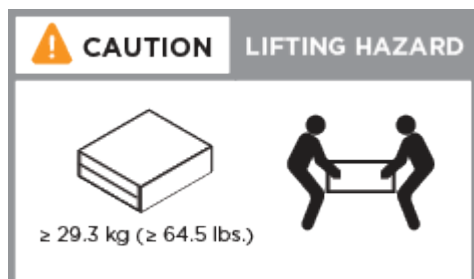
You need to install your system in a 4-post rack or NetApp system cabinet, as applicable.

### Steps

1. Install the rail kits, as needed.
2. Install and secure your system using the instructions included with the rail kit.



You need to be aware of the safety concerns associated with the weight of the system.



3. Identify and manage cables because this system does not have a cable management device.
4. Place the bezel on the front of the system.

## Step 3: Cable controllers to cluster

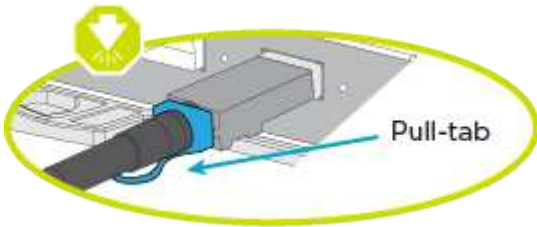
Cable the controllers to a cluster by using the two-node switchless cluster method or by using the cluster interconnect network.

### Option 1: Two-node switchless cluster

The management, Fibre Channel, and data or host network ports on the controller modules are connected to switches. The cluster interconnect ports are cabled on both controller modules.

#### Before you begin

- Contact your network administrator for information about connecting the system to the switches.
- Be sure to check the illustration arrow for the proper cable connector pull-tab orientation.



As you insert the connector, you should feel it click into place; if you do not feel it click, remove it, turn it around and try again.

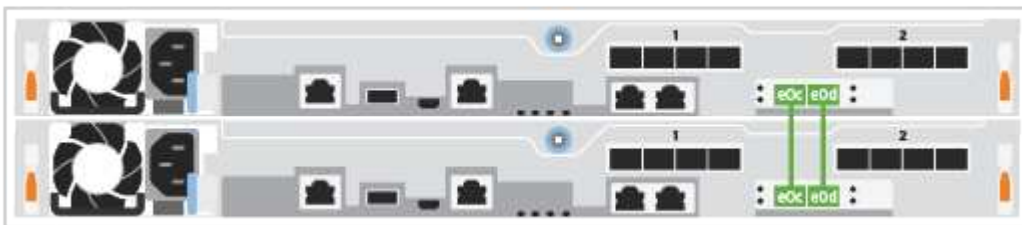
#### About this task

Use the animation or the tabulated steps to complete the cabling between the controllers and the switches. Perform the steps on each controller.

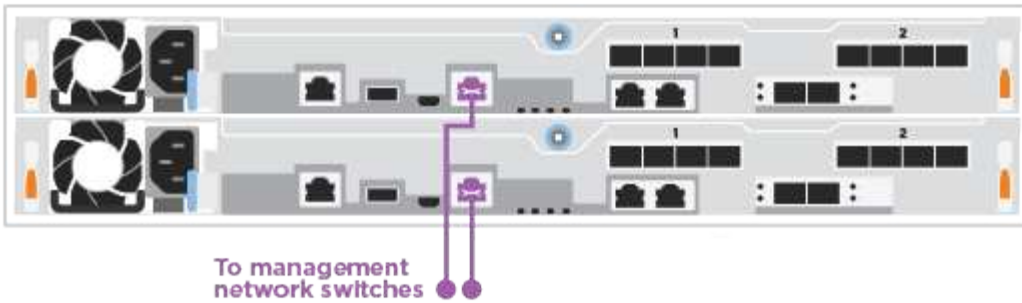
#### [Animation - Cable a two-node switchless cluster](#)

#### Steps

1. Cable the cluster interconnect ports e0c to e0c and e0d to e0d with the 25GbE cluster interconnect cables.



2. Cable the wrench ports to the management network switches with the RJ45 cables.



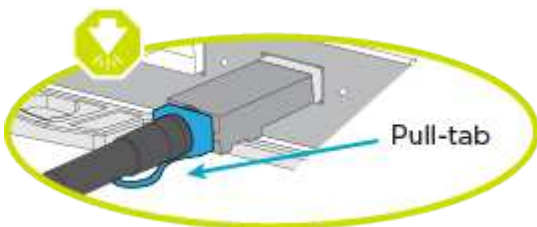
DO NOT plug in the power cords at this point.

### Option 2: Switched cluster

All ports on the controllers are connected to switches; cluster interconnect, management, Fibre Channel, and data or host network switches.

#### Before you begin

- Contact your network administrator for information about connecting the system to the switches.
- Be sure to check the illustration arrow for the proper cable connector pull-tab orientation.



As you insert the connector, you should feel it click into place; if you do not feel it click, remove it, turn it around and try again.

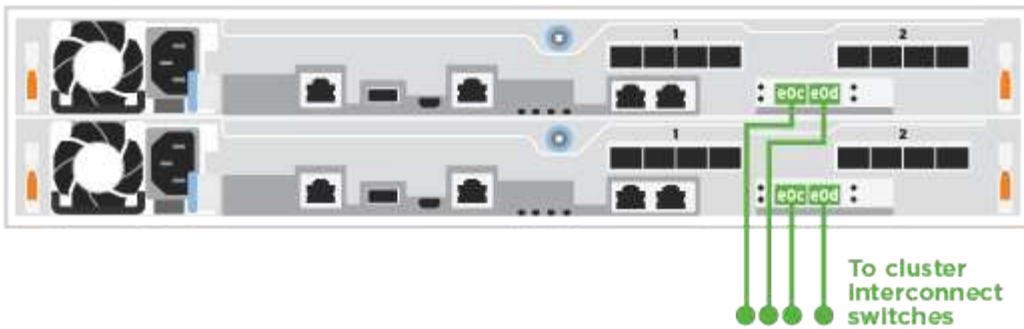
#### About this task

Use the animation or the tabulated steps to complete the cabling between the controllers and the switches. Perform the steps on each controller.

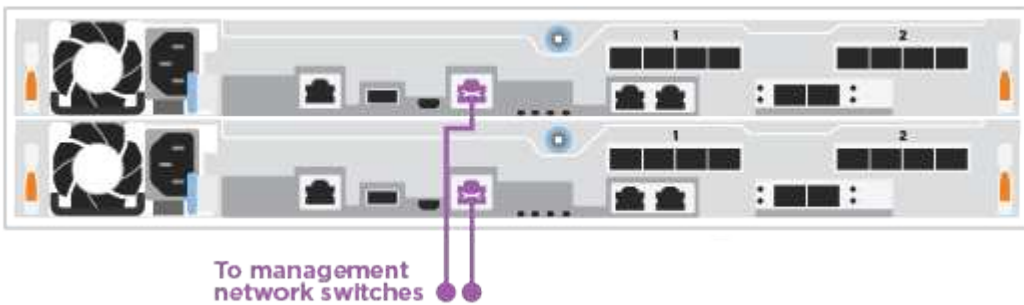
[Animation - Cable a switched cluster](#)

#### Steps

1. Cable the cluster interconnect ports e0c and e0d to the 25 GbE cluster interconnect switches.



2. Cable the wrench ports to the management network switches with the RJ45 cables.



DO NOT plug in the power cords at this point.

#### Step 4: Cable to host network or storage (Optional)

You have configuration-dependent optional cabling to the Fibre Channel or iSCSI host networks or direct-attached storage. This cabling is not exclusive; you can have cabling to a host network and storage.



[NetApp Hardware Universe](#) slot priority for host network cards (Fibre Channel or 25GbE) is slot 2. However, if you have both cards, the Fibre Channel card goes in slot 2 and the 25GbE card goes in slot 1 (as shown in the options below). If you have an external shelf, the storage card goes in slot 1, the only supported slot for shelves.

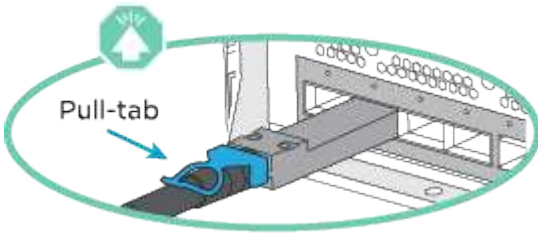


### Option 1: Cable to Fibre Channel host network

Fibre Channel ports on the controllers are connected to Fibre Channel host network switches.

#### Before you begin

- Contact your network administrator for information about connecting the system to the switches.
- Be sure to check the illustration arrow for the proper cable connector pull-tab orientation.



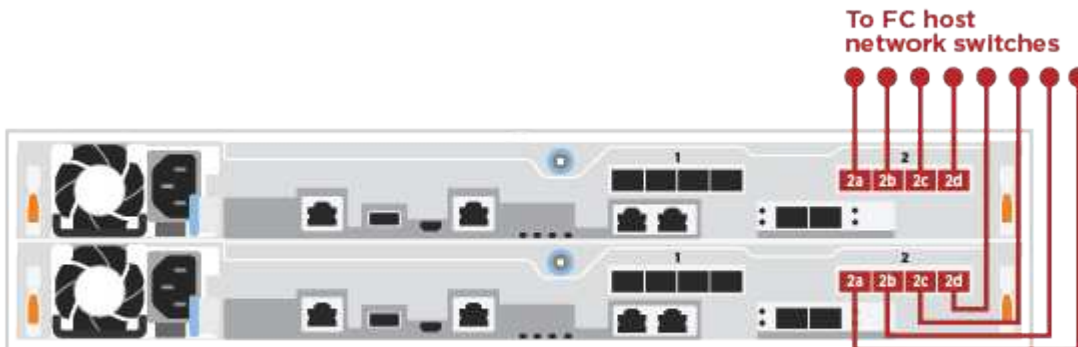
As you insert the connector, you should feel it click into place; if you do not feel it click, remove it, turn it around and try again.

#### About this task

Perform the step on each controller module.

#### Steps

1. Cable ports 2a through 2d to the FC host switches.

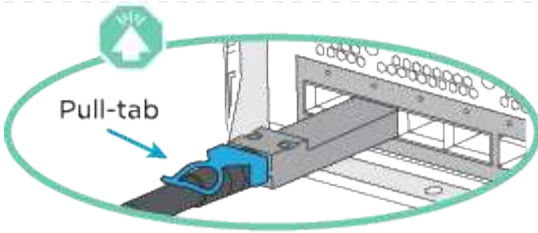


### Option 2: Cable to a 25GbE data or host network

25GbE ports on the controllers are connected to 25GbE data or host network switches.

#### Before you begin

- Contact your network administrator for information about connecting the system to the switches.
- Be sure to check the illustration arrow for the proper cable connector pull-tab orientation.



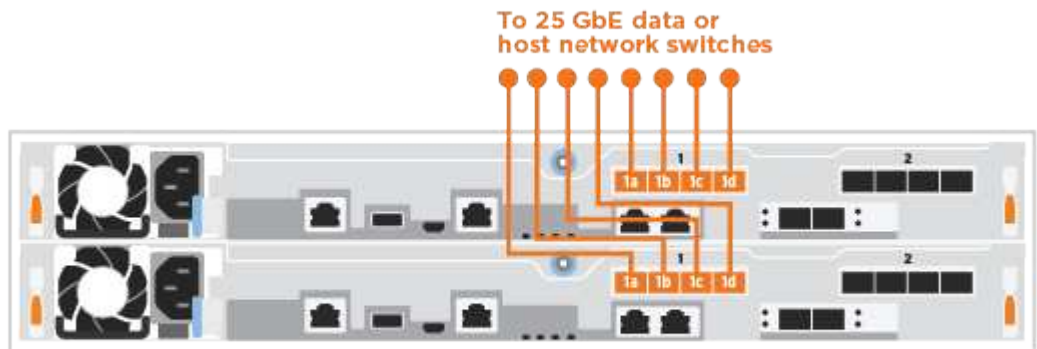
**i** As you insert the connector, you should feel it click into place; if you do not feel it click, remove it, turn it around and try again.

**About this task**

Perform the step on each controller module.

**Steps**

1. Cable ports e4a through e4d to the 10GbE host network switches.

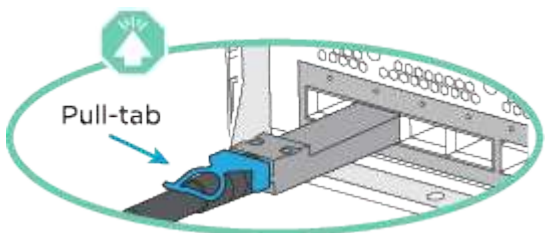


**Option 3: Cable controllers to single drive shelf**

Cable each controller to the NSM modules on the NS224 drive shelf.

**Before you begin**

Be sure to check the illustration arrow for the proper cable connector pull-tab orientation.



**i** As you insert the connector, you should feel it click into place; if you do not feel it click, remove it, turn it around and try again.

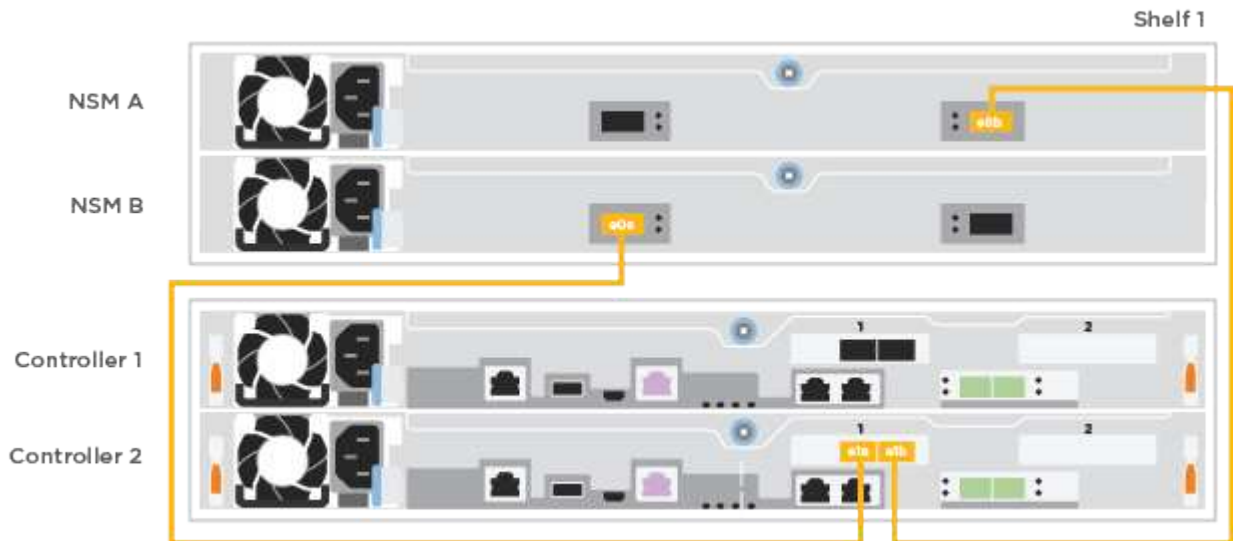
**About this task**

Use the animation or the tabulated steps to complete the cabling between the controllers and the single shelf. Perform the steps on each controller module.

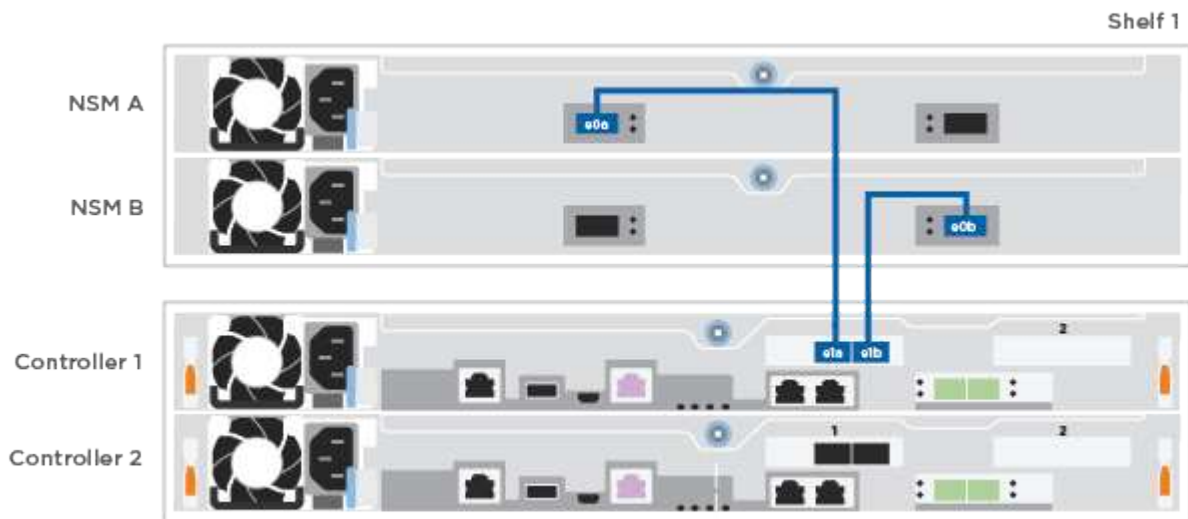
## Animation - Cable the controllers to a single NS224

### Steps

1. Cable controller A to the shelf.



2. Cable controller B to the shelf.



### Step 5: Complete system setup

Complete the system setup and configuration using cluster discovery with only a connection to the switch and laptop, or by connecting directly to a controller in the system and then connecting to the management switch.

### Option 1: If network discovery is enabled

If you have network discovery enabled on your laptop, you can complete system setup and configuration using automatic cluster discovery.

#### Steps

1. Use the following animation to power on and set shelf IDs for one or more drive shelves:

For NS224 drive shelves, shelf IDs are pre-set to 00 and 01. If you want to change the shelf IDs, use the straightened end of a paperclip, or narrow tipped ball point pen to access the shelf ID button behind the faceplate.

#### Animation - Set drive shelf IDs

2. Plug the power cords into the controller power supplies, and then connect them to power sources on different circuits.

The system begins to boot. Initial booting may take up to eight minutes.

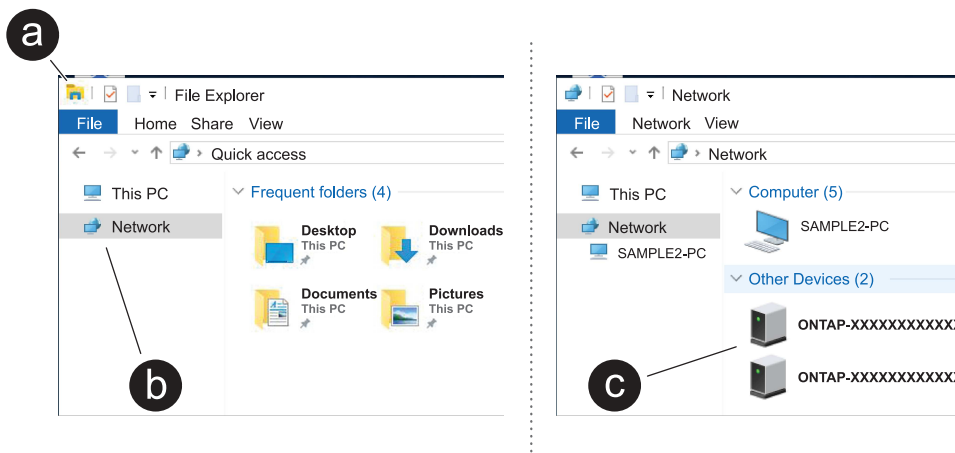
3. Make sure that your laptop has network discovery enabled.

See your laptop's online help for more information.

4. Connect your laptop to the Management switch:



5. Select an ONTAP icon listed to discover:



- a. Open File Explorer.
- b. Click **Network** in the left pane and right-click and select **refresh**.
- c. Double-click either ONTAP icon and accept any certificates displayed on your screen.



XXXXX is the system serial number for the target node.

System Manager opens.

6. Use System Manager guided setup to configure your system using the data you collected in the [ONTAP Configuration Guide](#).

7. Set up your account and download Active IQ Config Advisor:

a. Log in to your existing account or create an account.

[NetApp Support Registration](#)

b. Register your system.

[NetApp Product Registration](#)

c. Download Active IQ Config Advisor.

[NetApp Downloads: Config Advisor](#)

8. Verify the health of your system by running Config Advisor.

9. After you have completed the initial configuration, go to [ONTAP 9 documentation](#) for information about configuring additional features in ONTAP.

### Option 2: If network discovery is not enabled

If network discovery is not enabled on your laptop, you must complete the configuration and setup using this task.

#### Steps

1. Cable and configure your laptop or console:

a. Set the console port on the laptop or console to 115,200 baud with N-8-1.



See your laptop or console's online help for how to configure the console port.

b. Connect the laptop or console to the management switch.



c. Assign a TCP/IP address to the laptop or console, using one that is on the management switch.

2. Use the following animation to power on and set shelf IDs for one or more drive shelves:


For NS224 drive shelves, shelf IDs are pre-set to 00 and 01. If you want to change the shelf IDs, use the straightened end of a paperclip, or narrow tipped ball point pen to access the shelf ID button behind the faceplate.

[Animation - Set drive shelf IDs](#)

3. Plug the power cords into the controller power supplies, and then connect them to power sources on different circuits.

The system begins to boot. Initial booting may take up to eight minutes.

4. Assign an initial node management IP address to one of the nodes.

If the management network has DHCP...	Then...
Configured	Record the IP address assigned to the new controllers.
Not configured	<ol style="list-style-type: none"><li>a. Open a console session using PuTTY, a terminal server, or the equivalent for your environment.   Check your laptop or console's online help if you do not know how to configure PuTTY.</li><li>b. Enter the management IP address when prompted by the script.</li></ol>

5. Using System Manager on your laptop or console, configure your cluster:

- a. Point your browser to the node management IP address.



The format for the address is `https://x.x.x.x`.

- b. Configure the system using the data you collected in the [ONTAP Configuration Guide](#).

6. Set up your account and download Active IQ Config Advisor:

- a. Log in to your [existing account or create an account](#).
- b. [Register](#) your system.
- c. Download [Active IQ Config Advisor](#).

7. Verify the health of your system by running Config Advisor.

8. After you have completed the initial configuration, go to [ONTAP 9 documentation](#) for information about configuring additional features in ONTAP.

## Maintain

### Maintain AFF C250 hardware

For the AFF C250 storage system, you can perform maintenance procedures on the following components.

#### Boot media

The boot media stores a primary and secondary set of boot image files that the system uses when it boots.

#### Chassis

The chassis is the physical enclosure housing all the controller components such as the controller/CPU unit, power supply, and I/O.

## Controller

A controller consists of a board, firmware, and software. It controls the drives and implements the ONTAP functions.

## DIMM

You must replace a DIMM (dual in-line memory module) when a memory mismatch is present, or you have a failed DIMM.

## Drive

A drive is a device that provides the physical storage media for data.

## Fan

The fan cools the controller.

## Mezzanine card

A Mezzanine card is a printed circuit board that plugs directly into another plug-in card.

## NVMEM battery

A battery is included with the controller and preserves cached data if the AC power fails.

## Power supply

A power supply provides a redundant power source in a controller shelf.

## Real time clock battery

A real time clock battery preserves system date and time information if the power is off.

## Boot media

### Overview of boot media replacement - AFF C250

The boot media stores a primary and secondary set of system (boot image) files that the system uses when it boots.

### Before you begin

- You must have a USB flash drive, formatted to MBR/FAT32, with the appropriate amount of storage to hold the `image_xxx.tgz` file.
- You also must copy the `image_xxx.tgz` file to the USB flash drive for later use in this procedure.

### About this task

- The nondisruptive and disruptive methods for replacing a boot media both require you to restore the `var` file system:
  - For nondisruptive replacement, the HA pair must be connected to a network to restore the `var` file system.

- For disruptive replacement, you do not need a network connection to restore the `var` file system, but the process requires two reboots.
- You must replace the failed component with a replacement FRU component you received from your provider.
- It is important that you apply the commands in these steps on the correct controller:
  - The *impaired* node is the controller on which you are performing maintenance.
  - The *healthy* node is the HA partner of the impaired controller.

## Check encryption key support and status - AFF C250

To ensure data security on your storage system, you need to verify the encryption key support and status on your boot media. Check if your ONTAP version supports NetApp Volume Encryption (NVE), and before you shut down the controller check if the key manager is active.

### Step 1: Check if your version of ONTAP supports NetApp Volume Encryption

Check whether your ONTAP version supports NetApp Volume Encryption (NVE). This information is crucial for downloading the correct ONTAP image.

#### Steps

1. Determine if your ONTAP version supports encryption by running the following command:

```
version -v
```

If the output includes `1Ono-DARE`, NVE is not supported on your cluster version.

2. Depending on whether NVE is supported on your system, take one of the following actions:
  - If NVE is supported, download the ONTAP image with NetApp Volume Encryption.
  - If NVE is not supported, download the ONTAP image **without** NetApp Volume Encryption.

### Step 2: Determine if it is safe to shut down the controller

To safely shut down a controller, first identify whether the External Key Manager (EKM) or the Onboard Key Manager (OKM) is active. Then, verify the key manager in use, display the appropriate key information, and take action based on the status of the authentication keys.

#### Steps

1. Determine which key manager is enabled on your system:

ONTAP version	Run this command
ONTAP 9.14.1 or later	<pre>security key-manager keystore show</pre> <ul style="list-style-type: none"> <li>• If EKM is enabled, <code>EKM</code> is listed in the command output.</li> <li>• If OKM is enabled, <code>OKM</code> is listed in the command output.</li> <li>• If no key manager is enabled, <code>No key manager keystores configured</code> is listed in the command output.</li> </ul>



ONTAP version	Run this command
ONTAP 9.13.1 or earlier	<pre>security key-manager show-key-store</pre> <ul style="list-style-type: none"> <li>• If EKM is enabled, <code>external</code> is listed in the command output.</li> <li>• If OKM is enabled, <code>onboard</code> is listed in the command output.</li> <li>• If no key manager is enabled, <code>No key managers configured</code> is listed in the command output.</li> </ul>

2. Depending on whether a key manger is configured on your system, select one of the following options.

**No key manager configured**

You can safely shut down the impaired controller. Go to [shutdown the impaired controller](#).

**External or Onboard key manager configured**

- a. Enter the following query command to display the status of the authentication keys in your key manager.

```
security key-manager key query
```

- b. Check the output for the value in the `Restored` column for your key manager.

This column indicates whether the authentication keys for your key manager (either EKM or OKM) have been successfully restored.

3. Depending on whether your system is using the External Key Manager or Onboard Key Manager, select one of the following options.

## External Key Manager

Depending on the output value displayed in the `Restored` column, follow the appropriate steps.

Output value in <code>Restored</code> column	Follow these steps...
<code>true</code>	You can safely shut down the impaired controller. Go to <a href="#">shutdown the impaired controller</a> .
Anything other than <code>true</code>	<ol style="list-style-type: none"><li>Restore the external key management authentication keys to all nodes in the cluster using the following command: <pre>security key-manager external restore</pre><p>If the command fails, contact <a href="#">NetApp Support</a>.</p></li><li>Verify that the <code>Restored</code> column displays <code>true</code> for all authentication keys by entering the <code>security key-manager key query</code> command.  If all the authentication keys are <code>true</code>, you can safely shut down the impaired controller. Go to <a href="#">shutdown the impaired controller</a>.</li></ol>

## Onboard Key Manager

Depending on the output value displayed in the `Restored` column, follow the appropriate steps.

Output value in <code>Restored</code> column	Follow these steps...
<code>true</code>	<p>Manually back up the OKM information.</p> <ol style="list-style-type: none"><li>Go to the advanced mode by entering <code>set -priv advanced</code> and then enter <code>Y</code> when prompted.</li><li>Enter the following command to display the key management information: <pre>security key-manager onboard show-backup</pre></li><li>Copy the contents of the backup information to a separate file or your log file.  You'll need it in disaster scenarios where you might need to manually recover OKM.</li><li>You can safely shut down the impaired controller. Go to <a href="#">shutdown the impaired controller</a>.</li></ol>

Output value in Restored column	Follow these steps...
Anything other than <code>true</code>	<p>a. Enter the onboard security key-manager sync command:</p> <pre>security key-manager onboard sync</pre> <p>b. Enter the 32 character, alphanumeric onboard key management passphrase when prompted.</p> <p>If the passphrase cannot be provided, contact <a href="#">NetApp Support</a>.</p> <p>c. Verify the Restored column displays <code>true</code> for all authentication keys:</p> <pre>security key-manager key query</pre> <p>d. Verify that the Key Manager type displays <code>onboard</code>, and then manually back up the OKM information.</p> <p>e. Enter the command to display the key management backup information:</p> <pre>security key-manager onboard show-backup</pre> <p>f. Copy the contents of the backup information to a separate file or your log file.</p> <p>You'll need it in disaster scenarios where you might need to manually recover OKM.</p> <p>g. You can safely shut down the impaired controller. Go to <a href="#">shutdown the impaired controller</a>.</p>

## Shut down the controller - AFF C250

### Option 1: Most systems

After completing the NVE or NSE tasks, you need to complete the shutdown of the impaired controller.

#### Steps

- a. Take the impaired controller to the LOADER prompt:

If the impaired controller displays...	Then...
The LOADER prompt	Go to Remove controller module.

If the impaired controller displays...	Then...
Waiting for giveback...	Press Ctrl-C, and then respond <code>y</code> when prompted.
System prompt or password prompt (enter system password)	Take over or halt the impaired controller from the healthy controller: <pre>storage failover takeover -ofnode impaired_node_name</pre> <p>When the impaired controller shows Waiting for giveback..., press Ctrl-C, and then respond <code>y</code>.</p>

- b. From the LOADER prompt, enter: `printenv` to capture all boot environmental variables. Save the output to your log file.



This command may not work if the boot device is corrupted or non-functional.

### Option 2: Systems in a MetroCluster

After completing the NVE or NSE tasks, you need to complete the shutdown of the impaired controller.



Do not use this procedure if your system is in a two-node MetroCluster configuration.

To shut down the impaired controller, you must determine the status of the controller and, if necessary, take over the controller so that the healthy controller continues to serve data from the impaired controller storage.

- If you have a cluster with more than two nodes, it must be in quorum. If the cluster is not in quorum or a healthy controller shows false for eligibility and health, you must correct the issue before shutting down the impaired controller; see [Synchronize a node with the cluster](#).
- If you have a MetroCluster configuration, you must have confirmed that the MetroCluster Configuration State is configured and that the nodes are in an enabled and normal state (`metrocluster node show`).

### Steps

1. If AutoSupport is enabled, suppress automatic case creation by invoking an AutoSupport message:

```
system node autosupport invoke -node * -type all -message
MAINT=number_of_hours_downh
```

The following AutoSupport message suppresses automatic case creation for two hours: `cluster1:*>`

```
system node autosupport invoke -node * -type all -message MAINT=2h
```

2. Disable automatic giveback from the console of the healthy controller: `storage failover modify -node local -auto-giveback false`
3. Take the impaired controller to the LOADER prompt:

If the impaired controller is displaying...	Then...
The LOADER prompt	Go to the next step.

If the impaired controller is displaying...	Then...
Waiting for giveback...	Press Ctrl-C, and then respond <code>y</code> when prompted.
System prompt or password prompt (enter system password)	Take over or halt the impaired controller from the healthy controller: <pre>storage failover takeover -ofnode impaired_node_name</pre> When the impaired controller shows Waiting for giveback..., press Ctrl-C, and then respond <code>y</code> .

## Replace the boot media - AFF C250

To replace the boot media, you must remove the impaired controller module, install the replacement boot media, and transfer the boot image to a USB flash drive.

### Step 1: Remove the controller module

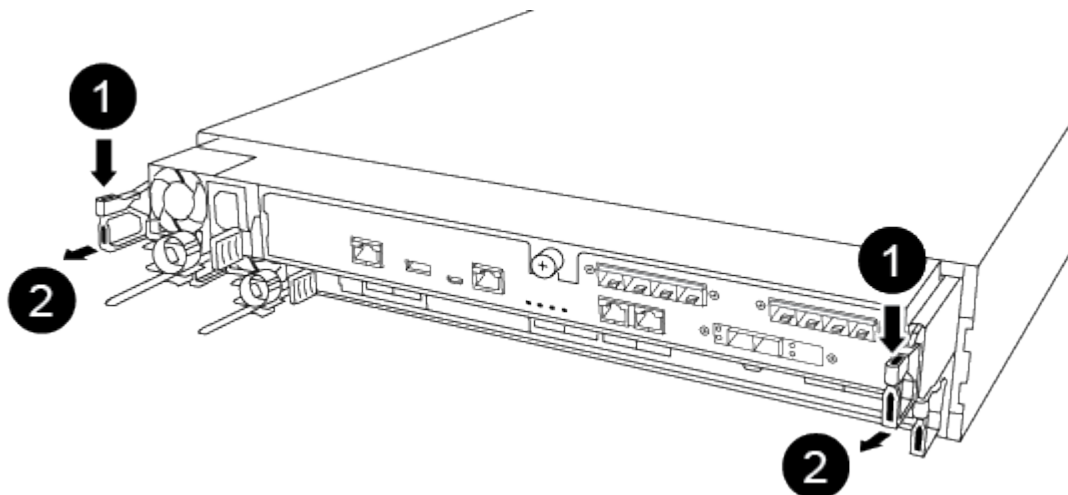
To access components inside the controller module, you must first remove the controller module from the system, and then remove the cover on the controller module.

#### Steps

1. If you are not already grounded, properly ground yourself.
2. Unplug the controller module power supplies from the source.
3. Release the power cable retainers, and then unplug the cables from the power supplies.
4. Unplug the I/O cables from the controller module.
5. Insert your forefinger into the latching mechanism on either side of the controller module, press the lever with your thumb, and gently pull the controller a few inches out of the chassis.

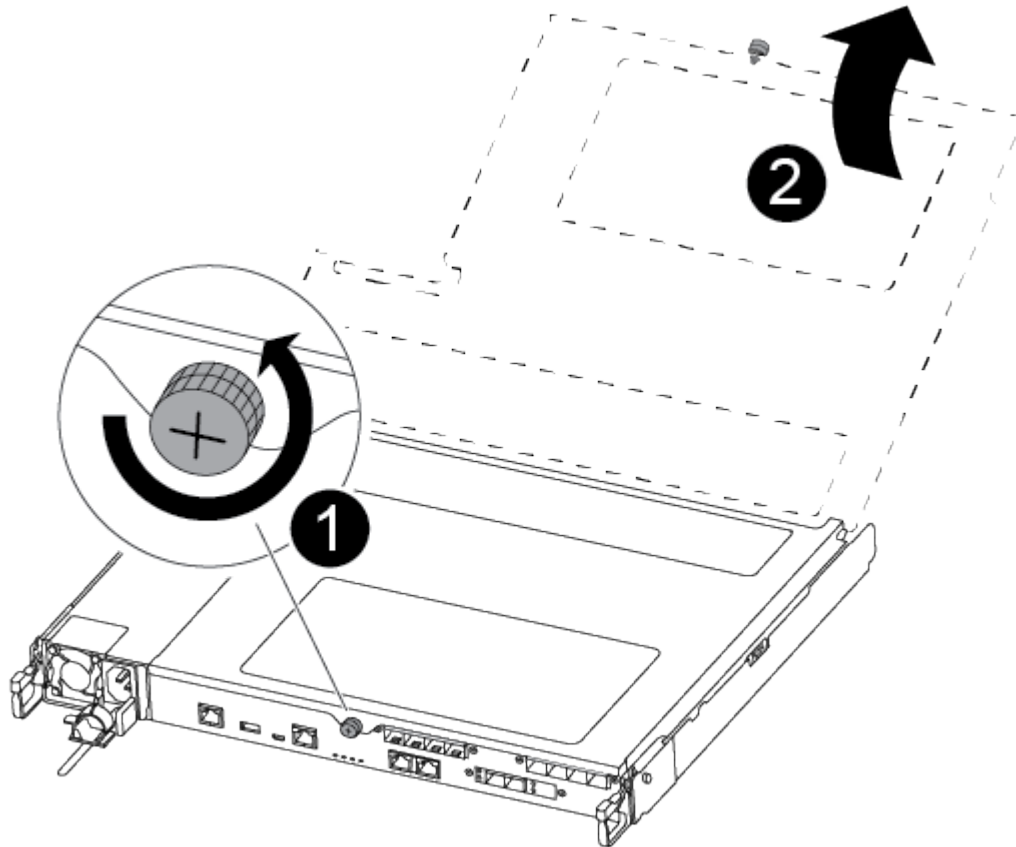


If you have difficulty removing the controller module, place your index fingers through the finger holes from the inside (by crossing your arms).



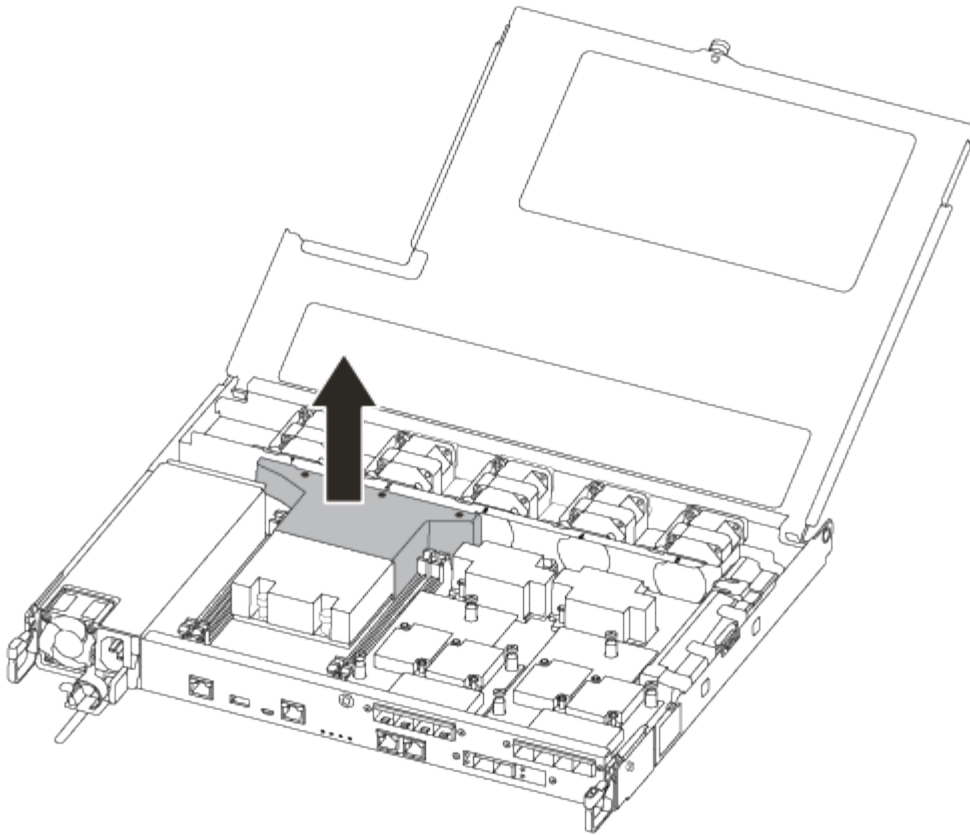
1	Lever
2	Latching mechanism

- Using both hands, grasp the controller module sides and gently pull it out of the chassis and set it on a flat, stable surface.
- Turn the thumbscrew on the front of the controller module anti-clockwise and open the controller module cover.



1	Thumbscrew
2	Controller module cover.

- Lift out the air duct cover.



## Step 2: Replace the boot media

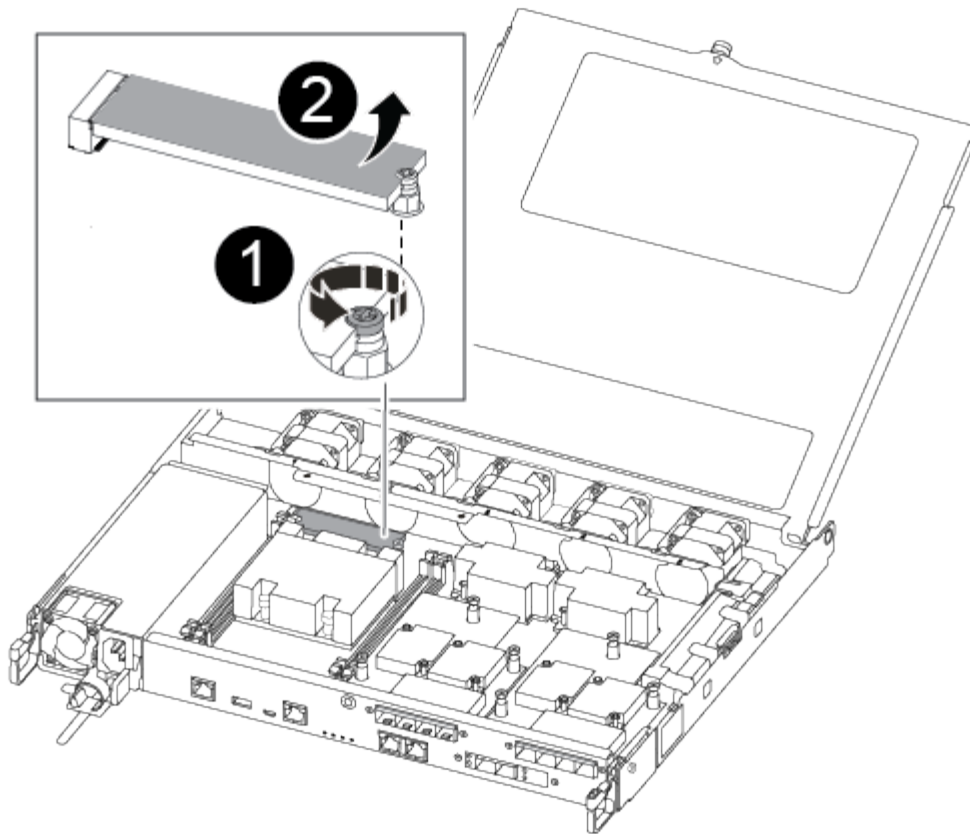
You locate the failed boot media in the controller module by removing the air duct on the controller module before you can replace the boot media.

You need a #1 magnetic Phillips head screwdriver to remove the screw that holds the boot media in place. Due to the space constraints within the controller module, you should also have a magnet to transfer the screw on to so that you do not lose it.

You can use the following video or the tabulated steps to replace the boot media:

[Animation - Replace the boot media](#)

1. Locate and replace the impaired boot media from the controller module.



<p><b>1</b></p>	<p>Remove the screw securing the boot media to the motherboard in the controller module.</p>
<p><b>2</b></p>	<p>Lift the boot media out of the controller module.</p>

2. Using the #1 magnetic screwdriver, remove the screw from the impaired boot media, and set it aside safely on the magnet.
3. Gently lift the impaired boot media directly out of the socket and set it aside.
4. Remove the replacement boot media from the antistatic shipping bag and align it into place on the controller module.
5. Using the #1 magnetic screwdriver, insert and tighten the screw on the boot media.



Do not apply force when tightening the screw on the boot media; you might crack it.

### Step 3: Transfer the boot image to the boot media

The replacement boot media that you installed is without a boot image so you need to transfer a boot image using a USB flash drive.

- You must have a USB flash drive, formatted to MBR/FAT32, with at least 4GB capacity
- A copy of the same image version of ONTAP as what the impaired controller was running. You can download the appropriate image from the Downloads section on the NetApp Support Site
  - If NVE is enabled, download the image with NetApp Volume Encryption, as indicated in the download



button.

- If NVE is not enabled, download the image without NetApp Volume Encryption, as indicated in the download button.
- If your system is an HA pair, you must have a network connection.
- If your system is a stand-alone system you do not need a network connection, but you must perform an additional reboot when restoring the var file system.
  1. Download and copy the appropriate service image from the NetApp Support Site to the USB flash drive.
  2. Download the service image to your work space on your laptop.
  3. Unzip the service image.



If you are extracting the contents using Windows, do not use winzip to extract the netboot image. Use another extraction tool, such as 7-Zip or WinRAR.

There are two folders in the unzipped service image file:

- boot
- efi

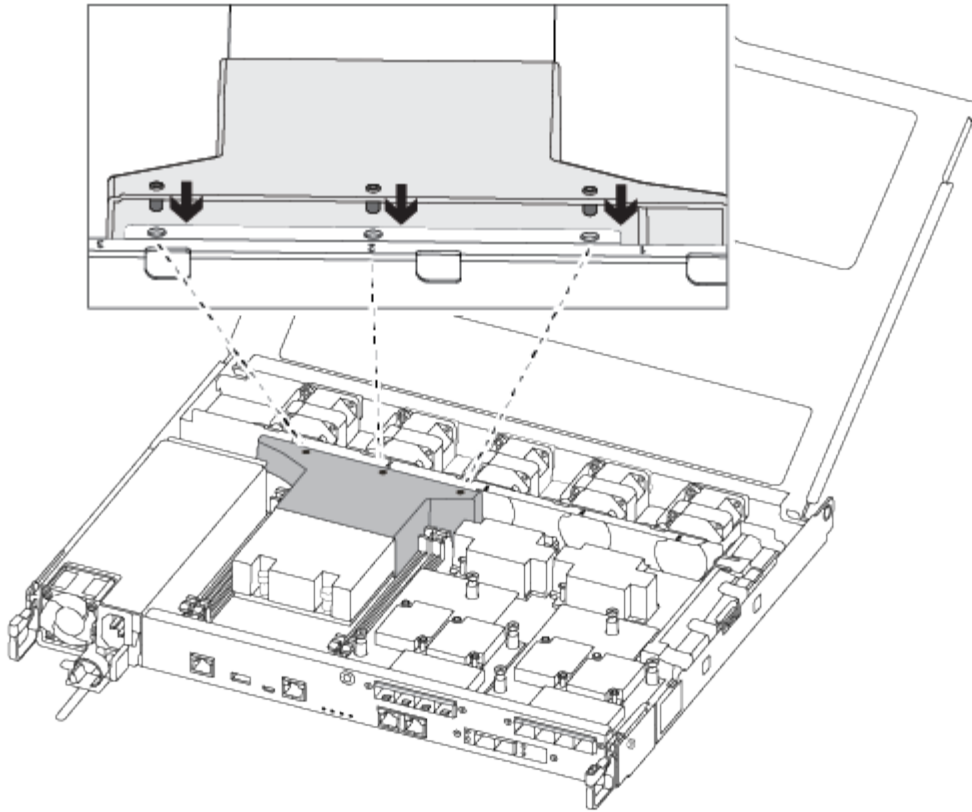
4. Copy the efi folder to the top directory on the USB flash drive.



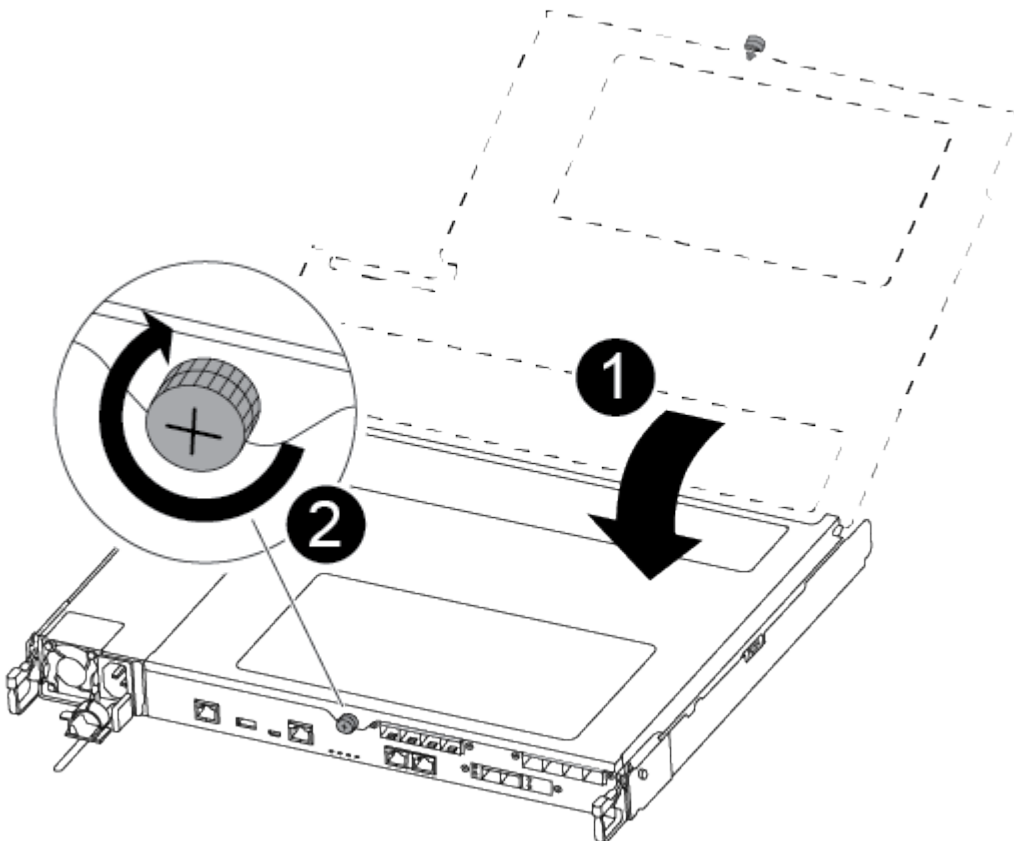
If the service image has no efi folder, see [EFI folder missing from Service Image download file used for boot device recovery for FAS and AFF models^](#) .

The USB flash drive should have the efi folder and the same Service Image (BIOS) version of what the impaired controller is running.

5. Remove the USB flash drive from your laptop.
6. If you have not already done so, install the air duct.



7. Close the controller module cover and tighten the thumbscrew.



<b>1</b>	Controller module cover
<b>2</b>	Thumbscrew

8. Align the end of the controller module with the opening in the chassis, and then gently push the controller module halfway into the system.
9. Insert the USB flash drive into the USB slot on the controller module.

Make sure that you install the USB flash drive in the slot labeled for USB devices, and not in the USB console port.

10. Push the controller module all the way into the chassis:
11. Place your index fingers through the finger holes from the inside of the latching mechanism.
12. Press your thumbs down on the orange tabs on top of the latching mechanism and gently push the controller module over the stop.
13. Release your thumbs from the top of the latching mechanisms and continue pushing until the latching mechanisms snap into place.

The controller module should be fully inserted and flush with the edges of the chassis.

14. Reconnect the controller module I/O cables.
15. Plug the power cords into the power supplies, reinstall the power cable locking collar, and then connect the power supplies to the power source.

The controller module begins to boot as soon as power is restored. Be prepared to interrupt the boot process.

16. Interrupt the boot process to stop at the LOADER prompt by pressing Ctrl-C when you see Starting AUTOBOOT press Ctrl-C to abort....

If you miss this message, press Ctrl-C, select the option to boot to Maintenance mode, and then halt the controller to boot to LOADER.

17. For systems with one controller in the chassis, reconnect the power and turn on the power supplies.

The system begins to boot and stops at the LOADER prompt.

### Boot the recovery image - AFF C250

After installing the new boot media device in your system, you can boot the recovery image from a USB drive and restore the configuration from the partner node.

#### Steps

1. From the LOADER prompt, boot the recovery image from the USB flash drive: `boot_recovery`

The image is downloaded from the USB flash drive.

2. When prompted, either enter the name of the image or accept the default image displayed inside the brackets on your screen.

### 3. Restore the var file system:

#### Option 1: ONTAP 9.16.0 or earlier

- a. On the impaired controller, press `Y` when you see `Do you want to restore the backup configuration now?`
- b. If prompted on the impaired controller, press `Y` to overwrite `/etc/ssh/ssh_host_ecdsa_key`.
- c. On the healthy partner controller, set the impaired controller to advanced privilege level: `set -privilege advanced`.
- d. On the healthy partner controller, run the restore backup command: `system node restore-backup -node local -target-address impaired_node_IP_address`.

**NOTE:** If you see any message other than a successful restore, contact [NetApp Support](#).

- e. On the healthy partner controller, return the impaired controller to admin level: `set -privilege admin`.
- f. On the impaired controller, press `Y` when you see `Was the restore backup procedure successful?`.
- g. On the impaired controller, press `Y` when you see `...would you like to use this restored copy now?`.
- h. On the impaired controller, press `Y` when prompted to reboot the impaired controller and press `ctrl-c` for the Boot Menu.
- i. If the system does not use encryption, select *Option 1 Normal Boot.*, otherwise go to [Restore encryption](#).

#### Option 2: ONTAP 9.16.1 or later

- a. On the impaired controller, press `Y` when prompted to restore the backup configuration.  
  
After restore procedure is successful, this message will be seen on the console - `syncflash_partner: Restore from partner complete`.
- b. On the impaired controller, press `Y` when prompted to confirm if the restore backup was successful.
- c. On the impaired controller, press `Y` when prompted to use the restored configuration.
- d. On the impaired controller, press `Y` when prompted to reboot the node.
- e. On the impaired controller, press `Y` when prompted to reboot the impaired controller and press `ctrl-c` for the Boot Menu.
- f. If the system does not use encryption, select *Option 1 Normal Boot.*, otherwise go to [Restore encryption](#).

4. Connect the console cable to the partner controller.
5. Give back the controller using the `storage failover giveback -fromnode local` command.
6. Restore automatic giveback if you disabled it by using the `storage failover modify -node local -auto-giveback true` command.

7. If AutoSupport is enabled, restore/unsuppress automatic case creation by using the `system node autosupport invoke -node * -type all -message MAINT=END` command.

**NOTE:** If the process fails, contact [NetApp Support](#).

## Restore encryption - AFF C250

### Restore encryption on the replacement boot media.

You must complete steps specific to systems that have Onboard Key Manager (OKM), NetApp Storage Encryption (NSE) or NetApp Volume Encryption (NVE) enabled using the settings that you captured at the beginning of the boot media replace procedure.

Depending on which a key manger is configured on your system, select one of the following options to restore it from the boot menu.

- [Option 1: Restore the Onboard Key Manager configuration](#)
- [Option 2: Restore the External Key Manager configuration](#)

#### Option 1: Restore the Onboard Key Manager configuration

Restore the Onboard Key Manager (OKM) configuration from the ONTAP boot menu.

#### Before you begin

- Make sure you have following information while restoring the OKM configuration:
  - Cluster-wide passphrase entered [while enabling onboard key management](#).
  - [Backup information for the Onboard Key Manager](#).
- Perform the [How to verify onboard key management backup and cluster-wide passphrase](#) procedure before proceeding.

#### Steps

1. Connect the console cable to the target controller.
2. From the ONTAP boot menu select the appropriate option from the boot menu.

<b>ONTAP version</b>	<b>Select this option</b>
ONTAP 9.8 or later	<p data-bbox="621 153 833 191">Select option 10.</p> <p data-bbox="621 222 951 260"><b>Show example boot menu</b></p> <div data-bbox="654 296 1455 1079" style="border: 1px solid #ccc; padding: 10px;"><p data-bbox="683 331 1295 369">Please choose one of the following:</p><ul data-bbox="683 411 1370 1010" style="list-style-type: none"><li data-bbox="683 411 971 449">(1) Normal Boot.</li><li data-bbox="683 453 1133 491">(2) Boot without /etc/rc.</li><li data-bbox="683 495 1045 533">(3) Change password.</li><li data-bbox="683 537 1370 606">(4) Clean configuration and initialize all disks.</li><li data-bbox="683 611 1154 648">(5) Maintenance mode boot.</li><li data-bbox="683 653 1328 690">(6) Update flash from backup config.</li><li data-bbox="683 695 1240 732">(7) Install new software first.</li><li data-bbox="683 737 971 774">(8) Reboot node.</li><li data-bbox="683 779 1192 848">(9) Configure Advanced Drive Partitioning.</li><li data-bbox="683 852 1333 921">(10) Set Onboard Key Manager recovery secrets.</li><li data-bbox="683 926 1317 995">(11) Configure node for external key management.</li></ul><p data-bbox="683 1010 1029 1047">Selection (1-11)? 10</p></div>

ONTAP version	Select this option
ONTAP 9.7 and earlier	<p data-bbox="621 163 1365 195">Select the hidden option <code>recover_onboard_keymanager</code></p> <p data-bbox="621 233 948 264"><b>Show example boot menu</b></p> <div data-bbox="654 306 1455 968" style="border: 1px solid #ccc; padding: 10px; background-color: #f9f9f9;"> <p data-bbox="683 342 1292 373">Please choose one of the following:</p> <ul style="list-style-type: none"> <li data-bbox="688 422 971 453">(1) Normal Boot.</li> <li data-bbox="688 464 1133 495">(2) Boot without <code>/etc/rc</code>.</li> <li data-bbox="688 506 1045 537">(3) Change password.</li> <li data-bbox="683 548 1365 611">(4) Clean configuration and initialize all disks.</li> <li data-bbox="688 621 1149 653">(5) Maintenance mode boot.</li> <li data-bbox="688 663 1328 695">(6) Update flash from backup config.</li> <li data-bbox="688 705 1240 737">(7) Install new software first.</li> <li data-bbox="688 747 971 779">(8) Reboot node.</li> <li data-bbox="688 789 1192 852">(9) Configure Advanced Drive Partitioning.</li> </ul> <p data-bbox="683 863 980 894">Selection (1-19)?</p> <p data-bbox="683 905 1138 936"><code>recover_onboard_keymanager</code></p> </div>

3. Confirm that you want to continue the recovery process.

**Show example prompt**

```
This option must be used only in disaster recovery procedures. Are you
sure? (y or n):
```

4. Enter the cluster-wide passphrase twice.

While entering the passphrase the console will not show any input.

**Show example prompt**

```
Enter the passphrase for onboard key management:
Enter the passphrase again to confirm:
```

5. Enter the backup information.

a. Paste the entire content from the BEGIN BACKUP line through the END BACKUP line.





## Show example prompt

```
Trying to recover keymanager secrets....
Setting recovery material for the onboard key manager
Recovery secrets set successfully
Trying to delete any existing km_onboard.wkeydb file.

Successfully recovered keymanager secrets.

*****
*****
* Select option "(1) Normal Boot." to complete recovery process.
*
* Run the "security key-manager onboard sync" command to
synchronize the key database after the node reboots.
*****
*****
```



Do not proceed if the displayed output is anything other than `Successfully recovered keymanager secrets`. Perform troubleshooting to correct the error.

6. Select option 1 from the boot menu to continue booting into ONTAP.

## Show example prompt

```
*****
*****
* Select option "(1) Normal Boot." to complete the recovery process.
*
*****
*****

(1) Normal Boot.
(2) Boot without /etc/rc.
(3) Change password.
(4) Clean configuration and initialize all disks.
(5) Maintenance mode boot.
(6) Update flash from backup config.
(7) Install new software first.
(8) Reboot node.
(9) Configure Advanced Drive Partitioning.
(10) Set Onboard Key Manager recovery secrets.
(11) Configure node for external key management.
Selection (1-11)? 1
```

7. Confirm that the controller's console displays the following message.

```
Waiting for giveback...(Press Ctrl-C to abort wait)
```

8. From the partner node, giveback the partner controller by entering the following command.

```
storage failover giveback -fromnode local -only-cfo-aggregates true.
```

9. After booting with only the CFO aggregate, run the following command.

```
security key-manager onboard sync
```

10. Enter the cluster-wide passphrase for the Onboard Key Manager.

## Show example prompt

```
Enter the cluster-wide passphrase for the Onboard Key Manager:
```

```
All offline encrypted volumes will be brought online and the corresponding volume encryption keys (VEKs) will be restored automatically within 10 minutes. If any offline encrypted volumes are not brought online automatically, they can be brought online manually using the "volume online -vserver <vserver> -volume <volume_name>" command.
```



If the sync is successful the cluster prompt is returned with no additional messages. If the sync fails an error message appears before returning to the cluster prompt. Do not continue until the error is corrected and the sync runs successfully.

11. Ensure that all keys are synced by entering the following command.

```
security key-manager key query -restored false.
```

```
There are no entries matching your query.
```



No results should appear when filtering for false in the restored parameter.

12. Giveback the node from the partner by entering the following command.

```
storage failover giveback -fromnode local
```

13. Restore automatic giveback, if you disabled it, by entering the following command.

```
storage failover modify -node local -auto-giveback true
```

14. If AutoSupport is enabled, restore automatic case creation by entering the following command.

```
system node autosupport invoke -node * -type all -message MAINT=END
```

### Option 2: Restore the External Key Manager configuration

Restore the External Key Manager configuration from the ONTAP boot menu.

#### Before you begin

You need the following information for restoring the External Key Manager (EKM) configuration.

- A copy of the `/cfcard/kmip/servers.cfg` file from another cluster node or the following information:
  - The KMIP server address.
  - The KMIP port.
- A copy of the `/cfcard/kmip/certs/client.crt` file from another cluster node or the client certificate.

- A copy of the `/cfcard/kmip/certs/client.key` file from another cluster node or the client key.
- A copy of the `/cfcard/kmip/certs/CA.pem` file from another cluster node or the KMIP server CA(s).

## Steps

1. Connect the console cable to the target controller.
2. Select option 11 from the ONTAP boot menu.

### Show example boot menu

```
(1) Normal Boot.
(2) Boot without /etc/rc.
(3) Change password.
(4) Clean configuration and initialize all disks.
(5) Maintenance mode boot.
(6) Update flash from backup config.
(7) Install new software first.
(8) Reboot node.
(9) Configure Advanced Drive Partitioning.
(10) Set Onboard Key Manager recovery secrets.
(11) Configure node for external key management.
Selection (1-11)? 11
```

3. When prompted, confirm you have gathered the required information.

### Show example prompt

```
Do you have a copy of the /cfcard/kmip/certs/client.crt file? {y/n}
Do you have a copy of the /cfcard/kmip/certs/client.key file? {y/n}
Do you have a copy of the /cfcard/kmip/certs/CA.pem file? {y/n}
Do you have a copy of the /cfcard/kmip/servers.cfg file? {y/n}
```

4. When prompted, enter the client and server information.

### Show prompt

```
Enter the client certificate (client.crt) file contents:
Enter the client key (client.key) file contents:
Enter the KMIP server CA(s) (CA.pem) file contents:
Enter the server configuration (servers.cfg) file contents:
```

### Show example

```
Enter the client certificate (client.crt) file contents:
-----BEGIN CERTIFICATE-----
<certificate_value>
-----END CERTIFICATE-----

Enter the client key (client.key) file contents:
-----BEGIN RSA PRIVATE KEY-----
<key_value>
-----END RSA PRIVATE KEY-----

Enter the KMIP server CA(s) (CA.pem) file contents:
-----BEGIN CERTIFICATE-----
<certificate_value>
-----END CERTIFICATE-----

Enter the IP address for the KMIP server: 10.10.10.10
Enter the port for the KMIP server [5696]:

System is ready to utilize external key manager(s).
Trying to recover keys from key servers....
kmp_init: configuring ports
Running command '/sbin/ifconfig e0M'
..
..
kmp_init: cmd: ReleaseExtraBSDPort e0M
```

After you enter the client and server information, the recovery process completes.

### Show example

```
System is ready to utilize external key manager(s).
Trying to recover keys from key servers....
Performing initialization of OpenSSL
Successfully recovered keymanager secrets.
```

5. Select option 1 from the boot menu to continue booting into ONTAP.

## Show example prompt

```
*****
*****
* Select option "(1) Normal Boot." to complete the recovery process.
*
*****
*****

(1) Normal Boot.
(2) Boot without /etc/rc.
(3) Change password.
(4) Clean configuration and initialize all disks.
(5) Maintenance mode boot.
(6) Update flash from backup config.
(7) Install new software first.
(8) Reboot node.
(9) Configure Advanced Drive Partitioning.
(10) Set Onboard Key Manager recovery secrets.
(11) Configure node for external key management.
Selection (1-11)? 1
```

6. Restore automatic giveback if you disabled it.

```
storage failover modify -node local -auto-giveback true
```

7. If AutoSupport is enabled, restore automatic case creation by entering the following command.

```
system node autosupport invoke -node * -type all -message MAINT=END
```

## Return the failed part to NetApp - AFF C250

Return the failed part to NetApp, as described in the RMA instructions shipped with the kit. See the [Part Return and Replacements](#) page for further information.

## Chassis

### Overview of chassis replacement - AFF C250

To replace the chassis, you must move the bezel, controller modules, and NVMe drives from the impaired chassis to the replacement chassis, and then remove the impaired chassis from the equipment rack or system cabinet and install the replacement chassis in its place.

### About this task

- All other components in the system must be functioning properly; if not, you must contact technical support.
- You can use this procedure with all versions of ONTAP supported by your system.
- This procedure is written with the assumption that you are moving the bezel, NVMe drives, and controller modules to the new chassis, and that the replacement chassis is a new component from NetApp.
- This procedure is disruptive. For a two-node cluster, you will have a complete service outage and a partial outage in a multi-node cluster.

## Shut down the controllers - AFF C250

This procedure is for systems with two node configurations. For more information about graceful shutdown when servicing a cluster, see [Gracefully shutdown and power up your storage system Resolution Guide - NetApp Knowledge Base](#).

### Before you begin

- Make sure you have the necessary permissions and credentials:
  - Local administrator credentials for ONTAP.
  - BMC accessibility for each controller.
- Make sure you have the necessary tools and equipment for the replacement.
- As a best practice before shutdown, you should:
  - Perform additional [system health checks](#).
  - Upgrade ONTAP to a recommended release for the system.
  - Resolve any [Active IQ Wellness Alerts and Risks](#). Make note of any faults presently on the system, such as LEDs on the system components.

### Steps

1. Log into the cluster through SSH or log in from any node in the cluster using a local console cable and a laptop/console.
2. Stop all clients/host from accessing data on the NetApp system.
3. Suspend external backup jobs.
4. If AutoSupport is enabled, suppress case creation and indicate how long you expect the system to be offline:

```
system node autosupport invoke -node * -type all -message "MAINT=2h Replace chassis"
```

5. Identify the SP/BMC address of all cluster nodes:

```
system service-processor show -node * -fields address
```

6. Exit the cluster shell:

```
exit
```

7. Log into SP/BMC over SSH using the IP address of any of the nodes listed in the output from the previous step to monitor progress.

If you are using a console/laptop, log into the controller using the same cluster administrator credentials.

8. Halt the two nodes located in the impaired chassis:

```
system node halt -node <node1>,<node2> -skip-lif-migration-before-shutdown  
true -ignore-quorum-warnings true -inhibit-takeover true
```



For clusters using SnapMirror synchronous operating in StrictSync mode: `system node halt -node <node1>,<node2> -skip-lif-migration-before-shutdown true -ignore-quorum-warnings true -inhibit-takeover true -ignore-strict -sync-warnings true`

9. Enter **y** for each controller in the cluster when you see:

```
Warning: Are you sure you want to halt node <node_name>? {y|n}:
```

10. Wait for each controller to halt and display the LOADER prompt.

### Replace hardware - AFF C250

To replace the chassis, you move the power supplies, hard drives, and controller module from the impaired chassis to the new chassis, and swap out the impaired chassis from with the new chassis of the same model as the impaired chassis.

#### Step 1: Remove the controller modules

To replace the chassis, you must remove the controller modules from the old chassis.

Use the following video or the tabulated steps to replace the chassis; it assumes the removal and replacement of the bezel:

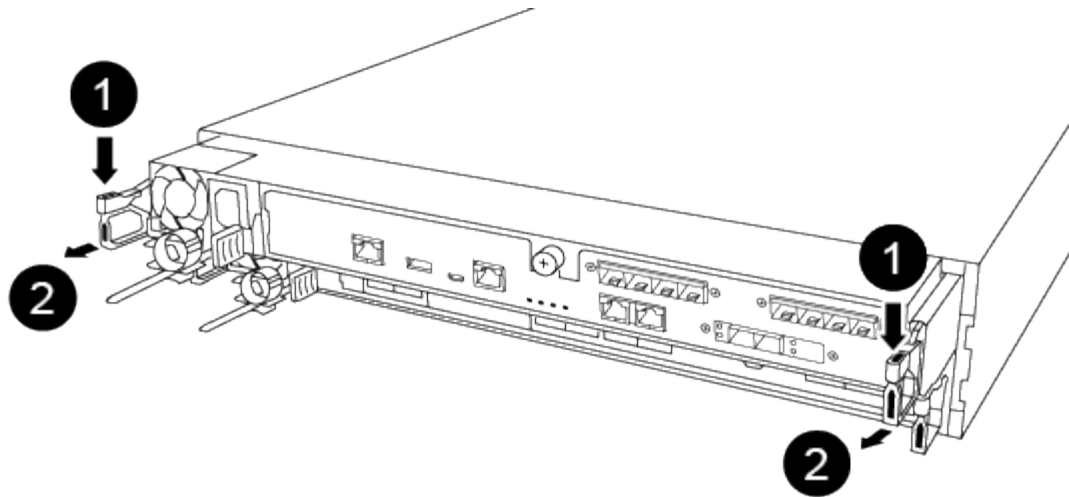
#### [Animation - Replace the chassis](#)

1. If you are not already grounded, properly ground yourself.
2. Unplug the controller module power supplies from the source.
3. Release the power cable retainers, and then unplug the cables from the power supplies.
4. Insert your forefinger into the latching mechanism on either side of the controller module, press the lever with your thumb, and gently pull the controller a few inches out of the chassis.



If you have difficulty removing the controller module, place your index fingers through the finger holes from the inside (by crossing your arms).





1	Lever
2	Latching mechanism

5. Using both hands, grasp the controller module sides and gently pull it out of the chassis and set it on a flat, stable surface.
6. Set the controller module aside in a safe place, and repeat these steps for the other controller module in the chassis.

### Step 2: Move drives to the new chassis

You need to move the drives from each bay opening in the old chassis to the same bay opening in the new chassis.

1. Gently remove the bezel from the front of the system.
2. Remove the drives:
  - a. Press the release button at the top of the carrier face below the LEDs.
  - b. Pull the cam handle to its fully open position to unseat the drive from the midplane, and then gently slide the drive out of the chassis.

The drive should disengage from the chassis, allowing it to slide free of the chassis.



When removing a drive, always use two hands to support its weight.



Drives are fragile. Handle them as little as possible to prevent damage to them.

3. Align the drive from the old chassis with the same bay opening in the new chassis.
4. Gently push the drive into the chassis as far as it will go.

The cam handle engages and begins to rotate upward.

5. Firmly push the drive the rest of the way into the chassis, and then lock the cam handle by pushing it up and against the drive holder.

Be sure to close the cam handle slowly so that it aligns correctly with the front of the drive carrier. It clicks when it is secure.

6. Repeat the process for the remaining drives in the system.

### **Step 3: Replace a chassis from within the equipment rack or system cabinet**

You must remove the existing chassis from the equipment rack or system cabinet before you can install the replacement chassis.

1. Remove the screws from the chassis mount points.
2. With two people, slide the old chassis off the rack rails in a system cabinet or equipment rack, and then set it aside.
3. If you are not already grounded, properly ground yourself.
4. Using two people, install the replacement chassis into the equipment rack or system cabinet by guiding the chassis onto the rack rails in a system cabinet or equipment rack.
5. Slide the chassis all the way into the equipment rack or system cabinet.
6. Secure the front of the chassis to the equipment rack or system cabinet, using the screws you removed from the old chassis.
7. If you have not already done so, install the bezel.

### **Step 4: Install the controller modules**

After you install the controller modules into the new chassis, you need to boot the system.

For HA pairs with two controller modules in the same chassis, the sequence in which you install the controller module is especially important because it attempts to reboot as soon as you completely seat it in the chassis.

1. Align the end of the controller module with the opening in the chassis, and then gently push the controller module halfway into the system.



Do not completely insert the controller module in the chassis until instructed to do so.

2. Recable the console to the controller module, and then reconnect the management port.
3. Insert the controller module into the chassis:
  - a. Ensure the latching mechanism arms are locked in the fully extended position.
  - b. Using both hands, align and gently slide the controller module into the latching mechanism arms until it stops.
  - c. Place your index fingers through the finger holes from the inside of the latching mechanism.
  - d. Press your thumbs down on the orange tabs on top of the latching mechanism and gently push the controller module over the stop.
  - e. Release your thumbs from the top of the latching mechanisms and continue pushing until the latching mechanisms snap into place.

The controller module should be fully inserted and flush with the edges of the chassis.

- a. Plug the power cords into the power supplies, reinstall the power cable locking collar, and then connect the power supplies to the power source.

The controller module begins to boot as soon as power is restored. Be prepared to interrupt the boot process.

4. Repeat the preceding steps to install the second controller into the new chassis.

### Complete the restoration and replacement process - AFF C250

You must verify the HA state of the chassis, and return the failed part to NetApp, as described in the RMA instructions shipped with the kit.

#### Step 1: Verify and set the HA state of the chassis

You must verify the HA state of the chassis, and, if necessary, update the state to match your system configuration.

1. In Maintenance mode, from either controller module, display the HA state of the local controller module and chassis: `ha-config show`

The HA state should be the same for all components.

2. If the displayed system state for the chassis does not match your system configuration:
  - a. Set the HA state for the chassis: `ha-config modify chassis HA-state`

The value for HA-state can be one of the following:

- ha
- mcc
- mccip
- non-ha

- b. Confirm that the setting has changed: `ha-config show`

3. If you have not already done so, recable the rest of your system.
4. Reinstall the bezel on the front of the system.

#### Step 2: Return the failed part to NetApp

Return the failed part to NetApp, as described in the RMA instructions shipped with the kit. See the [Part Return and Replacements](#) page for further information.

## Controller

### Overview of controller module replacement- AFF C250

You must review the prerequisites for the replacement procedure and select the correct one for your version of the ONTAP operating system.

- All drive shelves must be working properly.
- If your system is in a MetroCluster configuration, you must review the section [Choosing the correct recovery procedure](#) to determine whether you should use this procedure.

- You must replace the failed component with a replacement FRU component you received from your provider.
- You must be replacing a controller module with a controller module of the same model type. You cannot upgrade your system by just replacing the controller module.
- You cannot change any drives or drive shelves as part of this procedure.
- In this procedure, the boot device is moved from the impaired controller to the *replacement* controller so that the *replacement* controller will boot up in the same version of ONTAP as the old controller module.
- It is important that you apply the commands in these steps on the correct systems:
  - The *impaired* controller is the controller that is being replaced.
  - The *replacement* controller is the new controller that is replacing the impaired controller.
  - The *healthy* controller is the surviving controller.
- You must always capture the controller's console output to a text file.

This provides you a record of the procedure so that you can troubleshoot any issues that you might encounter during the replacement process.

### Shut down the impaired controller module - AFF C250

To shut down the impaired controller, you must determine the status of the controller and, if necessary, take over the controller so that the healthy controller continues to serve data from the impaired controller storage.

#### About this task

- If you have a SAN system, you must have checked event messages (`cluster kernel-service show`) for the impaired controller SCSI blade. The `cluster kernel-service show` command (from `priv advanced mode`) displays the node name, [quorum status](#) of that node, availability status of that node, and operational status of that node.

Each SCSI-blade process should be in quorum with the other nodes in the cluster. Any issues must be resolved before you proceed with the replacement.

- If you have a cluster with more than two nodes, it must be in quorum. If the cluster is not in quorum or a healthy controller shows false for eligibility and health, you must correct the issue before shutting down the impaired controller; see [Synchronize a node with the cluster](#).

#### Steps

1. If AutoSupport is enabled, suppress automatic case creation by invoking an AutoSupport message:

```
system node autosupport invoke -node * -type all -message MAINT=<# of hours>h
```

The following AutoSupport message suppresses automatic case creation for two hours:

```
cluster1:> system node autosupport invoke -node * -type all -message MAINT=2h
```

2. Disable automatic giveback:

- a. Enter the following command from the console of the healthy controller:

```
storage failover modify -node local -auto-giveback false
```

b. Enter `y` when you see the prompt *Do you want to disable auto-giveback?*

3. Take the impaired controller to the LOADER prompt:

If the impaired controller is displaying...	Then...
The LOADER prompt	Go to the next step.
Waiting for giveback...	Press Ctrl-C, and then respond <code>y</code> when prompted.
System prompt or password prompt	Take over or halt the impaired controller from the healthy controller:  <pre>storage failover takeover -ofnode impaired_node_name -halt true</pre> The <code>-halt true</code> parameter brings you to the LOADER prompt.

### Replace the controller module hardware - AFF C250

To replace the controller module hardware, you must remove the impaired controller, move FRU components to the replacement controller module, install the replacement controller module in the chassis, and then boot the system to Maintenance mode.

#### Step 1: Remove the controller module

You must remove the controller module from the chassis when you replace a component inside the controller module.

Make sure that you label the cables so that you know where they came from.

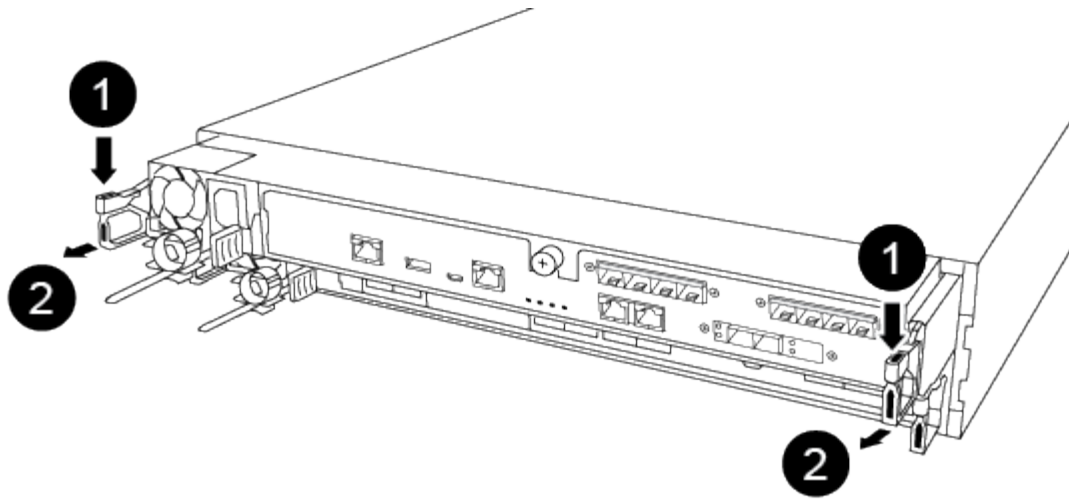
Use the following video or the tabulated steps to replace a controller module:

[Animation - Replace a controller module](#)

1. If you are not already grounded, properly ground yourself.
2. Unplug the controller module power supplies from the source.
3. Release the power cable retainers, and then unplug the cables from the power supplies.
4. Insert your forefinger into the latching mechanism on either side of the controller module, press the lever with your thumb, and gently pull the controller a few inches out of the chassis.

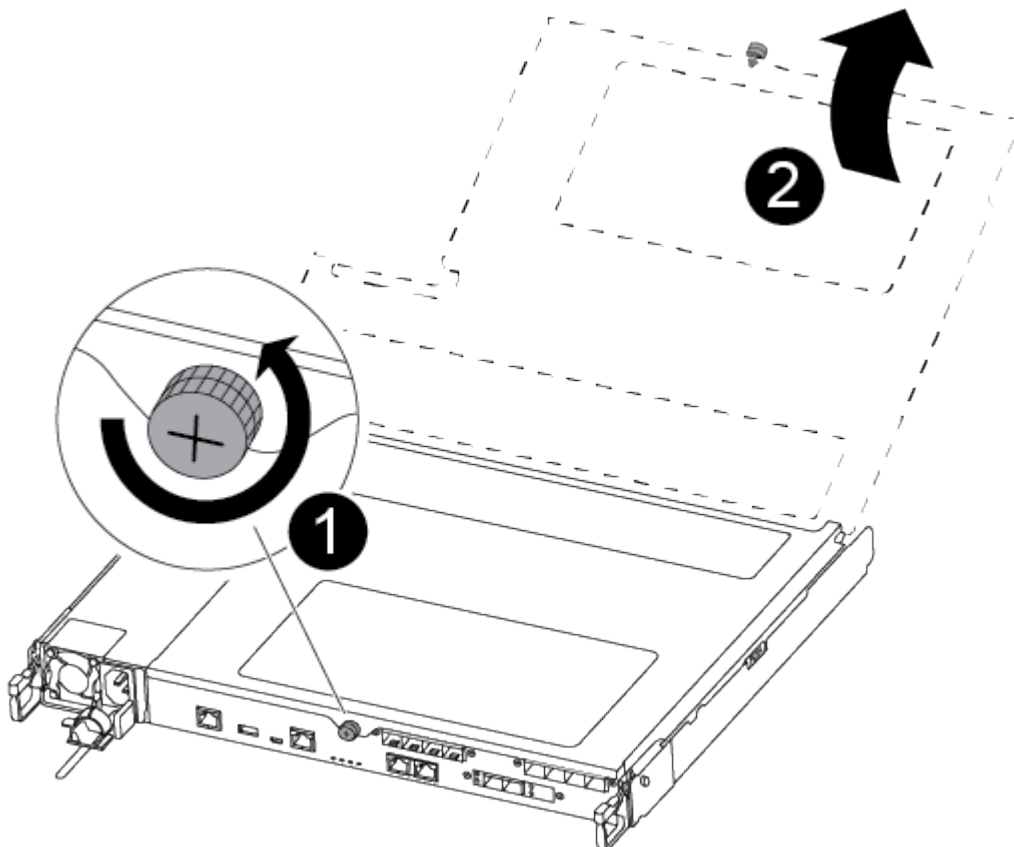


If you have difficulty removing the controller module, place your index fingers through the finger holes from the inside (by crossing your arms).



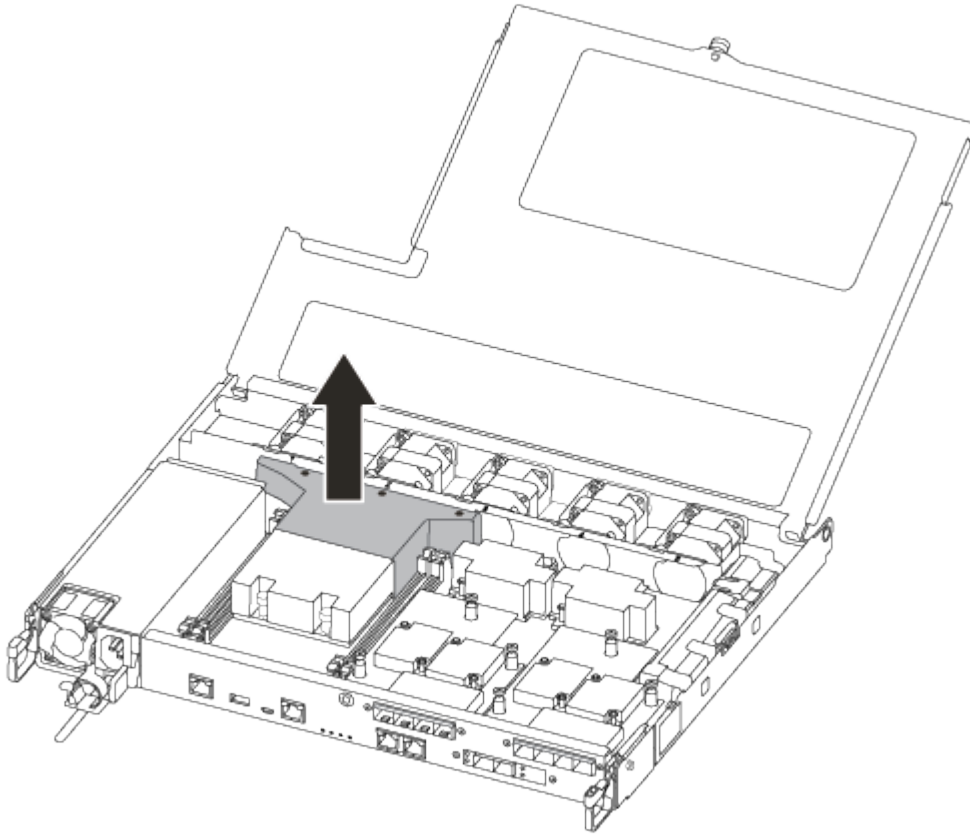
1	Lever
2	Latching mechanism

5. Using both hands, grasp the controller module sides and gently pull it out of the chassis and set it on a flat, stable surface.
6. Turn the thumbscrew on the front of the controller module anti-clockwise and open the controller module cover.



1	Thumbscrew
2	Controller module cover.

7. Lift out the air duct cover.



### Step 2: Move the power supply

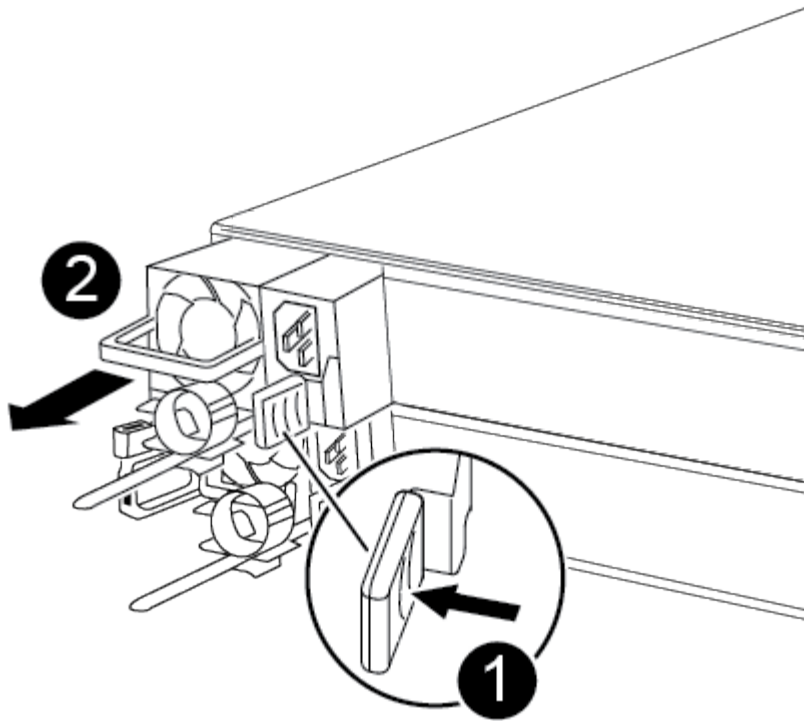
You must move the power supply from the impaired controller module to the replacement controller module when you replace a controller module.

1. Disconnect the power supply.
2. Open the power cable retainer, and then unplug the power cable from the power supply.
3. Unplug the power cable from the power source.
4. Rotate the cam handle such that it can be used to pull power supply out of the controller module while pressing the locking tab.



Do not use excessive force when sliding the controller module into the chassis to avoid damaging the connectors.

The power supply is short. Always use two hands to support it when removing it from the controller module so that it does not suddenly swing free from the controller module and injure you.



1	Blue power supply locking tab
2	Power supply

5. Move the power supply to the new controller module, and then install it.
6. Using both hands, support and align the edges of the power supply with the opening in the controller module, and then gently push the power supply into the controller module until the locking tab clicks into place.

The power supplies will only properly engage with the internal connector and lock in place one way.



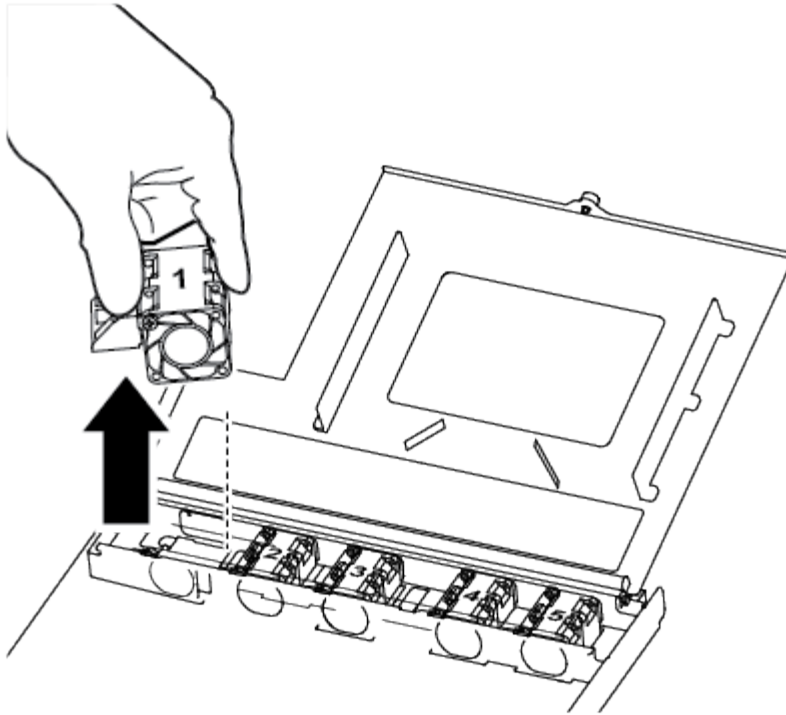
To avoid damaging the internal connector, do not use excessive force when sliding the power supply into the system.

### Step 3: Move the fans

You must move the fans from the impaired controller module to the replacement module when replacing a failed controller module.

1. Remove the fan module by pinching the side of the fan module, and then lifting the fan module straight out of the controller module.





<b>1</b>	Fan module
----------	------------

2. Move the fan module to the replacement controller module, and align the edges of the fan module with the opening in the controller module, and then slide the fan module in.
3. Repeat these steps for the remaining fan modules.

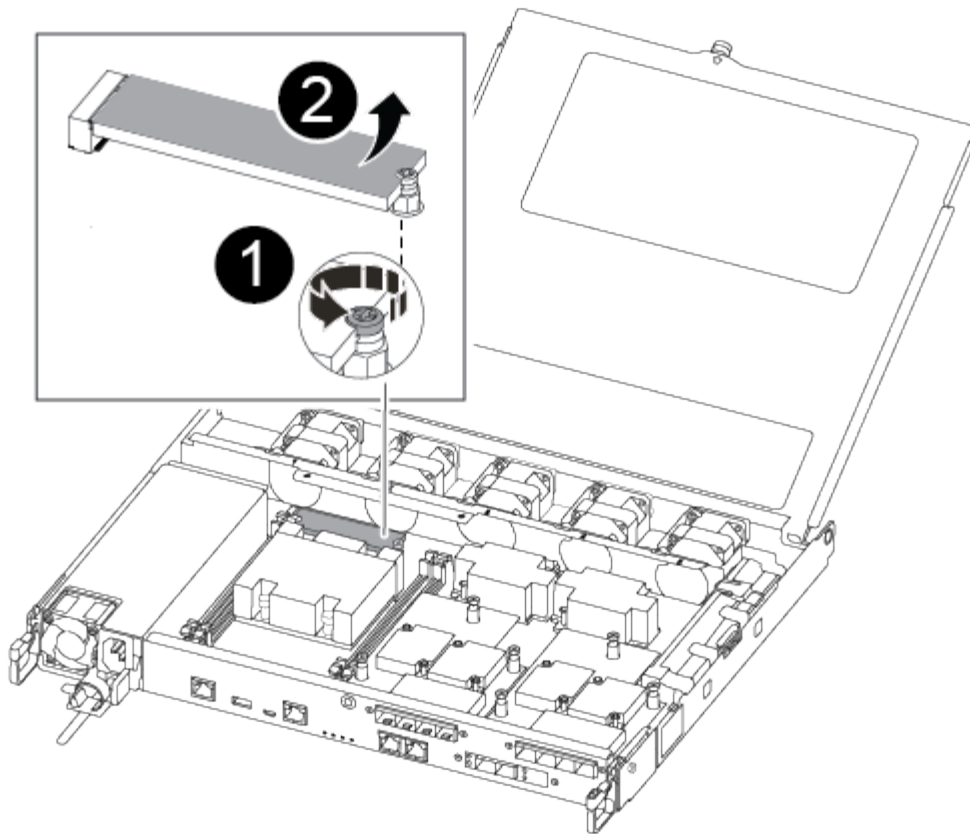
#### Step 4: Move the boot media

You must move the boot media device from the impaired controller module to the replacement controller module.

You need a #1 magnetic Phillips head screwdriver to remove the screw that holds the boot media in place. Due to the space constraints within the controller module, you should also have a magnet to transfer the screw on to so that you do not lose it.


1. Locate and move the boot media from the impaired controller module to the replacement controller module.

The boot media is located under the air duct cover you removed earlier in this procedure.



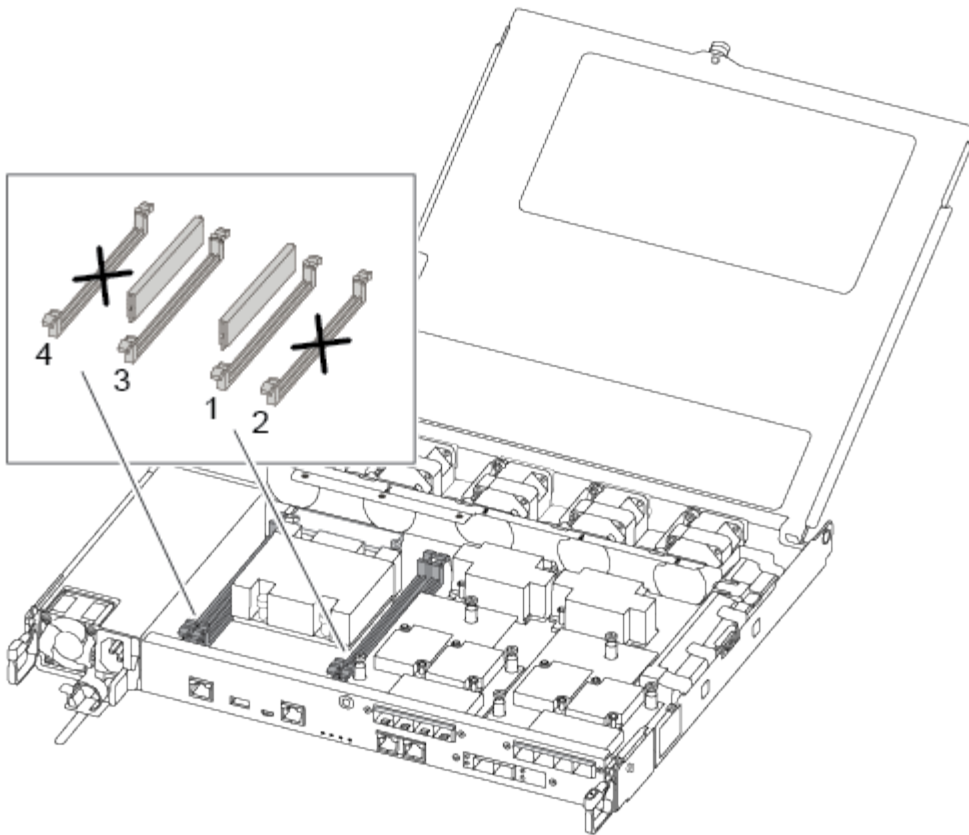
1	Remove the screw securing the boot media to the motherboard in the impaired controller module.
2	Lift the boot media out of the impaired controller module.

2. Using the #1 magnetic screwdriver, remove the screw from the boot media, and set it aside safely on the magnet.
3. Gently lift the boot media directly out of the socket and align it into place in the replacement controller module.
4. Using the #1 magnetic screwdriver, insert and tighten the screw on the boot media.

 Do not apply force when tightening the screw on the boot media; you might crack it.

#### Step 5: Move the DIMMs

To move the DIMMs, locate and move them from the impaired controller into the replacement controller and follow the specific sequence of steps.



Install each DIMM into the same slot it occupied in the impaired controller module.

1. Slowly push apart the DIMM ejector tabs on either side of the DIMM, and slide the DIMM out of the slot.



Hold the DIMM by the edges to avoid pressure on the components on the DIMM circuit board.

2. Locate the corresponding DIMM slot on the replacement controller module.
3. Make sure that the DIMM ejector tabs on the DIMM socket are in the open position, and then insert the DIMM squarely into the socket.

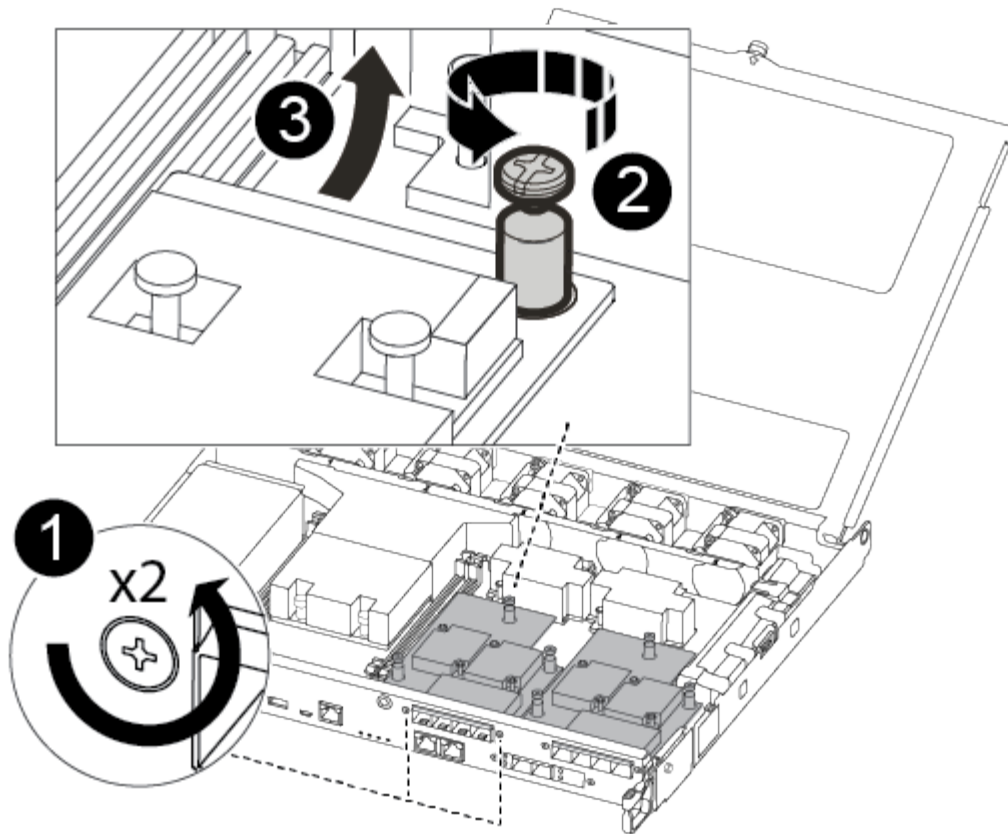
The DIMMs fit tightly in the socket. If not, reinsert the DIMM to realign it with the socket.

4. Visually inspect the DIMM to verify that it is evenly aligned and fully inserted into the socket.
5. Repeat these steps for the remaining DIMM.

#### Step 6: Move a mezzanine card

To move a mezzanine card, you must remove the cabling and any QSFPs and SFPs from the ports, move the mezzanine card to the replacement controller, reinstall any QSFPs and SFPs onto the ports, and cable the ports.

1. Locate and move the mezzanine cards from your impaired controller module.



1	Remove screws on the face of the controller module.
2	Loosen the screw in the controller module.
3	Move the mezzanine card.

2. Unplug any cabling associated with the mezzanine card.

Make sure that you label the cables so that you know where they came from.

- a. Remove any SFP or QSFP modules that might be in the mezzanine card and set it aside.
- b. Using the #1 magnetic screwdriver, remove the screws from the face of the impaired controller module and from the mezzanine card, and set them aside safely on the magnet.
- c. Gently lift the mezzanine card out of the socket and move it to the same position in the replacement controller.
- d. Gently align the mezzanine card into place in the replacement controller.
- e. Using the #1 magnetic screwdriver, insert and tighten the screws on the face of the replacement controller module and on the mezzanine card.



Do not apply force when tightening the screw on the mezzanine card; you might crack it.

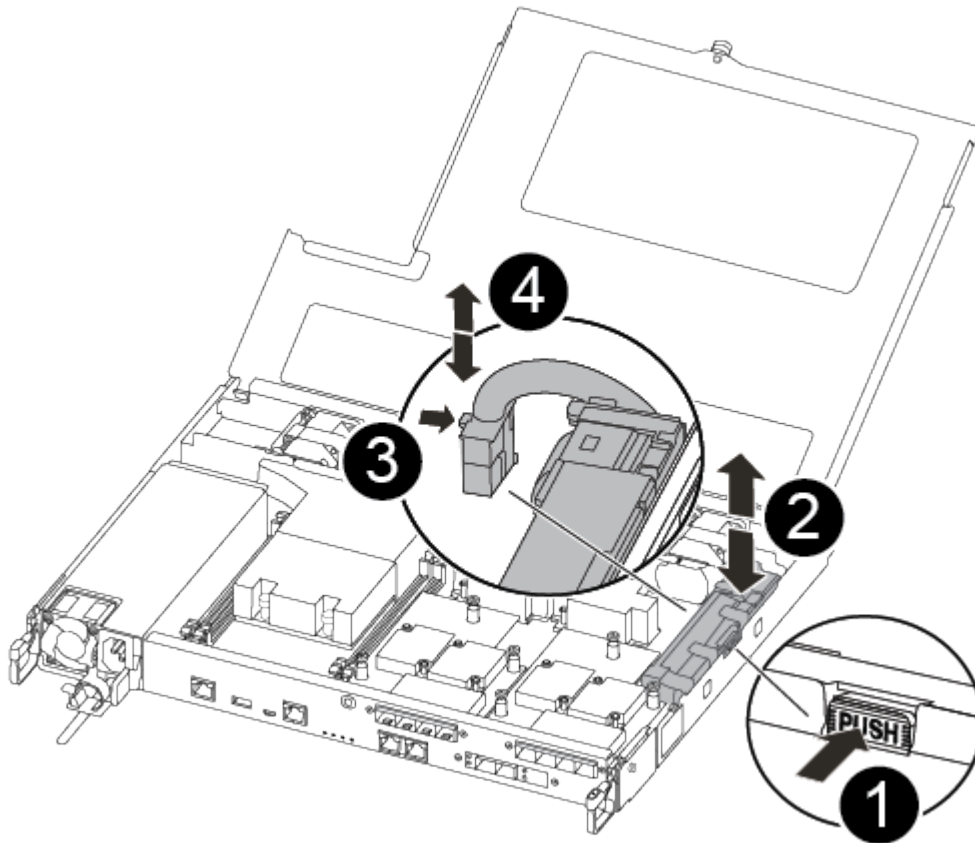
3. Repeat these steps if there is another mezzanine card in the impaired controller module.

4. Insert the SFP or QSFP modules that were removed onto the mezzanine card.

### Step 7: Move the NV battery

When replacing the controller module, you must move the NV battery from the impaired controller module to the replacement controller module.

1. Locate and move the NVMEM battery from your impaired controller module to the replacement controller module.



1	Squeeze the clip on the face of the battery plug.
2	Unplug the battery cable from the socket.
3	Grasp the battery and press the blue locking tab marked PUSH.
4	Lift the battery out of the holder and controller module.

2. Locate the battery plug and squeeze the clip on the face of the battery plug to release the plug from the socket.
3. Grasp the battery and press the blue locking tab marked PUSH, and then lift the battery out of the holder and controller module.
4. Locate the corresponding NV battery holder on the replacement controller module and align the NV battery

to the battery holder.

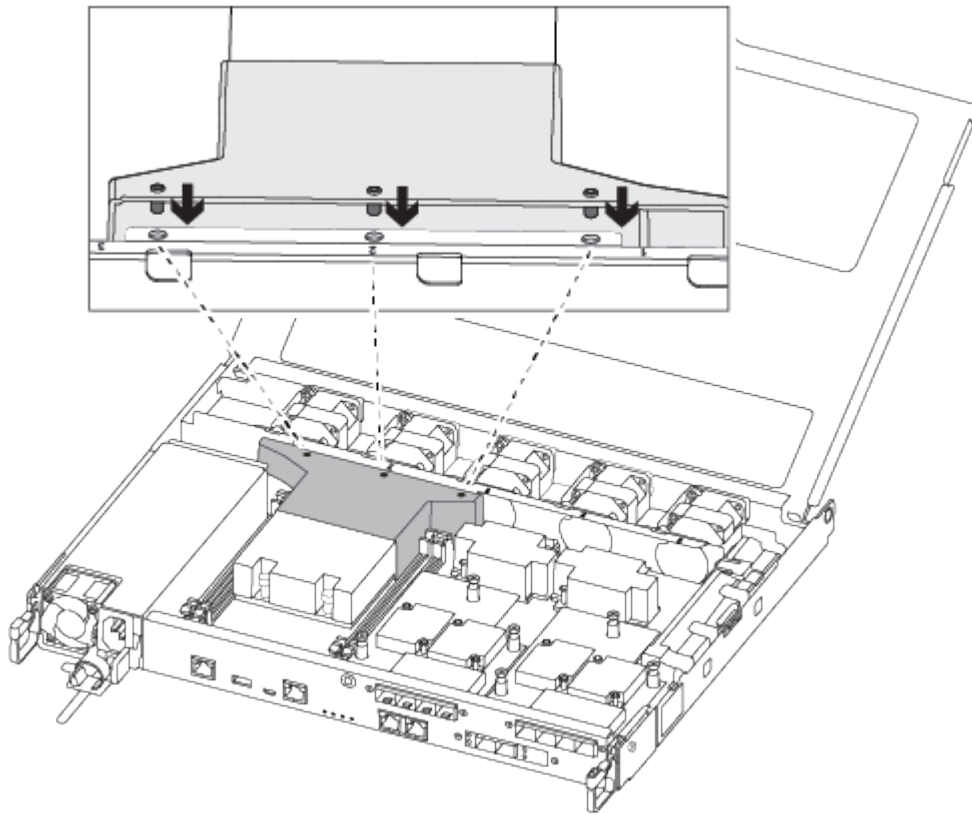
5. Insert the NV battery plug into the socket.
6. Slide the battery pack down along the sheet metal side wall until the support tabs on the side wall hook into the slots on the battery pack, and the battery pack latch engages and clicks into the opening on the side wall.
7. Press firmly down on the battery pack to make sure that it is locked into place.

#### **Step 8: Install the controller module**

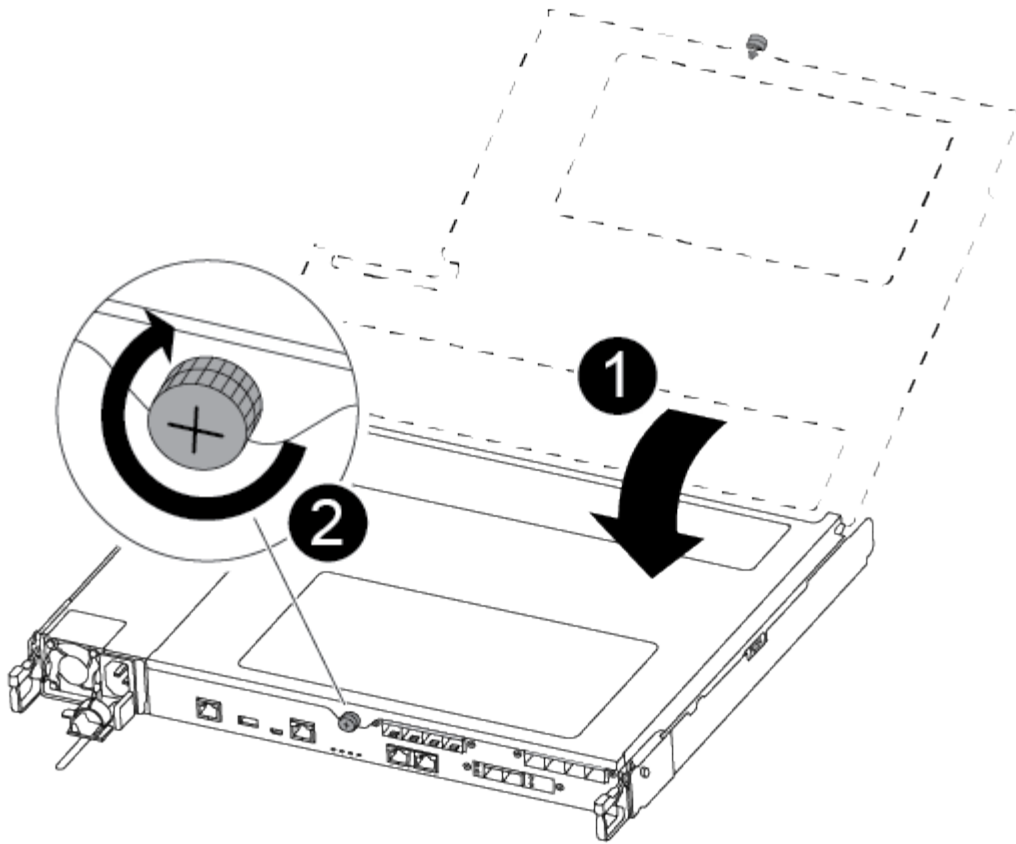
After all of the components have been moved from the impaired controller module to the replacement controller module, you must install the replacement controller module into the chassis, and then boot it to Maintenance mode.

You can use the following illustrations or the written steps to install the replacement controller module in the chassis.

1. If you have not already done so, install the air duct.




2. Close the controller module cover and tighten the thumbscrew.




1	Controller module cover
2	Thumbscrew

3. Align the end of the controller module with the opening in the chassis, and then gently push the controller module halfway into the system.

 Do not completely insert the controller module in the chassis until instructed to do so.

4. Cable the management and console ports only, so that you can access the system to perform the tasks in the following sections.

 You will connect the rest of the cables to the controller module later in this procedure.

5. Insert the controller module into the chassis:

- a. Ensure the latching mechanism arms are locked in the fully extended position.
- b. Using both hands, align and gently slide the controller module into the latching mechanism arms until it stops.
- c. Place your index fingers through the finger holes from the inside of the latching mechanism.
- d. Press your thumbs down on the orange tabs on top of the latching mechanism and gently push the controller module over the stop.
- e. Release your thumbs from the top of the latching mechanisms and continue pushing until the latching

mechanisms snap into place.

The controller module should be fully inserted and flush with the edges of the chassis.

- f. Plug the power cords into the power supplies, reinstall the power cable locking collar, and then connect the power supplies to the power source.

The controller module begins to boot as soon as power is restored. Be prepared to interrupt the boot process.

## Restore and verify the system configuration - AFF C250

After completing the hardware replacement and booting to Maintenance mode, you verify the low-level system configuration of the replacement controller and reconfigure system settings as necessary.

### Step 1: Set and verify system time after replacing the controller

You should check the time and date on the replacement controller module against the healthy controller module in an HA pair, or against a reliable time server in a stand-alone configuration. If the time and date do not match, you must reset them on the replacement controller module to prevent possible outages on clients due to time differences.

#### About this task

It is important that you apply the commands in the steps on the correct systems:

- The *replacement* node is the new node that replaced the impaired node as part of this procedure.
- The *healthy* node is the HA partner of the *replacement* node.

#### Steps

1. If the *replacement* node is not at the LOADER prompt, halt the system to the LOADER prompt.
2. On the *healthy* node, check the system time: `cluster date show`

The date and time are based on the configured timezone.

3. At the LOADER prompt, check the date and time on the *replacement* node: `show date`

The date and time are given in GMT.

4. If necessary, set the date in GMT on the replacement node: `set date mm/dd/yyyy`
5. If necessary, set the time in GMT on the replacement node: `set time hh:mm:ss`
6. At the LOADER prompt, confirm the date and time on the *replacement* node: `show date`

The date and time are given in GMT.

### Step 2: Verify and set the HA state of the controller

You must verify the HA state of the controller module and, if necessary, update the state to match your system configuration.



1. In Maintenance mode from the new controller module, verify that all components display the same HA state: `ha-config show`

The HA state should be the same for all components.

2. If the displayed system state of the controller module does not match your system configuration, set the HA state for the controller module: `ha-config modify controller ha-state`

The value for HA-state can be one of the following:

- ha
- mcc
- mccip
- non-ha

3. If the displayed system state of the controller module does not match your system configuration, set the HA state for the controller module: `ha-config modify controller ha-state`

4. Confirm that the setting has changed: `ha-config show`

## Recable the system and reassign disks - AFF C250

Continue the replacement procedure by recabling the storage and confirming disk reassignment.

### Step 1: Recable the system

Verify the controller module's storage and network connections.

#### Steps

1. Verify that the cabling is correct by using [Active IQ Config Advisor](#).
  - a. Download and install Config Advisor.
  - b. Enter the information for the target system, and then click Collect Data.
  - c. Click the Cabling tab, and then examine the output. Make sure that all disk shelves are displayed and all disks appear in the output, correcting any cabling issues you find.
  - d. Check other cabling by clicking the appropriate tab, and then examining the output from Config Advisor.

### Step 2: Reassign disks

If the storage system is in an HA pair, the system ID of the new controller module is automatically assigned to the disks when the giveback occurs at the end of the procedure. You must confirm the system ID change when you boot the *replacement* controller and then verify that the change was implemented.

This procedure applies only to systems running ONTAP in an HA pair.

1. If the *replacement* controller is in Maintenance mode (showing the `*>` prompt, exit Maintenance mode and go to the LOADER prompt: `halt`
2. From the LOADER prompt on the *replacement* controller, boot the controller, entering `y` if you are prompted to override the system ID due to a system ID mismatch:
3. Wait until the `Waiting for giveback...` message is displayed on the *replacement* controller console and

then, from the healthy controller, verify that the new partner system ID has been automatically assigned:  
`storage failover show`

In the command output, you should see a message that the system ID has changed on the impaired controller, showing the correct old and new IDs. In the following example, node2 has undergone replacement and has a new system ID of 151759706.

```
node1> `storage failover show`
```

Node	Partner	Takeover Possible	State Description
node1	node2	false	System ID changed on partner (Old: 151759706), In takeover
node2	node1	-	Waiting for giveback (HA mailboxes)

4. From the healthy controller, verify that any coredumps are saved:

a. Change to the advanced privilege level: `set -privilege advanced`

You can respond `y` when prompted to continue into advanced mode. The advanced mode prompt appears (`*>`).

b. Save any coredumps: `system node run -node local-node-name partner savecore`

c. Wait for the `savecore` command to complete before issuing the giveback.

You can enter the following command to monitor the progress of the `savecore` command: `system node run -node local-node-name partner savecore -s`

d. Return to the admin privilege level: `set -privilege admin`

5. If your storage system has Storage or Volume Encryption configured, you must restore Storage or Volume Encryption functionality by using one of the following procedures, depending on whether you are using onboard or external key management:

- [Restore onboard key management encryption keys](#)
- [Restore external key management encryption keys](#)

6. Give back the controller:

a. From the healthy controller, give back the replaced controller's storage: `storage failover giveback -ofnode replacement_node_name`

The *replacement* controller takes back its storage and completes booting.

If you are prompted to override the system ID due to a system ID mismatch, you should enter `y`.



If the giveback is vetoed, you can consider overriding the vetoes.

Find the High-Availability Configuration content for your version of ONTAP 9

- b. After the giveback has been completed, confirm that the HA pair is healthy and that takeover is possible: `storage failover show`

The output from the `storage failover show` command should not include the System ID changed on partner message.

- 7. Verify that the disks were assigned correctly: `storage disk show -ownership`

The disks belonging to the *replacement* controller should show the new system ID. In the following example, the disks owned by node1 now show the new system ID, 1873775277:

```
node1> `storage disk show -ownership`
```

Disk	Aggregate	Home	Owner	DR Home	Home ID	Owner ID	DR Home ID
Reserver	Pool						
1.0.0	aggr0_1	node1	node1	-	1873775277	1873775277	-
1873775277	Pool0						
1.0.1	aggr0_1	node1	node1		1873775277	1873775277	-
1873775277	Pool0						

.

.

.

- 8. If the system is in a MetroCluster configuration, monitor the status of the controller: `metrocluster node show`

The MetroCluster configuration takes a few minutes after the replacement to return to a normal state, at which time each controller will show a configured state, with DR Mirroring enabled and a mode of normal. The `metrocluster node show -fields node-systemid` command output displays the old system ID until the MetroCluster configuration returns to a normal state.

- 9. If the controller is in a MetroCluster configuration, depending on the MetroCluster state, verify that the DR home ID field shows the original owner of the disk if the original owner is a controller on the disaster site.

This is required if both of the following are true:

- The MetroCluster configuration is in a switchover state.
- The *replacement* controller is the current owner of the disks on the disaster site.

Disk ownership changes during HA takeover and MetroCluster switchover in a four-node MetroCluster configuration

- 10. If your system is in a MetroCluster configuration, verify that each controller is configured: `metrocluster node show - fields configuration-state`

```

node1_siteA::> metrocluster node show -fields configuration-state

dr-group-id          cluster node          configuration-state
-----
-----
1 node1_siteA        node1mcc-001         configured
1 node1_siteA        node1mcc-002         configured
1 node1_siteB        node1mcc-003         configured
1 node1_siteB        node1mcc-004         configured

4 entries were displayed.

```

11. Verify that the expected volumes are present for each controller: `vol show -node node-name`
12. If you disabled automatic takeover on reboot, enable it from the healthy controller: `storage failover modify -node replacement-node-name -onreboot true`

### Complete system restoration - AFF C250

To restore your system to full operation, you must restore the NetApp Storage Encryption configuration (if necessary), and install licenses for the new controller, and return the failed part to NetApp, as described in the RMA instructions shipped with the kit.

#### Step 1: Install licenses for the replacement controller in ONTAP

You must install new licenses for the *replacement* node if the impaired node was using ONTAP features that require a standard (node-locked) license. For features with standard licenses, each node in the cluster should have its own key for the feature.

#### About this task

Until you install license keys, features requiring standard licenses continue to be available to the *replacement* node. However, if the impaired node was the only node in the cluster with a license for the feature, no configuration changes to the feature are allowed.

Also, using unlicensed features on the node might put you out of compliance with your license agreement, so you should install the replacement license key or keys on the *replacement* node as soon as possible.

#### Before you begin

The licenses keys must be in the 28-character format.

You have a 90-day grace period in which to install the license keys. After the grace period, all old licenses are invalidated. After a valid license key is installed, you have 24 hours to install all of the keys before the grace period ends.



If your system was initially running ONTAP 9.10.1 or later, use the procedure documented in [Post Motherboard Replacement Process to update Licensing on a AFF/FAS system](#). If you are unsure of the initial ONTAP release for your system, see [NetApp Hardware Universe](#) for more information.

#### Steps

1. If you need new license keys, obtain replacement license keys on the [NetApp Support Site](#) in the My Support section under Software licenses.



The new license keys that you require are automatically generated and sent to the email address on file. If you fail to receive the email with the license keys within 30 days, you should contact technical support.

2. Install each license key: `system license add -license-code license-key, license-key...`
3. Remove the old licenses, if desired:
  - a. Check for unused licenses: `license clean-up -unused -simulate`
  - b. If the list looks correct, remove the unused licenses: `license clean-up -unused`

## Step 2: Verify LIFs and registering the serial number

Before returning the *replacement* node to service, you should verify that the LIFs are on their home ports, and register the serial number of the *replacement* node if AutoSupport is enabled, and reset automatic giveback.

### Steps

1. Verify that the logical interfaces are reporting to their home server and ports: `network interface show -is-home false`  
  
If any LIFs are listed as false, revert them to their home ports: `network interface revert -vserver * -lif *`
2. Register the system serial number with NetApp Support.
  - If AutoSupport is enabled, send an AutoSupport message to register the serial number.
  - If AutoSupport is not enabled, call [NetApp Support](#) to register the serial number.
3. Check the health of your cluster. See the [How to perform a cluster health check with a script in ONTAP KB](#) article for more information.
4. If an AutoSupport maintenance window was triggered, end it by using the `system node autosupport invoke -node * -type all -message MAINT=END` command.
5. If automatic giveback was disabled, reenable it: `storage failover modify -node local -auto-giveback true`

## Step 3: Return the failed part to NetApp

Return the failed part to NetApp, as described in the RMA instructions shipped with the kit. See the [Part Return and Replacements](#) page for further information.

## Replace a DIMM - AFF C250

You must replace a DIMM in the controller when your storage system encounters errors such as, excessive CECC (Correctable Error Correction Codes) errors that are based on Health Monitor alerts or uncorrectable ECC errors, typically caused by a single DIMM failure preventing the storage system from booting ONTAP.

### About this task

All other components in the system must be functioning properly; if not, you must contact technical support.

You must replace the failed component with a replacement FRU component you received from your provider.

## Step 1: Shut down the impaired controller

To shut down the impaired controller, you must determine the status of the controller and, if necessary, take over the controller so that the healthy controller continues to serve data from the impaired controller storage.

### About this task

- If you have a SAN system, you must have checked event messages (`cluster kernel-service show`) for the impaired controller SCSI blade. The `cluster kernel-service show` command (from `priv advanced` mode) displays the node name, [quorum status](#) of that node, availability status of that node, and operational status of that node.

Each SCSI-blade process should be in quorum with the other nodes in the cluster. Any issues must be resolved before you proceed with the replacement.

- If you have a cluster with more than two nodes, it must be in quorum. If the cluster is not in quorum or a healthy controller shows `false` for eligibility and health, you must correct the issue before shutting down the impaired controller; see [Synchronize a node with the cluster](#).

### Steps

1. If AutoSupport is enabled, suppress automatic case creation by invoking an AutoSupport message:

```
system node autosupport invoke -node * -type all -message MAINT=<# of hours>h
```

The following AutoSupport message suppresses automatic case creation for two hours:

```
cluster1:> system node autosupport invoke -node * -type all -message MAINT=2h
```

2. Disable automatic giveback:

- a. Enter the following command from the console of the healthy controller:

```
storage failover modify -node local -auto-giveback false
```

- b. Enter `y` when you see the prompt *Do you want to disable auto-giveback?*

3. Take the impaired controller to the LOADER prompt:

If the impaired controller is displaying...	Then...
The LOADER prompt	Go to the next step.
Waiting for giveback...	Press Ctrl-C, and then respond <code>y</code> when prompted.
System prompt or password prompt	Take over or halt the impaired controller from the healthy controller: <pre>storage failover takeover -ofnode impaired_node_name -halt true</pre> The <code>-halt true</code> parameter brings you to the LOADER prompt.

## Step 2: Remove the controller module

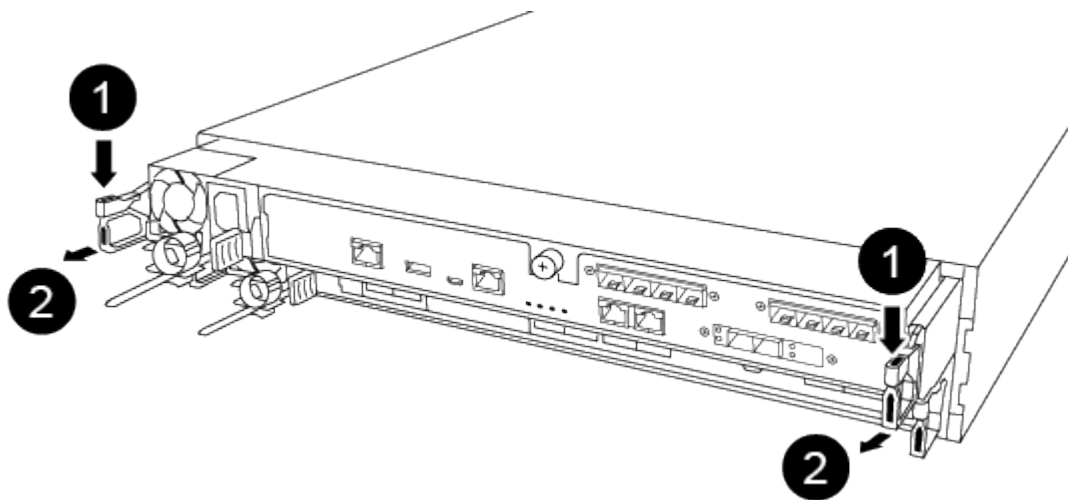
You must remove the controller module from the chassis when you replace a component inside the controller module.

Make sure that you label the cables so that you know where they came from.

1. If you are not already grounded, properly ground yourself.
2. Unplug the controller module power supplies from the source.
3. Release the power cable retainers, and then unplug the cables from the power supplies.
4. Insert your forefinger into the latching mechanism on either side of the controller module, press the lever with your thumb, and gently pull the controller a few inches out of the chassis.

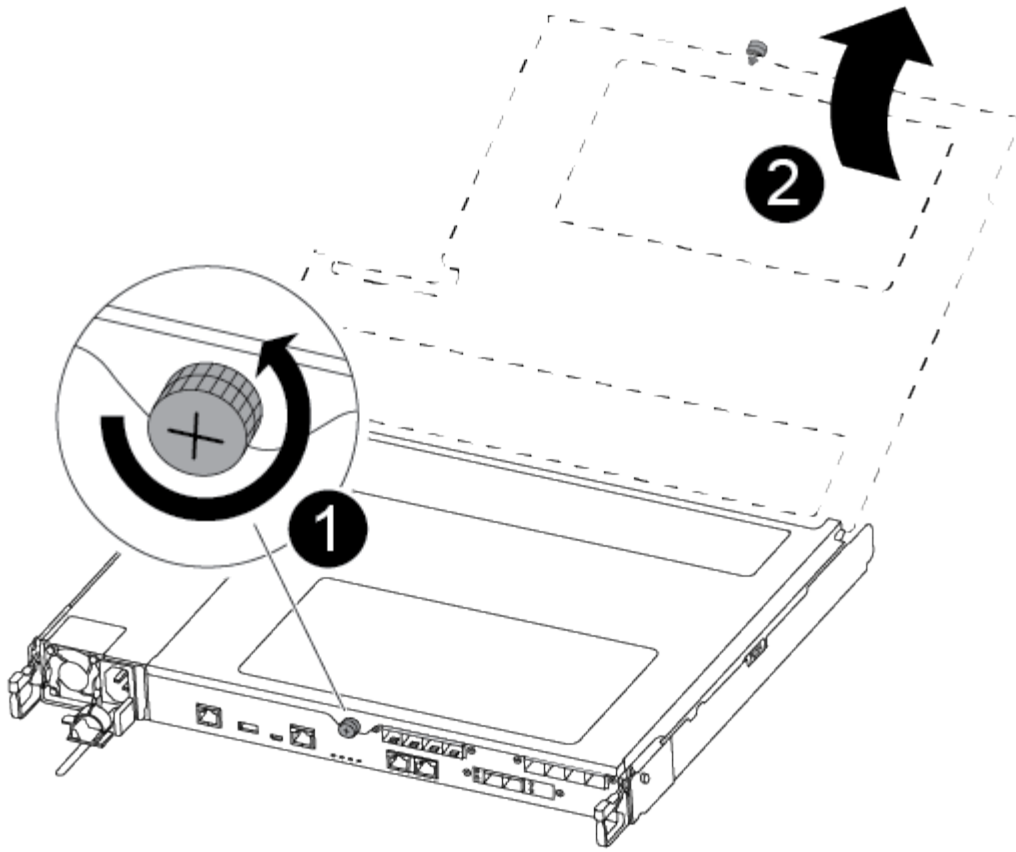


If you have difficulty removing the controller module, place your index fingers through the finger holes from the inside (by crossing your arms).



1	Lever
2	Latching mechanism

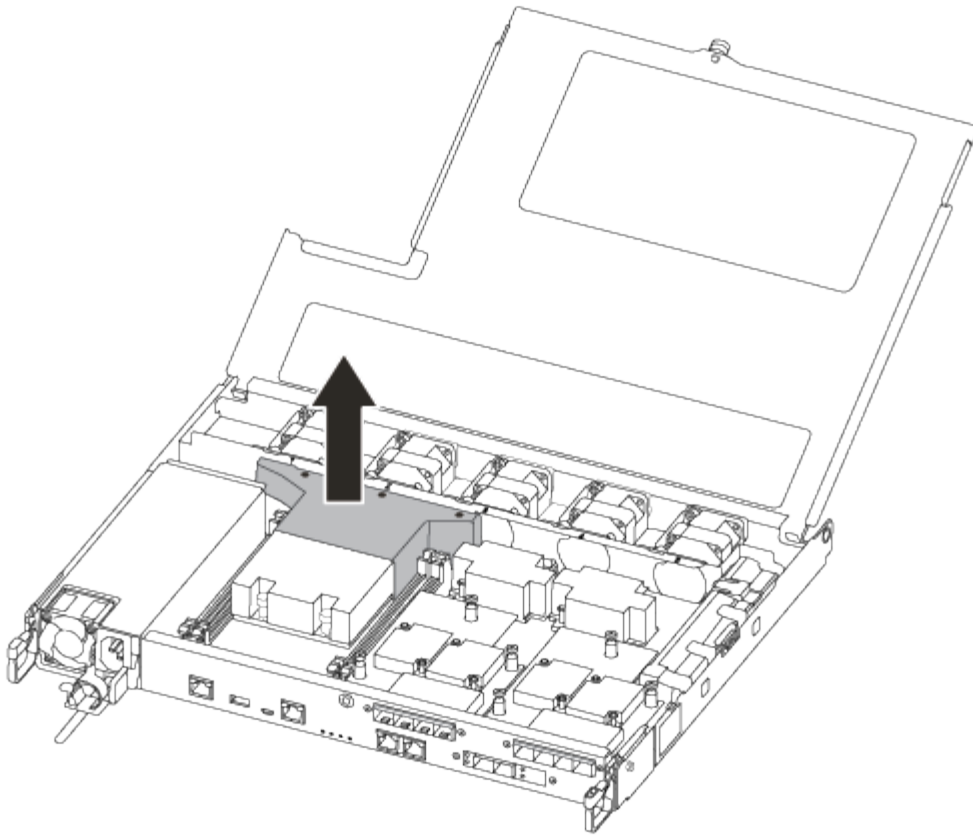
5. Using both hands, grasp the controller module sides and gently pull it out of the chassis and set it on a flat, stable surface.
6. Turn the thumbscrew on the front of the controller module anti-clockwise and open the controller module cover.



1	Thumbscrew
2	Controller module cover.

7. Lift out the air duct cover.





### Step 3: Replace a DIMM

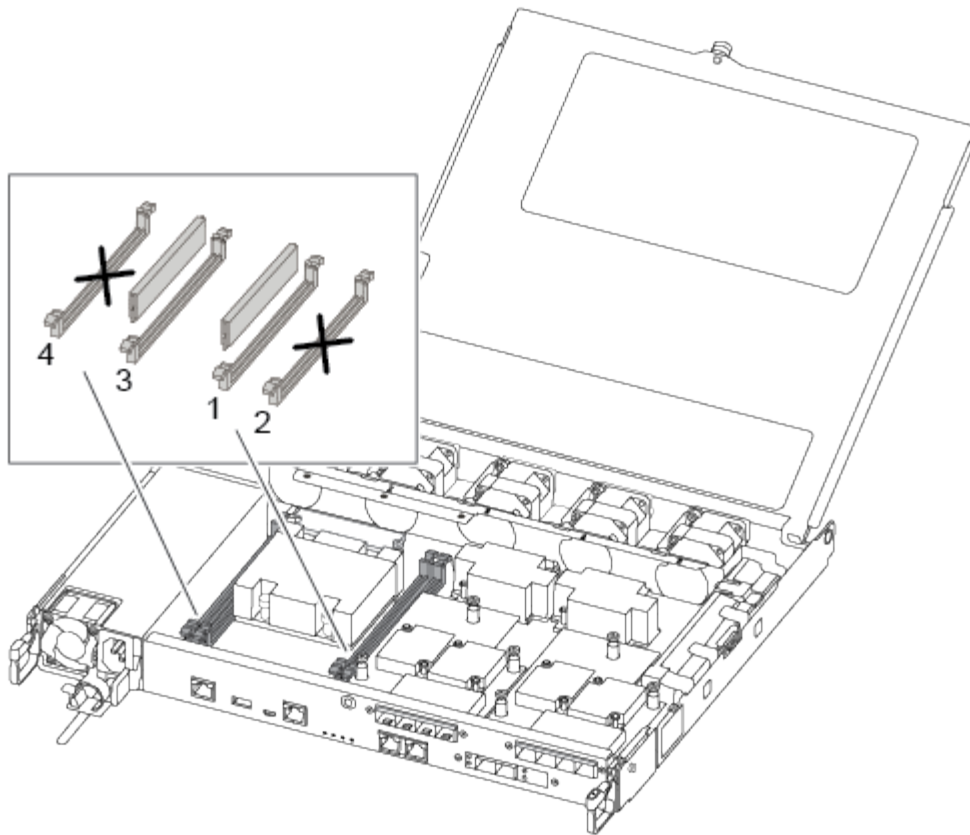
To replace a DIMM, you must locate it in the controller module using the DIMM map label on top of the air duct and then replace it following the specific sequence of steps.

Use the following video or the tabulated steps to replace a DIMM:

[Animation - Replace a DIMM](#)

1. Replace the impaired DIMM on your controller module.

The DIMMs are in slot 3 or 1 on the motherboard. Slot 2 and 4 are left empty. Do not attempt to install DIMMs into these slots.



2. Note the orientation of the DIMM in the socket so that you can insert the replacement DIMM in the proper orientation.
3. Slowly push apart the DIMM ejector tabs on either side of the DIMM, and slide the DIMM out of the slot.
4. Leave DIMM ejector tabs on the connector in the open position.
5. Remove the replacement DIMM from the antistatic shipping bag, hold the DIMM by the corners, and align it to the slot.



Hold the DIMM by the edges to avoid pressure on the components on the DIMM circuit board.

6. Insert the replacement DIMM squarely into the slot.

The DIMMs fit tightly in the socket. If not, reinsert the DIMM to realign it with the socket.

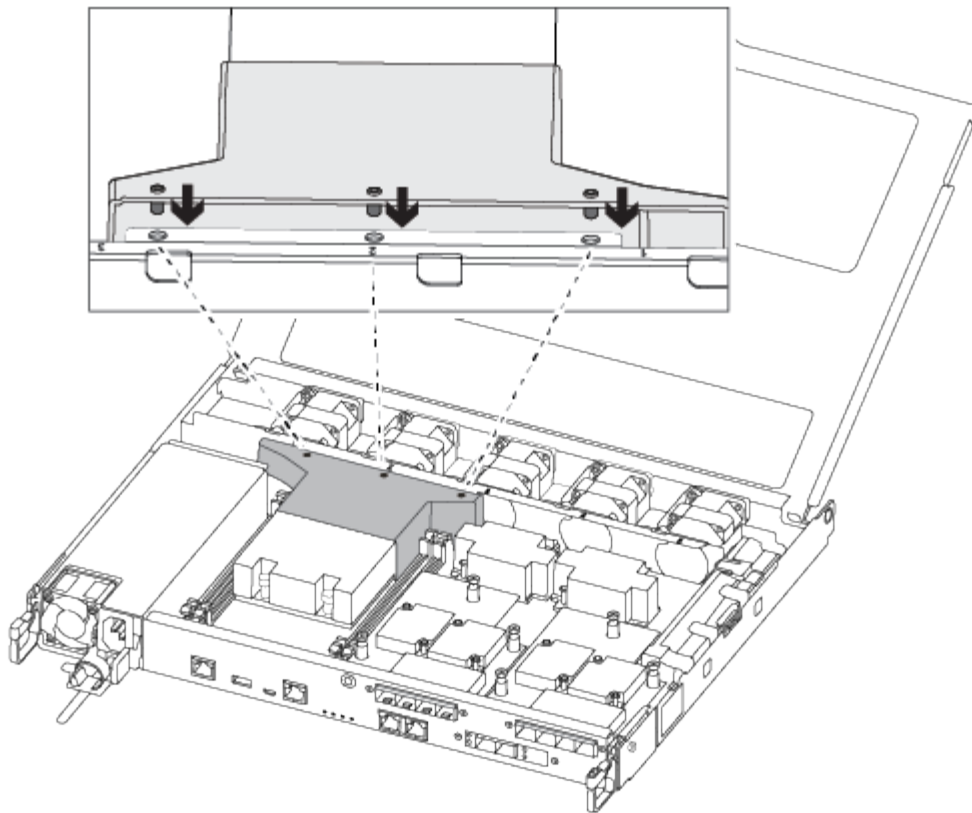
7. Visually inspect the DIMM to verify that it is evenly aligned and fully inserted into the socket.

#### Step 4: Install the controller module

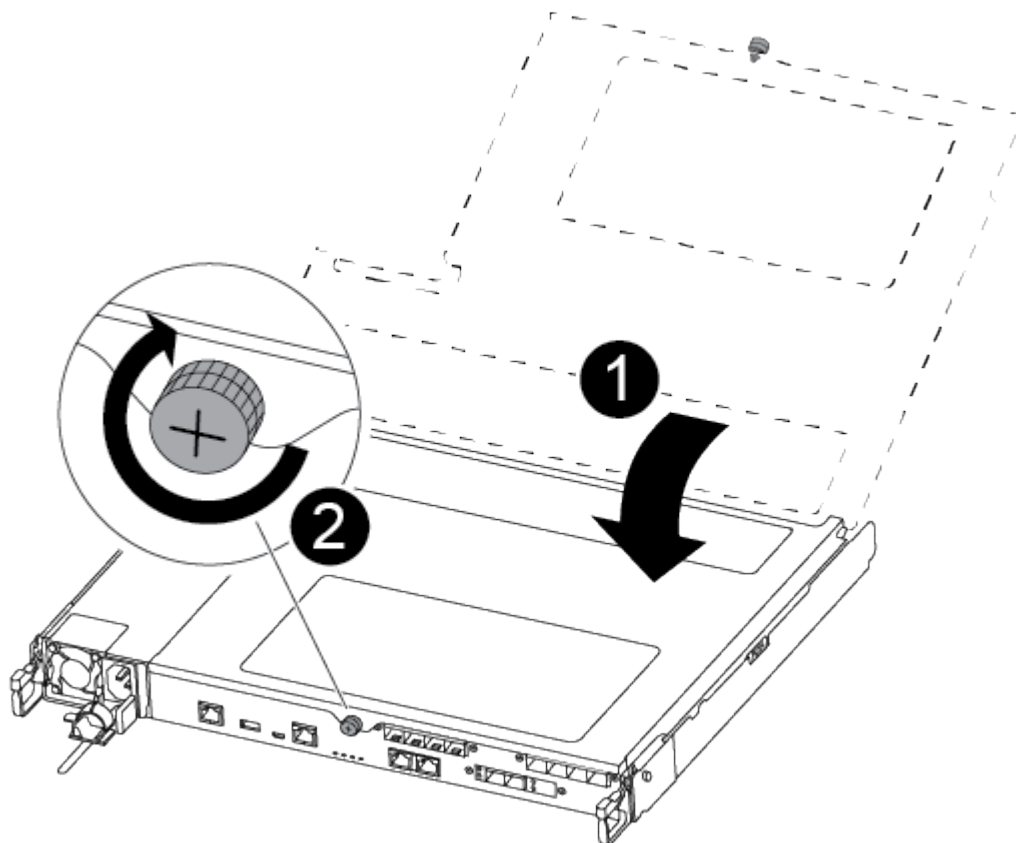
After you have replaced the component in the controller module, you must reinstall the controller module into the chassis, and then boot it.

You can use the following illustrations or the written steps to install the replacement controller module in the chassis.

1. If you have not already done so, install the air duct.



2. Close the controller module cover and tighten the thumbscrew.



<b>1</b>	Controller module cover
<b>2</b>	Thumbscrew

3. Insert the controller module into the chassis:

- a. Ensure the latching mechanism arms are locked in the fully extended position.
- b. Using both hands, align and gently slide the controller module into the latching mechanism arms until it stops.
- c. Place your index fingers through the finger holes from the inside of the latching mechanism.
- d. Press your thumbs down on the orange tabs on top of the latching mechanism and gently push the controller module over the stop.
- e. Release your thumbs from the top of the latching mechanisms and continue pushing until the latching mechanisms snap into place.

The controller module should be fully inserted and flush with the edges of the chassis.

4. Plug the power cords into the power supplies, reinstall the power cable locking collar, and then connect the power supplies to the power source.

The controller module begins to boot as soon as power is restored. Be prepared to interrupt the boot process.

5. Recable the system, as needed.

6. Return the controller to normal operation by giving back its storage: `storage failover giveback -ofnode impaired_node_name`

7. If automatic giveback was disabled, reenable it: `storage failover modify -node local -auto-giveback true`

### Step 5: Return the failed part to NetApp

Return the failed part to NetApp, as described in the RMA instructions shipped with the kit. See the [Part Return and Replacements](#) page for further information.

## Replace SSD drive - AFF C250

You can replace a failed SSD drive nondisruptively while I/O is in progress.

When a drive fails, the platform logs a warning message to the system console indicating which drive has failed. In addition, both the fault LED on the operator display panel and the fault LED on the failed drive are illuminated.

### Before you begin

- Follow best practice and install the current version of the Disk Qualification Package (DQP) before replacing a drive.
- Identify the failed disk drive by running the `storage disk show -broken` command from the system console.

The failed drive appears in the list of failed drives. If it does not, you should wait, and then run the command again.

It can take up to several hours for the drive to appear in the list of failed drives.

- Determine whether SED authentication is enabled.

How you replace the disk depends on how the disk drive is being used. If SED authentication is enabled, you must use the SED replacement instructions in the [ONTAP 9 NetApp Encryption Power Guide](#). These instructions describe additional steps you must perform before and after replacing an SED.

- Make sure the replacement drive is supported by your platform. See [NetApp Hardware Universe](#).
- Make sure all other components in the system are functioning properly; if not, you must contact technical support.

### About this task

Drive firmware is automatically updated (nondisruptively) on new drives that have non-current firmware versions.

When replacing several disk drives, you must wait 70 seconds between the removal of each failed disk drive and the insertion of the replacement disk drive to allow the storage system to recognize the existence of each new disk.

You manually assign drive ownership and then reenables automatic drive assignment later in this procedure.

### Steps

1. If you want to manually assign drive ownership for the replacement drive, you need to disable automatic drive assignment, if it is enabled.

- a. Verify whether automatic drive assignment is enabled: `storage disk option show`

You can enter the command on either controller module.

If automatic drive assignment is enabled, the output shows `on` in the “Auto Assign” column (for each controller module).

- b. If automatic drive assignment is enabled, disable it: `storage disk option modify -node node_name -autoassign off`

You must disable automatic drive assignment on both controller modules.

2. Properly ground yourself.
3. Physically identify the failed drive.

When a drive fails, the system logs a warning message to the system console indicating which drive failed. Additionally, the attention (amber) LED on the drive shelf operator display panel and the failed drive illuminate.



The activity (green) LED on a failed drive can be illuminated (solid), which indicates that the drive has power, but should not be blinking, which indicates I/O activity. A failed drive has no I/O activity.

4. Remove the failed drive:

- a. Press the release button on the drive face to open the cam handle.
  - b. Slide the drive out of the shelf using the cam handle and supporting the drive with your other hand.
5. Wait a minimum of 70 seconds before inserting the replacement drive.

This allows the system to recognize that a drive was removed.

6. Insert the replacement drive:
- a. With the cam handle in the open position, use both hands to insert the replacement drive.
  - b. Push until the drive stops.
  - c. Close the cam handle so that the drive is fully seated into the midplane and the handle clicks into place.

Be sure to close the cam handle slowly so that it aligns correctly with the face of the drive.

7. Verify that the drive's activity (green) LED is illuminated.

When the drive's activity LED is solid, it means that the drive has power. When the drive's activity LED is blinking, it means that the drive has power and I/O is in progress. If the drive firmware is automatically updating, the LED blinks.

8. If you are replacing another drive, repeat steps 3 through 7.
9. If you disabled automatic drive assignment in Step 1, then, manually assign drive ownership and then reenables automatic drive assignment if needed.
- a. Display all unowned drives:

```
storage disk show -container-type unassigned
```

You can enter the command on either controller module.

- b. Assign each drive:

```
storage disk assign -disk disk_name -owner node_name
```

You can enter the command on either controller module.

You can use the wildcard character to assign more than one drive at once.

- c. Reenable automatic drive assignment if needed:

```
storage disk option modify -node node_name -autoassign on
```

You must reenables automatic drive assignment on both controller modules.

10. Return the failed part to NetApp, as described in the RMA instructions shipped with the kit.

Contact [NetApp Support](#) if you need the RMA number or additional help with the replacement procedure.

## Replace a fan - AFF C250

To replace a fan, remove the failed fan module and replace it with a new fan module.

## Step 1: Shut down the impaired controller

To shut down the impaired controller, you must determine the status of the controller and, if necessary, take over the controller so that the healthy controller continues to serve data from the impaired controller storage.

### About this task

- If you have a SAN system, you must have checked event messages (`cluster kernel-service show`) for the impaired controller SCSI blade. The `cluster kernel-service show` command (from `priv advanced` mode) displays the node name, [quorum status](#) of that node, availability status of that node, and operational status of that node.

Each SCSI-blade process should be in quorum with the other nodes in the cluster. Any issues must be resolved before you proceed with the replacement.

- If you have a cluster with more than two nodes, it must be in quorum. If the cluster is not in quorum or a healthy controller shows false for eligibility and health, you must correct the issue before shutting down the impaired controller; see [Synchronize a node with the cluster](#).

### Steps

1. If AutoSupport is enabled, suppress automatic case creation by invoking an AutoSupport message:

```
system node autosupport invoke -node * -type all -message MAINT=<# of hours>h
```

The following AutoSupport message suppresses automatic case creation for two hours:

```
cluster1:> system node autosupport invoke -node * -type all -message MAINT=2h
```

2. Disable automatic giveback:

- a. Enter the following command from the console of the healthy controller:

```
storage failover modify -node local -auto-giveback false
```

- b. Enter `y` when you see the prompt *Do you want to disable auto-giveback?*

3. Take the impaired controller to the LOADER prompt:

If the impaired controller is displaying...	Then...
The LOADER prompt	Go to the next step.
Waiting for giveback...	Press Ctrl-C, and then respond <code>y</code> when prompted.
System prompt or password prompt	Take over or halt the impaired controller from the healthy controller: <pre>storage failover takeover -ofnode impaired_node_name -halt true</pre> The <code>-halt true</code> parameter brings you to the LOADER prompt.

## Step 2: Remove the controller module

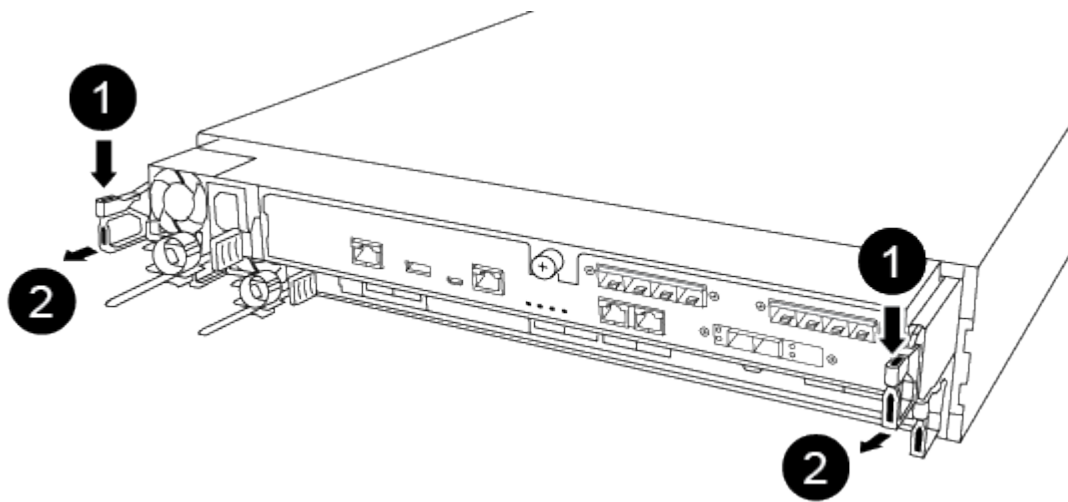
You must remove the controller module from the chassis when you replace a component inside the controller module.

Make sure that you label the cables so that you know where they came from.

1. If you are not already grounded, properly ground yourself.
2. Unplug the controller module power supplies from the source.
3. Release the power cable retainers, and then unplug the cables from the power supplies.
4. Insert your forefinger into the latching mechanism on either side of the controller module, press the lever with your thumb, and gently pull the controller a few inches out of the chassis.



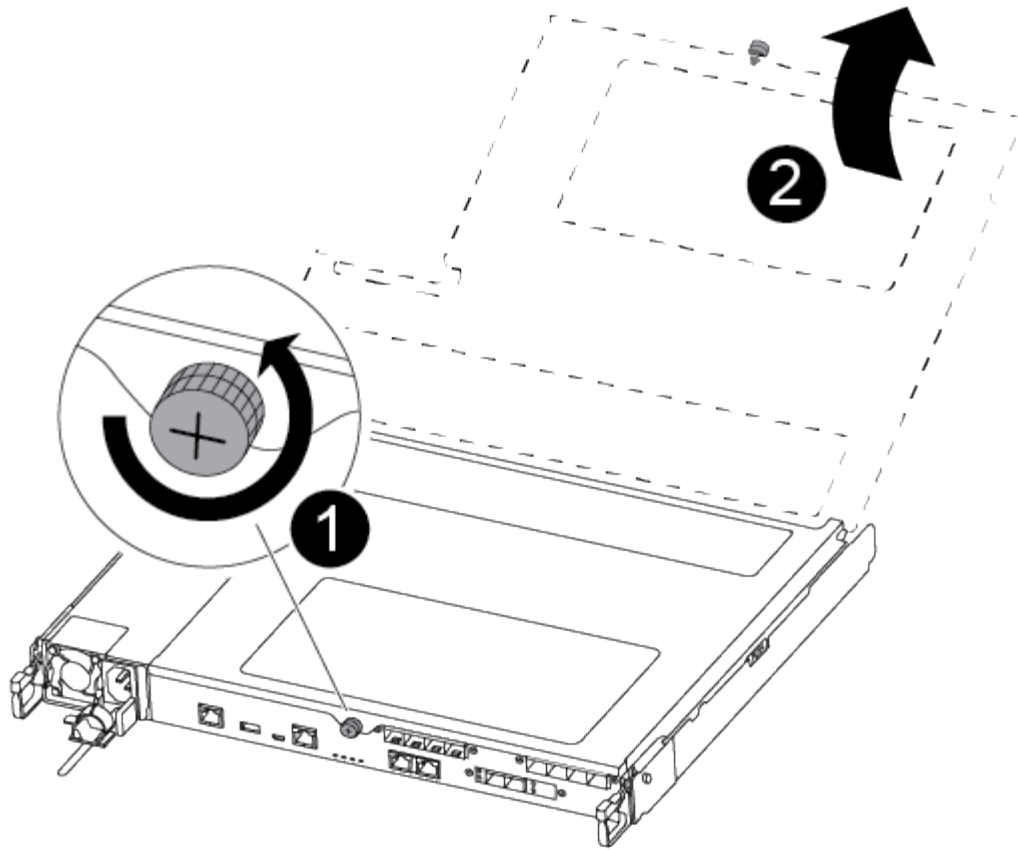
If you have difficulty removing the controller module, place your index fingers through the finger holes from the inside (by crossing your arms).



1	Lever
2	Latching mechanism

5. Using both hands, grasp the controller module sides and gently pull it out of the chassis and set it on a flat, stable surface.
6. Turn the thumbscrew on the front of the controller module anti-clockwise and open the controller module cover.





1	Thumbscrew
2	Controller module cover

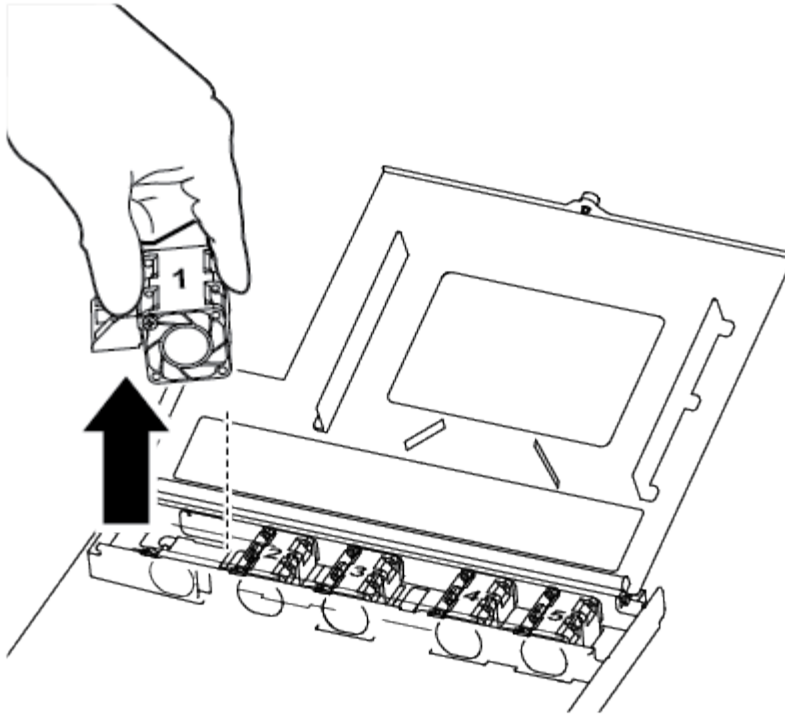
### Step 3: Replace a fan

To replace a fan, remove the failed fan module and replace it with a new fan module.

Use the following video or the tabulated steps to replace a fan:

[Animation - Replace a fan](#)

1. Identify the fan module that you must replace by checking the console error messages or by locating the lit LED for the fan module on the motherboard.
2. Remove the fan module by pinching the side of the fan module, and then lifting the fan module straight out of the controller module.



1

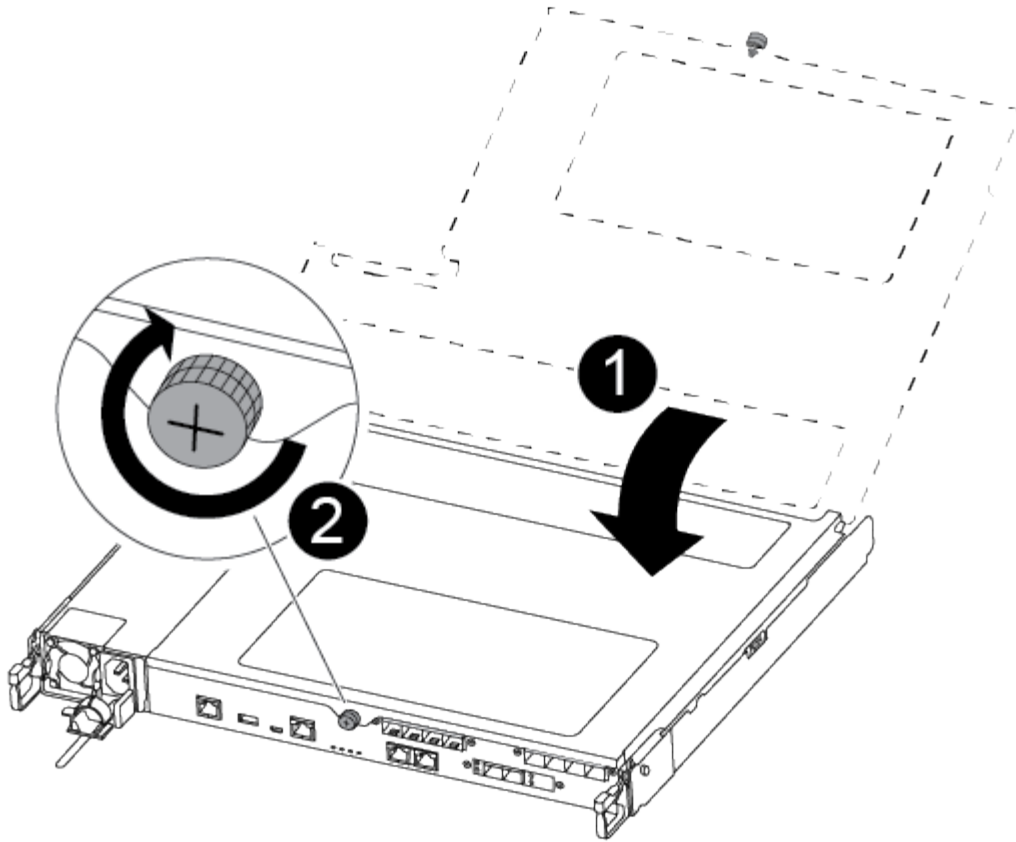
Fan module

3. Align the edges of the replacement fan module with the opening in the controller module, and then slide the replacement fan module into the controller module.

#### **Step 4: Reinstall the controller module**

After you replace a component within the controller module, you must reinstall the controller module in the system chassis and boot it.

1. Close the controller module cover and tighten the thumbscrew.



1	Controller module cover
2	Thumbscrew

2. Insert the controller module into the chassis:

- a. Ensure the latching mechanism arms are locked in the fully extended position.
- b. Using both hands, align and gently slide the controller module into the latching mechanism arms until it stops.
- c. Place your index fingers through the finger holes from the inside of the latching mechanism.
- d. Press your thumbs down on the orange tabs on top of the latching mechanism and gently push the controller module over the stop.
- e. Release your thumbs from the top of the latching mechanisms and continue pushing until the latching mechanisms snap into place.

The controller module should be fully inserted and flush with the edges of the chassis.

- f. Plug the power cords into the power supplies, reinstall the power cable locking collar, and then connect the power supplies to the power source.

The controller module begins to boot as soon as power is restored. Be prepared to interrupt the boot process.

3. Recable the system, as needed.

4. Return the controller to normal operation by giving back its storage: `storage failover giveback -ofnode impaired_node_name`
5. If automatic giveback was disabled, reenable it: `storage failover modify -node local -auto-giveback true`

### Step 5: Return the failed part to NetApp

Return the failed part to NetApp, as described in the RMA instructions shipped with the kit. See the [Part Return and Replacements](#) page for further information.

## Replace or install a mezzanine card - AFF C250

To replace a failed mezzanine card, you must remove the cables and any SFP or QSFP modules, replace the card, reinstall the SFP or QSFP modules and recable the cards. To install a new mezzanine card, you must have the appropriate cables and SFP or QSFP modules.

### About this task

- You can use this procedure with all versions of ONTAP supported by your system
- All other components in the system must be functioning properly; if not, you must contact technical support.

### Step 1: Shut down the impaired controller

To shut down the impaired controller, you must determine the status of the controller and, if necessary, take over the controller so that the healthy controller continues to serve data from the impaired controller storage.

### About this task

- If you have a SAN system, you must have checked event messages (`cluster kernel-service show`) for the impaired controller SCSI blade. The `cluster kernel-service show` command (from `priv advanced mode`) displays the node name, [quorum status](#) of that node, availability status of that node, and operational status of that node.

Each SCSI-blade process should be in quorum with the other nodes in the cluster. Any issues must be resolved before you proceed with the replacement.

- If you have a cluster with more than two nodes, it must be in quorum. If the cluster is not in quorum or a healthy controller shows false for eligibility and health, you must correct the issue before shutting down the impaired controller; see [Synchronize a node with the cluster](#).

### Steps

1. If AutoSupport is enabled, suppress automatic case creation by invoking an AutoSupport message:

```
system node autosupport invoke -node * -type all -message MAINT=<# of hours>h
```

The following AutoSupport message suppresses automatic case creation for two hours:

```
cluster1:> system node autosupport invoke -node * -type all -message MAINT=2h
```

2. Disable automatic giveback:
  - a. Enter the following command from the console of the healthy controller:

```
storage failover modify -node local -auto-giveback false
```

b. Enter `y` when you see the prompt *Do you want to disable auto-giveback?*

3. Take the impaired controller to the LOADER prompt:

If the impaired controller is displaying...	Then...
The LOADER prompt	Go to the next step.
Waiting for giveback...	Press Ctrl-C, and then respond <code>y</code> when prompted.
System prompt or password prompt	Take over or halt the impaired controller from the healthy controller:  <pre>storage failover takeover -ofnode impaired_node_name -halt true</pre> The <code>-halt true</code> parameter brings you to the LOADER prompt.

## Step 2: Remove the controller module

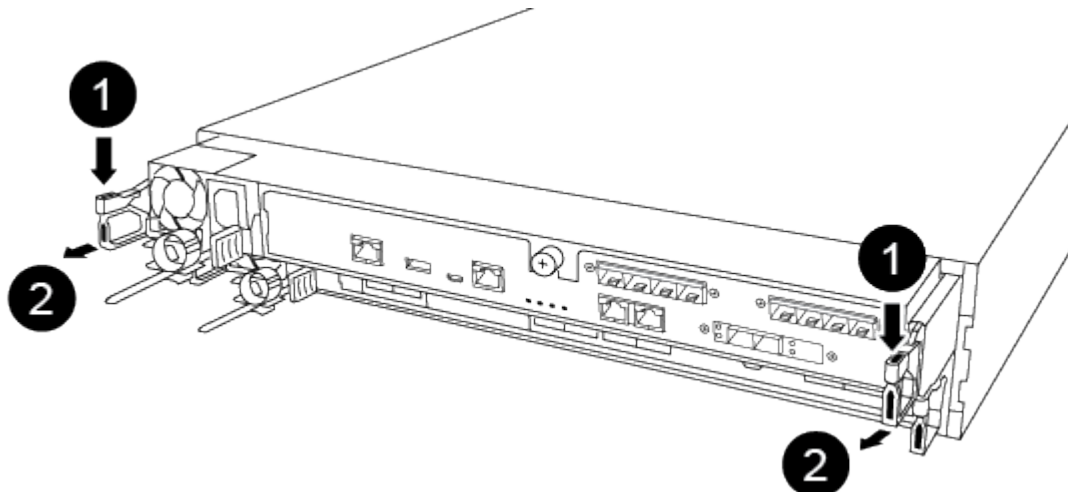
Remove the controller module from the chassis when you replace a component inside the controller module.

Make sure that you label the cables so that you know where they came from.

1. If you are not already grounded, properly ground yourself.
2. Unplug the controller module power supplies from the source.
3. Release the power cable retainers, and then unplug the cables from the power supplies.
4. Insert your forefinger into the latching mechanism on either side of the controller module, press the lever with your thumb, and gently pull the controller a few inches out of the chassis.

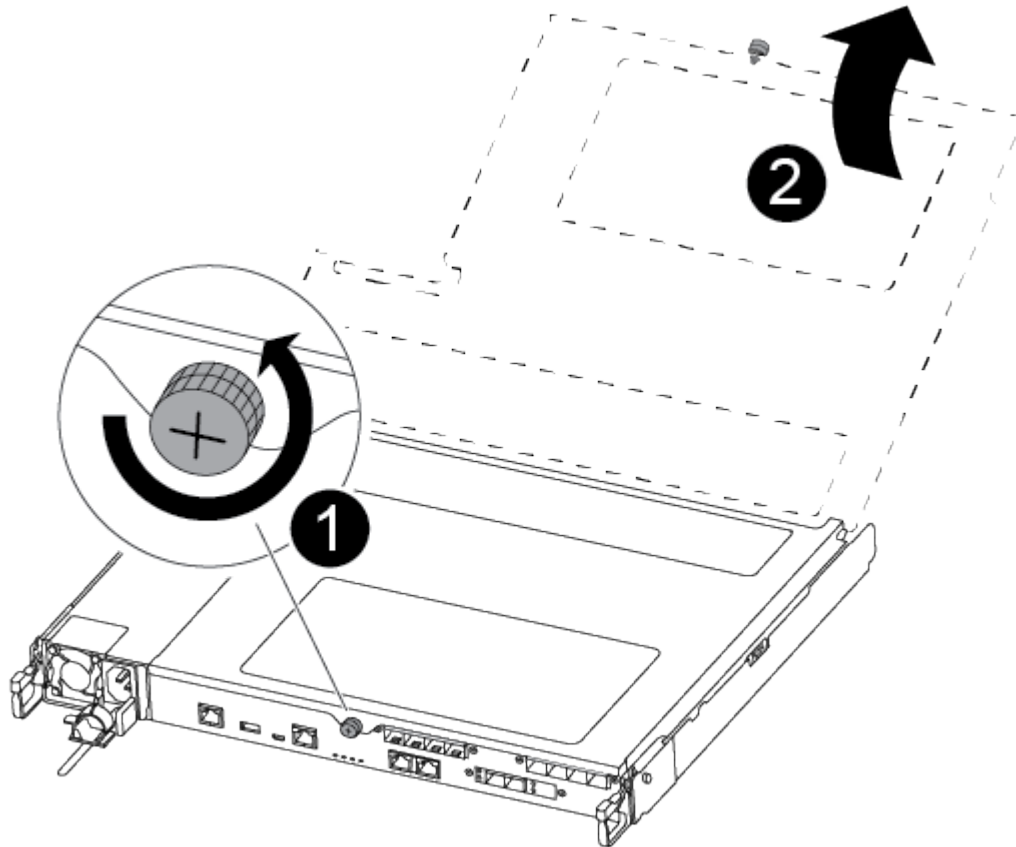


If you have difficulty removing the controller module, place your index fingers through the finger holes from the inside (by crossing your arms).



1	Lever
2	Latching mechanism

- Using both hands, grasp the controller module sides and gently pull it out of the chassis and set it on a flat, stable surface.
- Turn the thumbscrew on the front of the controller module anti-clockwise and open the controller module cover.



1	Thumbscrew
2	Controller module cover.

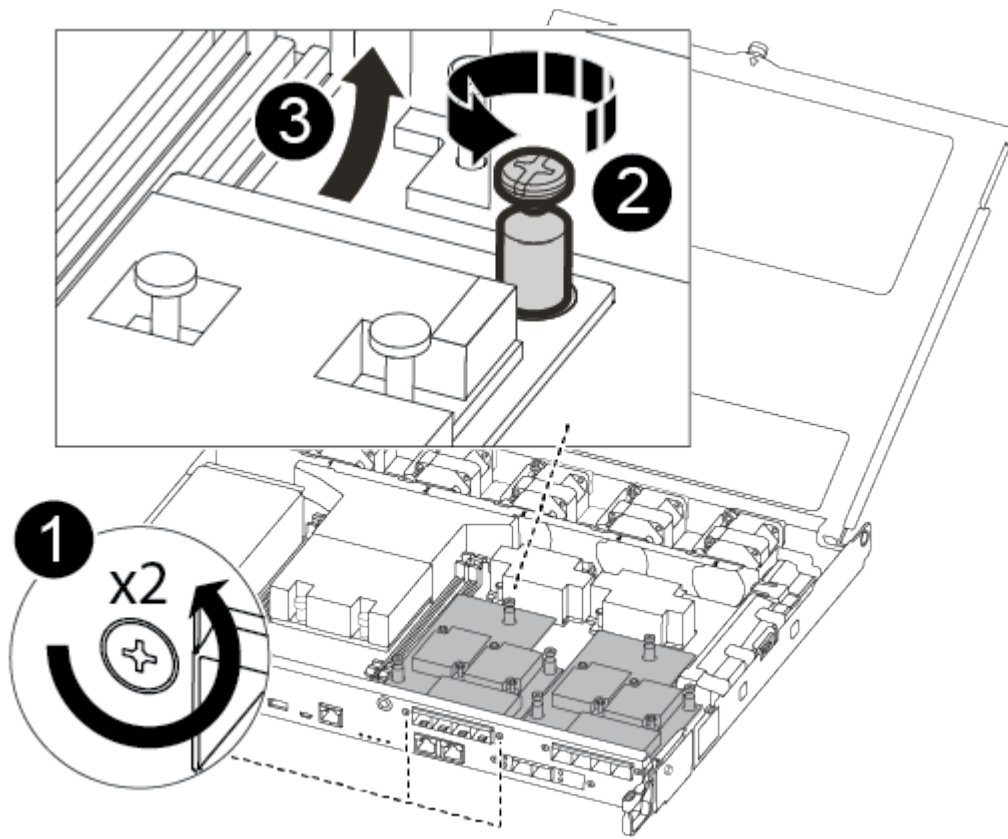
### Step 3: Replace or install a mezzanine card

To replace a mezzanine card, you must remove the impaired card and install the replacement card; to install a mezzanine card, you must remove the faceplate and install the new card.

Use the following video or the tabulated steps to replace a mezzanine card:

[Animation - Replace a mezzanine card](#)

1. To replace a mezzanine card:
2. Locate and replace the impaired mezzanine card on your controller module.



<b>1</b>	Remove screws on the face of the controller module.
<b>2</b>	Loosen the screw in the controller module.
<b>3</b>	Remove the mezzanine card.

- a. Unplug any cabling associated with the impaired mezzanine card.

Make sure that you label the cables so that you know where they came from.

- b. Remove any SFP or QSFP modules that might be in the impaired mezzanine card and set it aside.
- c. Using the #1 magnetic screwdriver, remove the screws from the face of the controller module and set them aside safely on the magnet.
- d. Using the #1 magnetic screwdriver, loosen the screw on the impaired mezzanine card.
- e. Using the #1 magnetic screwdriver, gently lift the impaired mezzanine card directly out of the socket and set it aside.
- f. Remove the replacement mezzanine card from the antistatic shipping bag and align it to the inside face of the controller module.
- g. Gently align the replacement mezzanine card into place.

- h. Using the #1 magnetic screwdriver, insert and tighten the screws on the face of the controller module and on the mezzanine card.



Do not apply force when tightening the screw on the mezzanine card; you might crack it.

- i. Insert any SFP or QSFP modules that were removed from the impaired mezzanine card to the replacement mezzanine card.

3. To install a mezzanine card:

4. You install a new mezzanine card if your system does not have one.

- a. Using the #1 magnetic screwdriver, remove the screws from the face of the controller module and the faceplate covering the mezzanine card slot, and set them aside safely on the magnet.
- b. Remove the mezzanine card from the antistatic shipping bag and align it to the inside face of the controller module.
- c. Gently align the mezzanine card into place.
- d. Using the #1 magnetic screwdriver, insert and tighten the screws on the face of the controller module and on the mezzanine card.



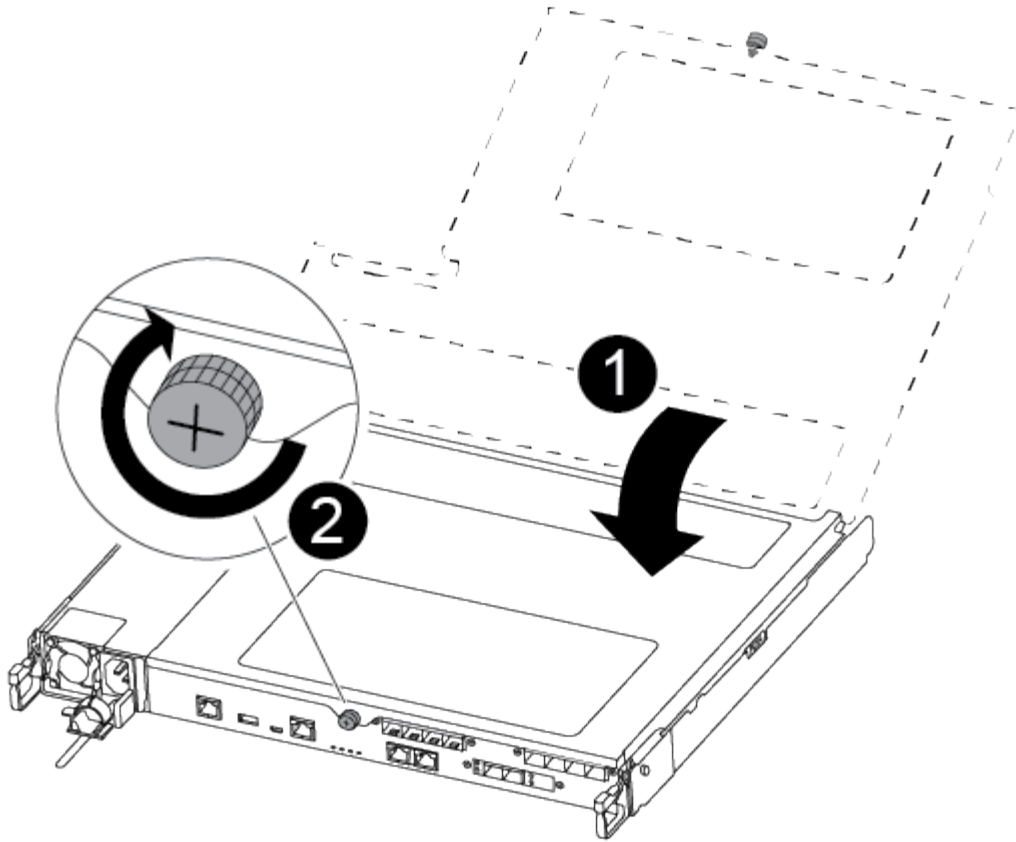
Do not apply force when tightening the screw on the mezzanine card; you might crack it.

#### **Step 4: Reinstall the controller module**

After you replace a component within the controller module, you must reinstall the controller module in the system chassis and boot it.

1. Close the controller module cover and tighten the thumbscrew.





1	Controller module cover
2	Thumbscrew

2. Insert the controller module into the chassis:

- a. Ensure the latching mechanism arms are locked in the fully extended position.
- b. Using both hands, align and gently slide the controller module into the latching mechanism arms until it stops.
- c. Place your index fingers through the finger holes from the inside of the latching mechanism.
- d. Press your thumbs down on the orange tabs on top of the latching mechanism and gently push the controller module over the stop.
- e. Release your thumbs from the top of the latching mechanisms and continue pushing until the latching mechanisms snap into place.

The controller module should be fully inserted and flush with the edges of the chassis.

- f. Plug the power cords into the power supplies, reinstall the power cable locking collar, and then connect the power supplies to the power source.

The controller module begins to boot as soon as power is restored. Be prepared to interrupt the boot process.

3. Recable the system, as needed.

4. Return the controller to normal operation by giving back its storage: `storage failover giveback -ofnode impaired_node_name`
5. If automatic giveback was disabled, reenable it: `storage failover modify -node local -auto-giveback true`

### Step 5: Return the failed part to NetApp

Return the failed part to NetApp, as described in the RMA instructions shipped with the kit. See the [Part Return and Replacements](#) page for further information.

## Replace the NVMEM battery - AFF C250

To replace an NVMEM battery in the system, you must remove the controller module from the system, open it, replace the battery, and close and replace the controller module.

All other components in the system must be functioning properly; if not, you must contact technical support.

### Step 1: Shut down the impaired controller

To shut down the impaired controller, you must determine the status of the controller and, if necessary, take over the controller so that the healthy controller continues to serve data from the impaired controller storage.

#### About this task

- If you have a SAN system, you must have checked event messages (`cluster kernel-service show`) for the impaired controller SCSI blade. The `cluster kernel-service show` command (from `priv advanced` mode) displays the node name, [quorum status](#) of that node, availability status of that node, and operational status of that node.

Each SCSI-blade process should be in quorum with the other nodes in the cluster. Any issues must be resolved before you proceed with the replacement.

- If you have a cluster with more than two nodes, it must be in quorum. If the cluster is not in quorum or a healthy controller shows false for eligibility and health, you must correct the issue before shutting down the impaired controller; see [Synchronize a node with the cluster](#).

#### Steps

1. If AutoSupport is enabled, suppress automatic case creation by invoking an AutoSupport message:

```
system node autosupport invoke -node * -type all -message MAINT=<# of hours>h
```

The following AutoSupport message suppresses automatic case creation for two hours:

```
cluster1:> system node autosupport invoke -node * -type all -message MAINT=2h
```

2. Disable automatic giveback:

- a. Enter the following command from the console of the healthy controller:

```
storage failover modify -node local -auto-giveback false
```

- b. Enter `y` when you see the prompt *Do you want to disable auto-giveback?*

3. Take the impaired controller to the LOADER prompt:

If the impaired controller is displaying...	Then...
The LOADER prompt	Go to the next step.
Waiting for giveback...	Press Ctrl-C, and then respond <code>y</code> when prompted.
System prompt or password prompt	Take over or halt the impaired controller from the healthy controller:  <pre>storage failover takeover -ofnode impaired_node_name -halt true</pre> <p>The <code>-halt true</code> parameter brings you to the LOADER prompt.</p>

## Step 2: Remove the controller module

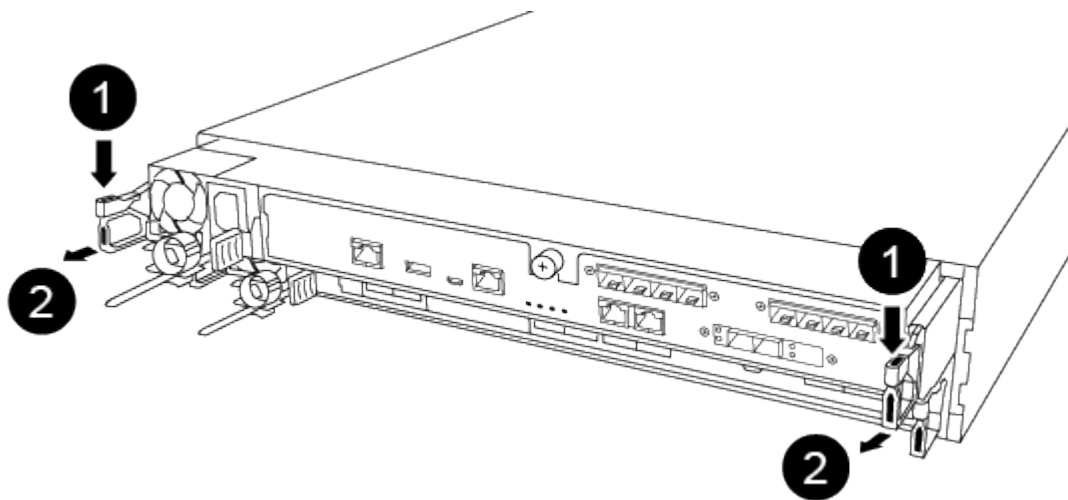
You must remove the controller module from the chassis when you replace a component inside the controller module.

Make sure that you label the cables so that you know where they came from.

1. If you are not already grounded, properly ground yourself.
2. Unplug the controller module power supplies from the source.
3. Release the power cable retainers, and then unplug the cables from the power supplies.
4. Insert your forefinger into the latching mechanism on either side of the controller module, press the lever with your thumb, and gently pull the controller a few inches out of the chassis.



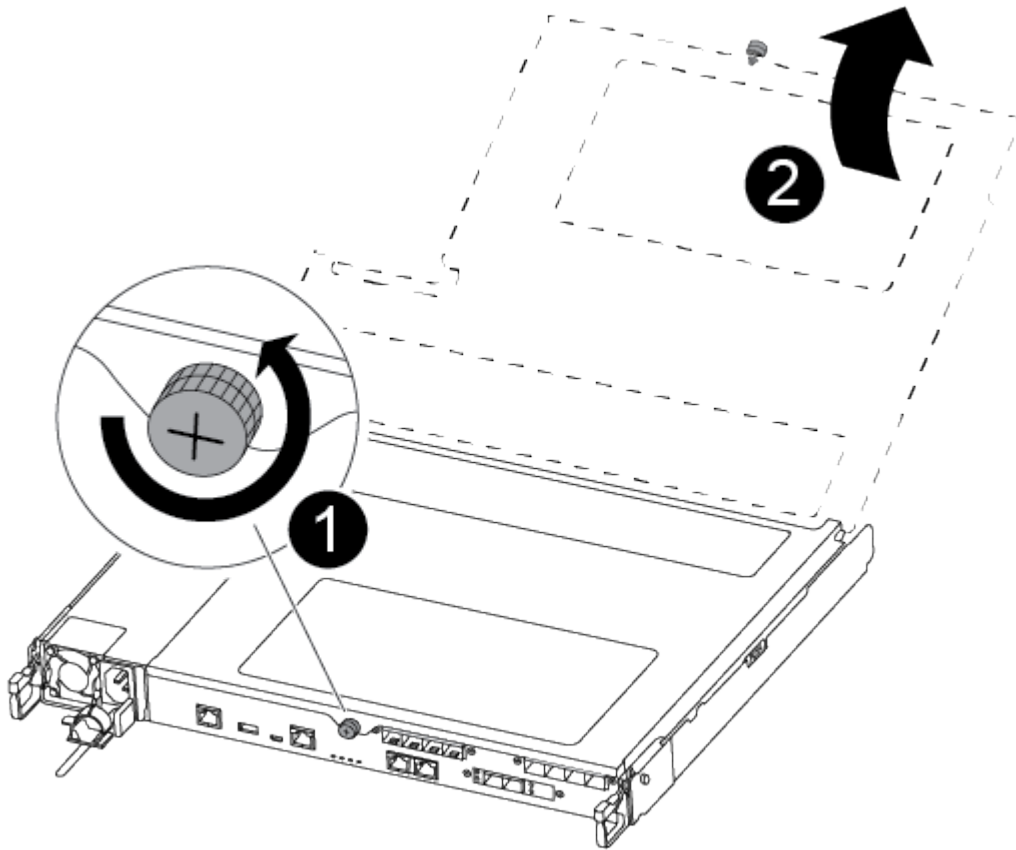
If you have difficulty removing the controller module, place your index fingers through the finger holes from the inside (by crossing your arms).



<b>1</b>	Lever
----------	-------

<b>2</b>	Latching mechanism
----------	--------------------

5. Using both hands, grasp the controller module sides and gently pull it out of the chassis and set it on a flat, stable surface.
6. Turn the thumbscrew on the front of the controller module anti-clockwise and open the controller module cover.



<b>1</b>	Thumbscrew
<b>2</b>	Controller module cover.

### Step 3: Replace the NVMEM battery

To replace the NVMEM battery, you must remove the failed battery from the controller module and install the replacement battery into the controller module.

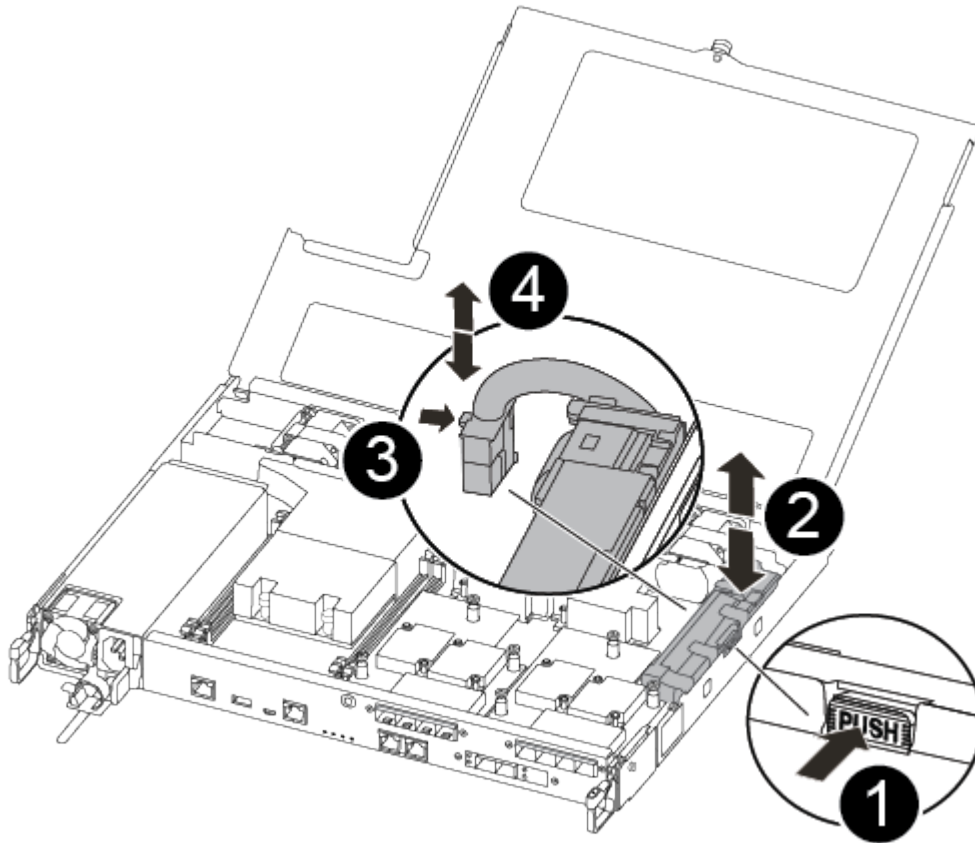
Use the following video or the tabulated steps to replace the NVMEM battery:

[Animation - Replace the NVMEM battery](#)

1. Locate and replace the impaired NVMEM battery on your controller module.



It is recommended that you follow the illustrated instructions in the order listed.



<b>1</b>	Squeeze the clip on the face of the battery plug.
<b>2</b>	Unplug the battery cable from the socket.
<b>3</b>	Grasp the battery and press the blue locking tab marked PUSH.
<b>4</b>	Lift the battery out of the holder and controller module.

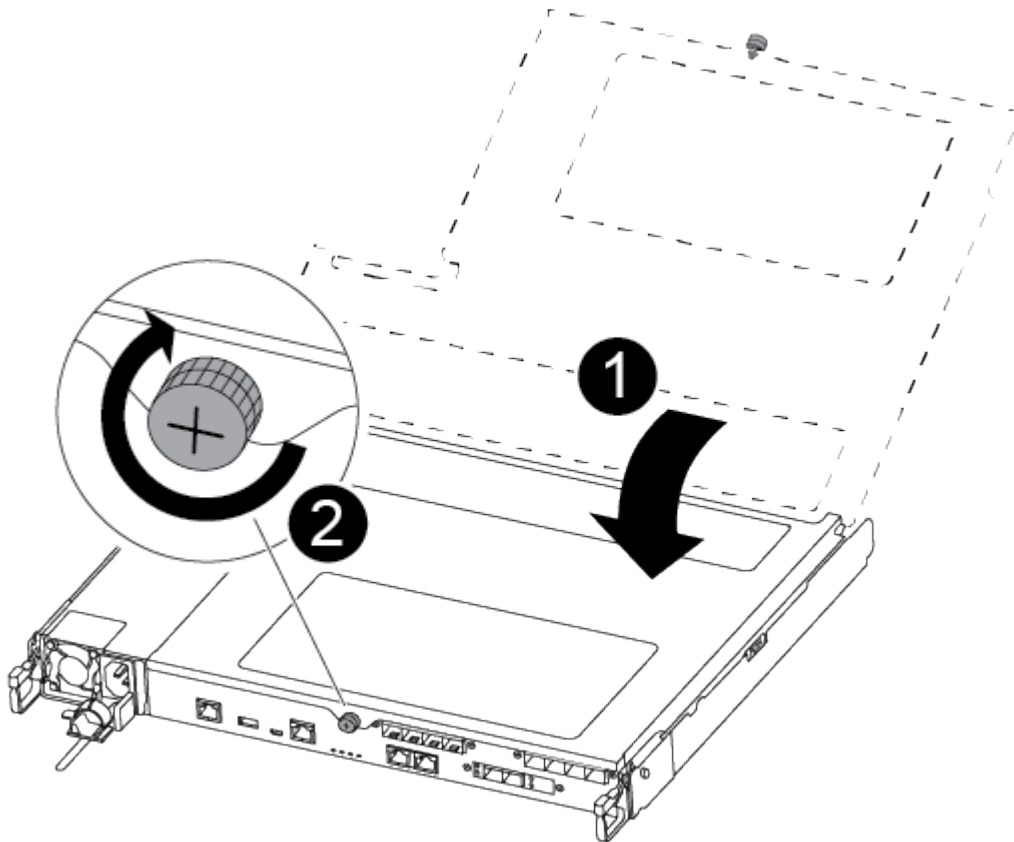
2. Locate the battery plug and squeeze the clip on the face of the battery plug to release the plug from the socket.
3. Grasp the battery and press the blue locking tab marked PUSH, and then lift the battery out of the holder and controller module and set it aside.
4. Remove the replacement NV battery from the antistatic shipping bag and align it to the battery holder.
5. Insert the replacement NV battery plug into the socket.
6. Slide the battery pack down along the sheet metal side wall until the support tabs on the side wall hook into the slots on the battery pack, and the battery pack latch engages and clicks into the opening on the side wall.
7. Press firmly down on the battery pack to make sure that it is locked into place.

#### Step 4: Install the controller module

After you have replaced the component in the controller module, you must reinstall the controller module into the chassis, and then boot it.

You can use the following illustration or the written steps to install the replacement controller module in the chassis.

1. Close the controller module cover and tighten the thumbscrew.



1	Controller module cover
2	Thumbscrew

2. Insert the controller module into the chassis:
  - a. Ensure the latching mechanism arms are locked in the fully extended position.
  - b. Using both hands, align and gently slide the controller module into the latching mechanism arms until it stops.
  - c. Place your index fingers through the finger holes from the inside of the latching mechanism.
  - d. Press your thumbs down on the orange tabs on top of the latching mechanism and gently push the controller module over the stop.
  - e. Release your thumbs from the top of the latching mechanisms and continue pushing until the latching mechanisms snap into place.

The controller module should be fully inserted and flush with the edges of the chassis.

- f. Plug the power cords into the power supplies, reinstall the power cable locking collar, and then connect the power supplies to the power source.

The controller module begins to boot as soon as power is restored. Be prepared to interrupt the boot process.

3. Recable the system, as needed.
4. Return the controller to normal operation by giving back its storage: `storage failover giveback -ofnode impaired_node_name`
5. If automatic giveback was disabled, reenable it: `storage failover modify -node local -auto-giveback true`

### Step 5: Return the failed part to NetApp

Return the failed part to NetApp, as described in the RMA instructions shipped with the kit. See the [Part Return and Replacements](#) page for further information.

## Replace a power supply - AFF C250

Replacing a power supply (PSU) involves disconnecting the target PSU from the power source, unplugging the power cable, removing the old PSU and installing the replacement PSU, and then reconnecting it to the power source.

- The power supplies are redundant and hot-swappable.
- This procedure is written for replacing one PSU at a time.



It is a best practice to replace the PSU within two minutes of removing it from the chassis. The system continues to function, but ONTAP sends messages to the console about the degraded PSU until the PSU is replaced.

- Power supplies are auto-ranging.



Do not mix PSUs with different efficiency ratings. Always replace like for like.

Use the appropriate procedure for your type of PSU; AC or DC.

### Option 1: Replace an AC PSU

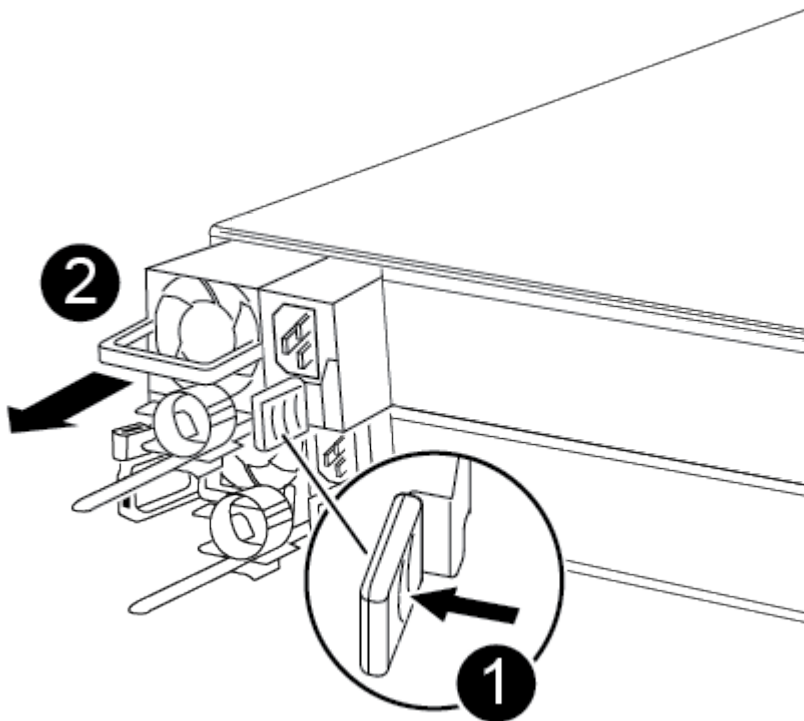
Use the following video or the tabulated steps to replace the PSU:

#### Animation - Replace the AC PSU

1. If you are not already grounded, properly ground yourself.
2. Identify the PSU you want to replace, based on console error messages or through the red Fault LED on the PSU.
3. Disconnect the PSU:
  - a. Open the power cable retainer, and then unplug the power cable from the PSU.
4. Remove the PSU by rotating the handle up, press the locking tab, and then pull the PSU out of the controller module.



The PSU is short. Always use two hands to support it when removing it from the controller module so that it does not suddenly swing free from the controller module and injure you.



<b>1</b>	Blue PSU locking tab
<b>2</b>	Power supply

5. Install the replacement PSU in the controller module:
  - a. Using both hands, support and align the edges of the PSU with the opening in the controller module.



- b. Gently push the PSU into the controller module until the locking tab clicks into place.

The power supplies will only properly engage with the internal connector and lock in place one way.



To avoid damaging the internal connector, do not use excessive force when sliding the PSU into the system.

6. Reconnect the PSU cabling:
  - a. Reconnect the power cable to the PSU.
  - b. Secure the power cable to the PSU using the power cable retainer.

Once power is restored to the PSU, the status LED should be green.

7. Return the failed part to NetApp, as described in the RMA instructions shipped with the kit. See the [Part Return and Replacements](#) page for further information.

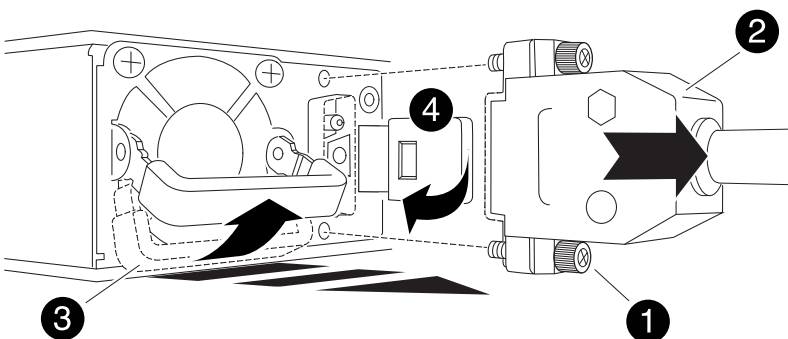
### Option 2: Replace a DC PSU

To replace a DC PSU, complete the following steps.

1. If you are not already grounded, properly ground yourself.
2. Identify the PSU you want to replace, based on console error messages or through the red Fault LED on the PSU.
3. Disconnect the PSU:
  - a. Unscrew the D-SUB DC power cable connector using the thumb screws on the plug.
  - b. Unplug the power cable from the PSU and set it aside.
4. Remove the PSU by rotating the handle up, press the locking tab, and then pull PSU out of the controller module.



The PSU is short. Always use two hands to support it when removing it from the controller module so that it does not suddenly swing free from the controller module and injure you.



<b>1</b>	Thumb screws
<b>2</b>	D-SUB DC power cable connector

<b>3</b>	Power supply handle
<b>4</b>	Blue PSU locking tab

5. Install the replacement PSU in the controller module:

- a. Using both hands, support and align the edges of the PSU with the opening in the controller module.
- b. Gently push the PSU into the controller module until the locking tab clicks into place.

The power supplies will only properly engage with the internal connector and lock in place one way.



To avoid damaging the internal connector, do not use excessive force when sliding the PSU into the system.

6. Reconnect the D-SUB DC power cable:

- a. Plug the power cable connector into the PSU.
- b. Secure the power cable to the PSU with the thumbscrews.

Once power is restored to the PSU, the status LED should be green.

7. Return the failed part to NetApp, as described in the RMA instructions shipped with the kit. See the [Part Return and Replacements](#) page for further information.

## Replace the real-time clock battery - AFF C250

You replace the real-time clock (RTC) battery in the controller module so that your system's services and applications that depend on accurate time synchronization continue to function.

- You can use this procedure with all versions of ONTAP supported by your system
- All other components in the system must be functioning properly; if not, you must contact technical support.

### Step 1: Shut down the impaired controller

To shut down the impaired controller, you must determine the status of the controller and, if necessary, take over the controller so that the healthy controller continues to serve data from the impaired controller storage.

#### About this task

- If you have a SAN system, you must have checked event messages (`cluster kernel-service show`) for the impaired controller SCSI blade. The `cluster kernel-service show` command (from `priv advanced mode`) displays the node name, [quorum status](#) of that node, availability status of that node, and operational status of that node.

Each SCSI-blade process should be in quorum with the other nodes in the cluster. Any issues must be resolved before you proceed with the replacement.

- If you have a cluster with more than two nodes, it must be in quorum. If the cluster is not in quorum or a healthy controller shows false for eligibility and health, you must correct the issue before shutting down the impaired controller; see [Synchronize a node with the cluster](#).

## Steps

1. If AutoSupport is enabled, suppress automatic case creation by invoking an AutoSupport message:

```
system node autosupport invoke -node * -type all -message MAINT=<# of hours>h
```

The following AutoSupport message suppresses automatic case creation for two hours:

```
cluster1:> system node autosupport invoke -node * -type all -message MAINT=2h
```

2. Disable automatic giveback:
  - a. Enter the following command from the console of the healthy controller:

```
storage failover modify -node local -auto-giveback false
```

- b. Enter `y` when you see the prompt *Do you want to disable auto-giveback?*

3. Take the impaired controller to the LOADER prompt:

If the impaired controller is displaying...	Then...
The LOADER prompt	Go to the next step.
Waiting for giveback...	Press Ctrl-C, and then respond <code>y</code> when prompted.
System prompt or password prompt	Take over or halt the impaired controller from the healthy controller:  <pre>storage failover takeover -ofnode impaired_node_name -halt true</pre> <p>The <code>-halt true</code> parameter brings you to the LOADER prompt.</p>

## Step 2: Remove the controller module

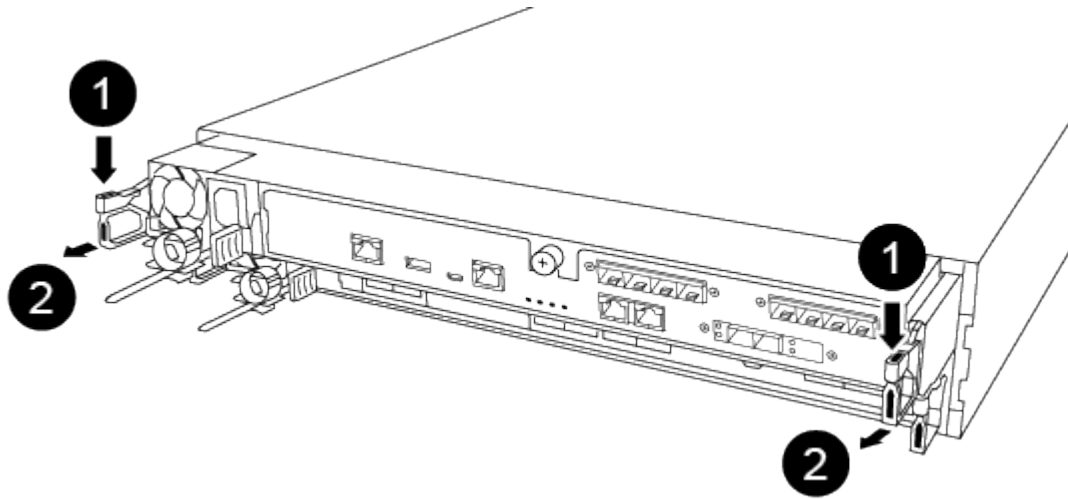
You must remove the controller module from the chassis when you replace a component inside the controller module.

Make sure that you label the cables so that you know where they came from.

1. If you are not already grounded, properly ground yourself.
2. Unplug the controller module power supplies from the source.
3. Release the power cable retainers, and then unplug the cables from the power supplies.
4. Insert your forefinger into the latching mechanism on either side of the controller module, press the lever with your thumb, and gently pull the controller a few inches out of the chassis.

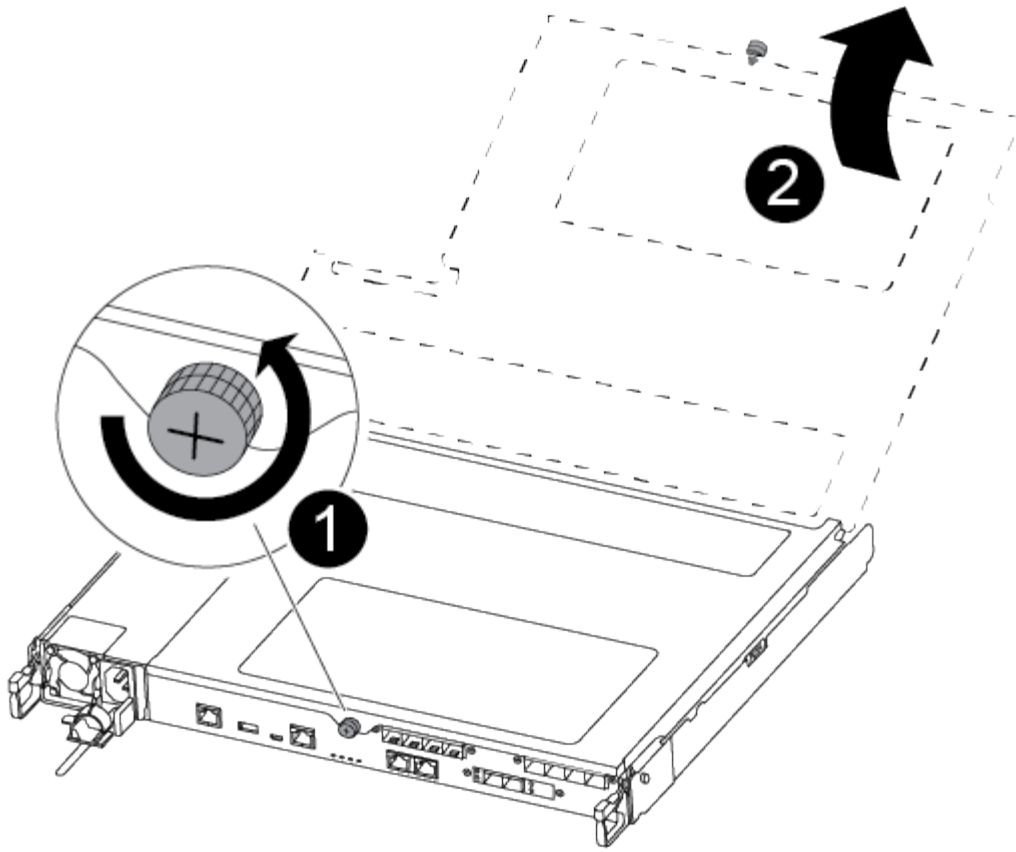


If you have difficulty removing the controller module, place your index fingers through the finger holes from the inside (by crossing your arms).



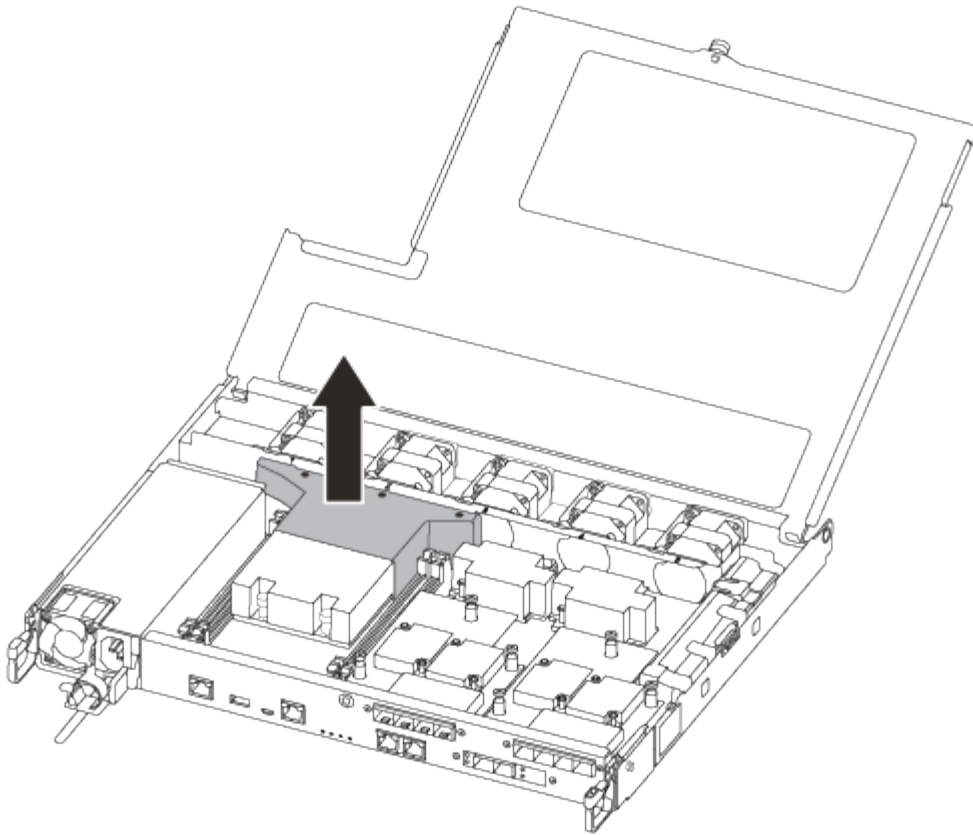
<b>1</b>	Lever
<b>2</b>	Latching mechanism

- Using both hands, grasp the controller module sides and gently pull it out of the chassis and set it on a flat, stable surface.
- Turn the thumbscrew on the front of the controller module anti-clockwise and open the controller module cover.



1	Thumbscrew
2	Controller module cover.

7. Lift out the air duct cover.



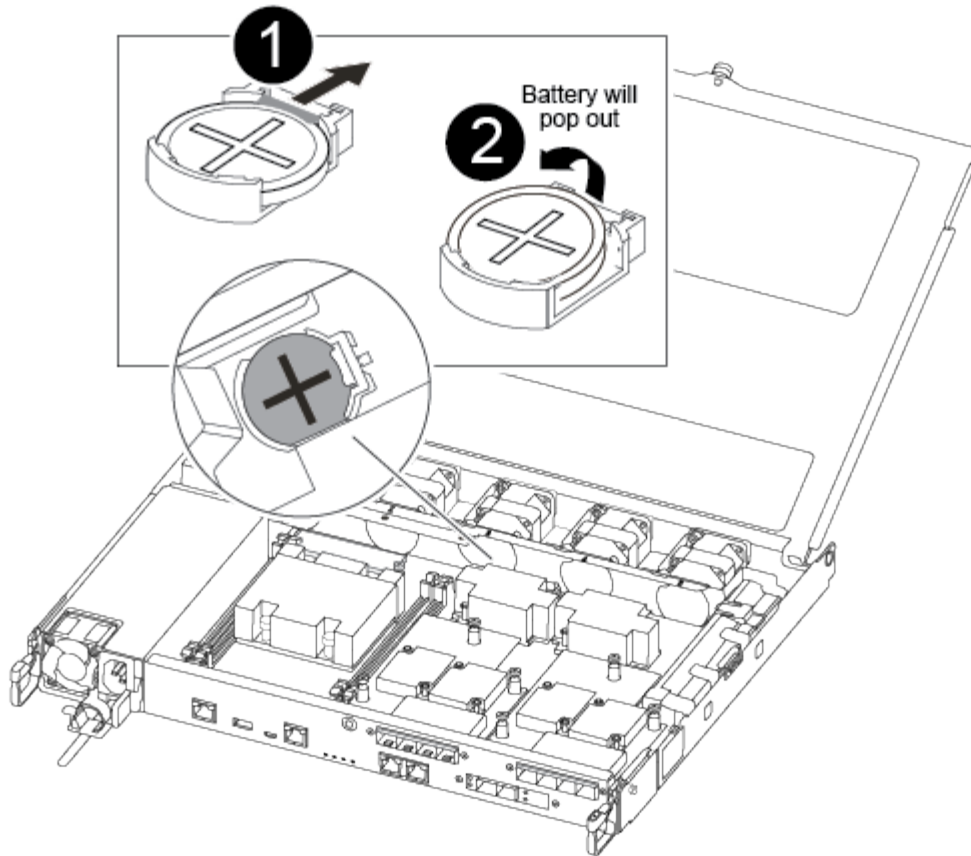
### **Step 3: Replace the RTC battery**

To replace the RTC battery, locate it inside the controller and follow the specific sequence of steps.

Use the following video or the tabulated steps to replace the RTC battery:

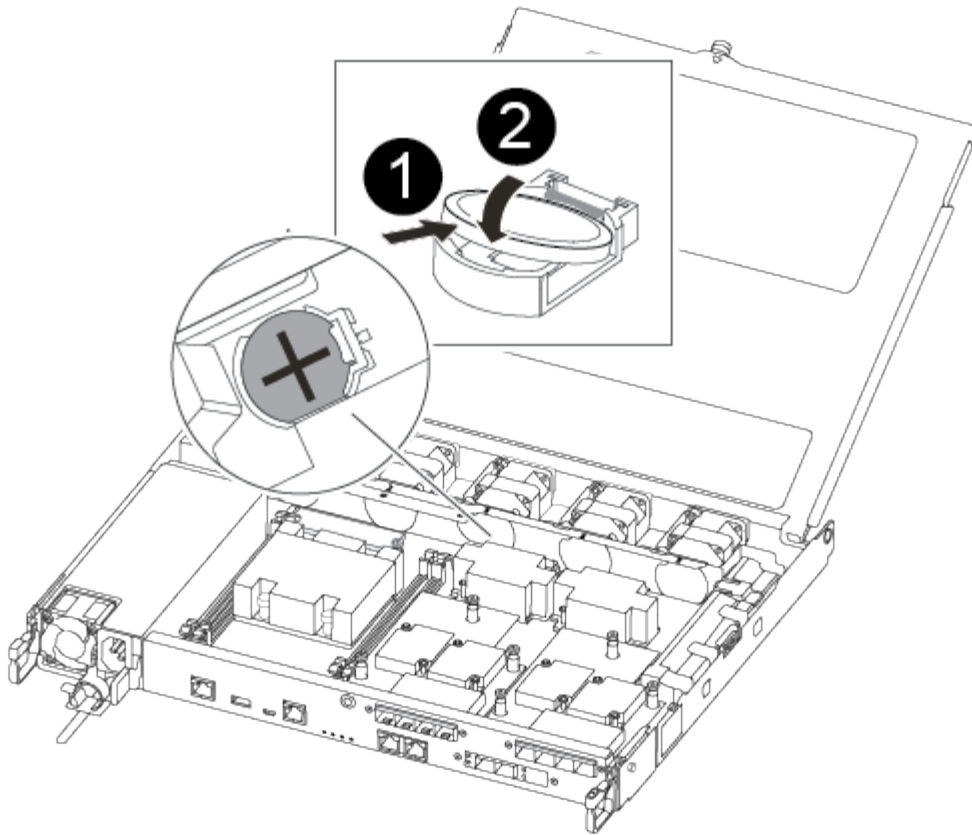
[Animation - Replace the RTC battery](#)


1. Locate the RTC battery between the heatsink and the midplane and remove it exactly as shown in the graphic.



1	Gently pull tab away from the battery housing. <b>Attention:</b> Pulling it away aggressively might displace the tab.
2	Lift the battery up. <b>Note:</b> Make a note of the polarity of the battery.
3	The battery should eject out.

2. Remove the replacement battery from the antistatic shipping bag.
3. Locate the RTC battery holder between the heatsink and the midplane and insert it exactly as shown in the graphic.



<p><b>1</b></p>	<p>With positive polarity face up, slide the battery under the tab of the battery housing.</p>
<p><b>2</b></p>	<p>Push the battery gently into place and make sure the tab secures it to the housing.</p> <p> Pushing it in aggressively might cause the battery to eject out again.</p>

4. Visually inspect the battery to make sure that it is completely installed into the holder and that the polarity is correct.

#### Step 4: Reinstall the controller module and setting time/date after RTC battery replacement

After you replace a component within the controller module, you must reinstall the controller module in the system chassis, reset the time and date on the controller, and then boot it.

1. If you have not already done so, close the air duct or controller module cover.
2. Align the end of the controller module with the opening in the chassis, and then gently push the controller module halfway into the system.

Do not completely insert the controller module in the chassis until instructed to do so.

3. Recable the system, as needed.

If you removed the media converters (QSFPs or SFPs), remember to reinstall them if you are using fiber optic cables.



4. Insert the controller module into the chassis:
  - a. Ensure the latching mechanism arms are locked in the fully extended position.
  - b. Using both hands, align and gently slide the controller module into the latching mechanism arms until it stops.
  - c. Place your index fingers through the finger holes from the inside of the latching mechanism.
  - d. Press your thumbs down on the orange tabs on top of the latching mechanism and gently push the controller module over the stop.
  - e. Release your thumbs from the top of the latching mechanisms and continue pushing until the latching mechanisms snap into place.  
The controller module should be fully inserted and flush with the edges of the chassis.
  - f. Plug the power cords into the power supplies, reinstall the power cable locking collar, and then connect the power supplies to the power source.

The controller module begins to boot as soon as power is restored. Be prepared to interrupt the boot process.

- g. Halt the controller at the LOADER prompt.
5. Reset the time and date on the controller:
  - a. Check the date and time on the healthy controller with the `show date` command.
  - b. At the LOADER prompt on the target controller, check the time and date.
  - c. If necessary, modify the date with the `set date mm/dd/yyyy` command.
  - d. If necessary, set the time, in GMT, using the `set time hh:mm:ss` command.
  - e. Confirm the date and time on the target controller.
6. At the LOADER prompt, enter `bye` to reinitialize the PCIe cards and other components and let the controller reboot.
7. Return the controller to normal operation by giving back its storage: `storage failover giveback -ofnode impaired_node_name`
8. If automatic giveback was disabled, reenable it: `storage failover modify -node local -auto -giveback true`

### Step 5: Return the failed part to NetApp

Return the failed part to NetApp, as described in the RMA instructions shipped with the kit. See the [Part Return and Replacements](#) page for further information.

## Copyright information

Copyright © 2025 NetApp, Inc. All Rights Reserved. Printed in the U.S. No part of this document covered by copyright may be reproduced in any form or by any means—graphic, electronic, or mechanical, including photocopying, recording, taping, or storage in an electronic retrieval system—without prior written permission of the copyright owner.

Software derived from copyrighted NetApp material is subject to the following license and disclaimer:

THIS SOFTWARE IS PROVIDED BY NETAPP “AS IS” AND WITHOUT ANY EXPRESS OR IMPLIED WARRANTIES, INCLUDING, BUT NOT LIMITED TO, THE IMPLIED WARRANTIES OF MERCHANTABILITY AND FITNESS FOR A PARTICULAR PURPOSE, WHICH ARE HEREBY DISCLAIMED. IN NO EVENT SHALL NETAPP BE LIABLE FOR ANY DIRECT, INDIRECT, INCIDENTAL, SPECIAL, EXEMPLARY, OR CONSEQUENTIAL DAMAGES (INCLUDING, BUT NOT LIMITED TO, PROCUREMENT OF SUBSTITUTE GOODS OR SERVICES; LOSS OF USE, DATA, OR PROFITS; OR BUSINESS INTERRUPTION) HOWEVER CAUSED AND ON ANY THEORY OF LIABILITY, WHETHER IN CONTRACT, STRICT LIABILITY, OR TORT (INCLUDING NEGLIGENCE OR OTHERWISE) ARISING IN ANY WAY OUT OF THE USE OF THIS SOFTWARE, EVEN IF ADVISED OF THE POSSIBILITY OF SUCH DAMAGE.

NetApp reserves the right to change any products described herein at any time, and without notice. NetApp assumes no responsibility or liability arising from the use of products described herein, except as expressly agreed to in writing by NetApp. The use or purchase of this product does not convey a license under any patent rights, trademark rights, or any other intellectual property rights of NetApp.

The product described in this manual may be protected by one or more U.S. patents, foreign patents, or pending applications.

LIMITED RIGHTS LEGEND: Use, duplication, or disclosure by the government is subject to restrictions as set forth in subparagraph (b)(3) of the Rights in Technical Data -Noncommercial Items at DFARS 252.227-7013 (FEB 2014) and FAR 52.227-19 (DEC 2007).

Data contained herein pertains to a commercial product and/or commercial service (as defined in FAR 2.101) and is proprietary to NetApp, Inc. All NetApp technical data and computer software provided under this Agreement is commercial in nature and developed solely at private expense. The U.S. Government has a non-exclusive, non-transferrable, nonsublicensable, worldwide, limited irrevocable license to use the Data only in connection with and in support of the U.S. Government contract under which the Data was delivered. Except as provided herein, the Data may not be used, disclosed, reproduced, modified, performed, or displayed without the prior written approval of NetApp, Inc. United States Government license rights for the Department of Defense are limited to those rights identified in DFARS clause 252.227-7015(b) (FEB 2014).

## Trademark information

NETAPP, the NETAPP logo, and the marks listed at <http://www.netapp.com/TM> are trademarks of NetApp, Inc. Other company and product names may be trademarks of their respective owners.