



Boot media

Install and maintain

NetApp
October 30, 2024

Table of Contents

- Boot media 1
 - Overview of boot media replacement - ASA C800 1
 - Check encryption key support and status - ASA C800 1
 - Shut down the controller - ASA C800 4
 - Replace the boot media - ASA C800 6
 - Boot the recovery image - ASA C800 12
 - Restore encryption - ASA C800 14
 - Return the failed part to NetApp - ASA C800 23

Boot media

Overview of boot media replacement - ASA C800

- You must replace the failed component with a replacement FRU component you received from your provider.
- It is important that you apply the commands in these steps on the correct controller:
 - The *impaired* controller is the controller on which you are performing maintenance.
 - The *healthy* controller is the HA partner of the impaired controller.

Check encryption key support and status - ASA C800

Before shutting down the impaired controller, check if your version of ONTAP supports NetApp Volume Encryption (NVE) and if your key management system is properly configured.

Step 1: Check if your version of ONTAP supports NetApp Volume Encryption

Check whether your ONTAP version supports NetApp Volume Encryption (NVE). This information is crucial for downloading the correct ONTAP image.

1. Determine if your ONTAP version supports encryption by running the following command:

```
version -v
```

If the output includes `1Ono-DARE`, NVE is not supported on your cluster version.

2. Depending on whether NVE is supported on your system, take one of the following actions:
 - If NVE is supported, download the ONTAP image with NetApp Volume Encryption.
 - If NVE is not supported, download the ONTAP image **without** NetApp Volume Encryption.

Step 2: Determine if it is safe to shut down the controller

To safely shut down a controller, first identify whether the External Key Manager (EKM) or the Onboard Key Manager (OKM) is active. Then, verify the key manager in use, display the appropriate key information, and take action based on the status of the authentication keys.

1. Determine which key manager is enabled on your system:

ONTAP version	Run this command
ONTAP 9.14.1 or later	<pre>security key-manager keystore show</pre> <ul style="list-style-type: none"> • If EKM is enabled, <code>EKM</code> is listed in the command output. • If OKM is enabled, <code>OKM</code> is listed in the command output. • If no key manager is enabled, <code>No key manager keystores configured</code> is listed in the command output.
ONTAP 9.13.1 or earlier	<pre>security key-manager show-key-store</pre> <ul style="list-style-type: none"> • If EKM is enabled, <code>external</code> is listed in the command output. • If OKM is enabled, <code>onboard</code> is listed in the command output. • If no key manager is enabled, <code>No key managers configured</code> is listed in the command output.

2. Depending on whether a key manager is configured on your system, select one of the following options.

No key manager configured

You can safely shut down the impaired controller. Go to [shutdown the impaired controller](#).

External or Onboard key manager configured

- a. Enter the following query command to display the status of the authentication keys in your key manager.

```
security key-manager key query
```

- b. Check the output for the value in the `Restored` column for your key manager.

This column indicates whether the authentication keys for your key manager (either EKM or OKM) have been successfully restored.

3. Depending on whether your system is using the External Key Manager or Onboard Key Manager, select one of the following options.

External Key Manager

Depending on the output value displayed in the `Restored` column, follow the appropriate steps.

Output value in <code>Restored</code> column	Follow these steps...
<code>true</code>	You can safely shut down the impaired controller. Go to shutdown the impaired controller .
Anything other than <code>true</code>	<ol style="list-style-type: none">Restore the external key management authentication keys to all nodes in the cluster using the following command: <pre>security key-manager external restore</pre><p>If the command fails, contact NetApp Support.</p>Verify that the <code>Restored</code> column displays <code>true</code> for all authentication keys by entering the <code>security key-manager key query</code> command. If all the authentication keys are <code>true</code>, you can safely shut down the impaired controller. Go to shutdown the impaired controller.

Onboard Key Manager

Depending on the output value displayed in the `Restored` column, follow the appropriate steps.

Output value in <code>Restored</code> column	Follow these steps...
<code>true</code>	<p>Manually back up the OKM information.</p> <ol style="list-style-type: none">Go to the advanced mode by entering <code>set -priv advanced</code> and then enter <code>Y</code> when prompted.Enter the following command to display the key management information: <pre>security key-manager onboard show-backup</pre>Copy the contents of the backup information to a separate file or your log file. You'll need it in disaster scenarios where you might need to manually recover OKM.You can safely shut down the impaired controller. Go to shutdown the impaired controller.

Output value in Restored column	Follow these steps...
Anything other than <code>true</code>	<p>a. Enter the onboard security key-manager sync command:</p> <pre>security key-manager onboard sync</pre> <p>b. Enter the 32 character, alphanumeric onboard key management passphrase when prompted.</p> <p>If the passphrase cannot be provided, contact NetApp Support.</p> <p>c. Verify the Restored column displays <code>true</code> for all authentication keys:</p> <pre>security key-manager key query</pre> <p>d. Verify that the Key Manager type displays <code>onboard</code>, and then manually back up the OKM information.</p> <p>e. Enter the command to display the key management backup information:</p> <pre>security key-manager onboard show-backup</pre> <p>f. Copy the contents of the backup information to a separate file or your log file.</p> <p>You'll need it in disaster scenarios where you might need to manually recover OKM.</p> <p>g. You can safely shut down the impaired controller. Go to shutdown the impaired controller.</p>

Shut down the controller - ASA C800

After completing the NVE or NSE tasks, you need to complete the shutdown of the impaired controller. Shut down or take over the impaired controller using the appropriate procedure for your configuration.

Option 1: Most systems

After completing the NVE or NSE tasks, you need to complete the shutdown of the impaired controller.

Steps

- a. Take the impaired controller to the LOADER prompt:

If the impaired controller displays...	Then...
The LOADER prompt	Go to Remove controller module.
Waiting for giveback...	Press Ctrl-C, and then respond <code>y</code> when prompted.
System prompt or password prompt (enter system password)	Take over or halt the impaired controller from the healthy controller: <code>storage failover takeover -ofnode impaired_node_name</code> When the impaired controller shows Waiting for giveback..., press Ctrl-C, and then respond <code>y</code> .

- b. From the LOADER prompt, enter: `printenv` to capture all boot environmental variables. Save the output to your log file.



This command may not work if the boot device is corrupted or non-functional.

Option 2: System is in a MetroCluster



Do not use this procedure if your system is in a two-node MetroCluster configuration.

To shut down the impaired controller, you must determine the status of the controller and, if necessary, take over the controller so that the healthy controller continues to serve data from the impaired controller storage.

- If you have a cluster with more than two nodes, it must be in quorum. If the cluster is not in quorum or a healthy controller shows false for eligibility and health, you must correct the issue before shutting down the impaired controller; see [Synchronize a node with the cluster](#).
- If you have a MetroCluster configuration, you must have confirmed that the MetroCluster Configuration State is configured and that the nodes are in an enabled and normal state (`metrocluster node show`).

Steps

1. If AutoSupport is enabled, suppress automatic case creation by invoking an AutoSupport message:

```
system node autosupport invoke -node * -type all -message  
MAINT=number_of_hours_downh
```

The following AutoSupport message suppresses automatic case creation for two hours: `cluster1:*>`

```
system node autosupport invoke -node * -type all -message MAINT=2h
```

2. Disable automatic giveback from the console of the healthy controller: `storage failover modify -node local -auto-giveback false`
3. Take the impaired controller to the LOADER prompt:

If the impaired controller is displaying...	Then...
The LOADER prompt	Go to the next step.

If the impaired controller is displaying...	Then...
Waiting for giveback...	Press Ctrl-C, and then respond <i>y</i> when prompted.
System prompt or password prompt (enter system password)	Take over or halt the impaired controller from the healthy controller: <pre>storage failover takeover -ofnode impaired_node_name</pre> When the impaired controller shows Waiting for giveback..., press Ctrl-C, and then respond <i>y</i> .

Replace the boot media - ASA C800

To replace the boot media, you must remove the impaired controller module, install the replacement boot media, and transfer the boot image to a USB flash drive.

Step 1: Remove the controller module

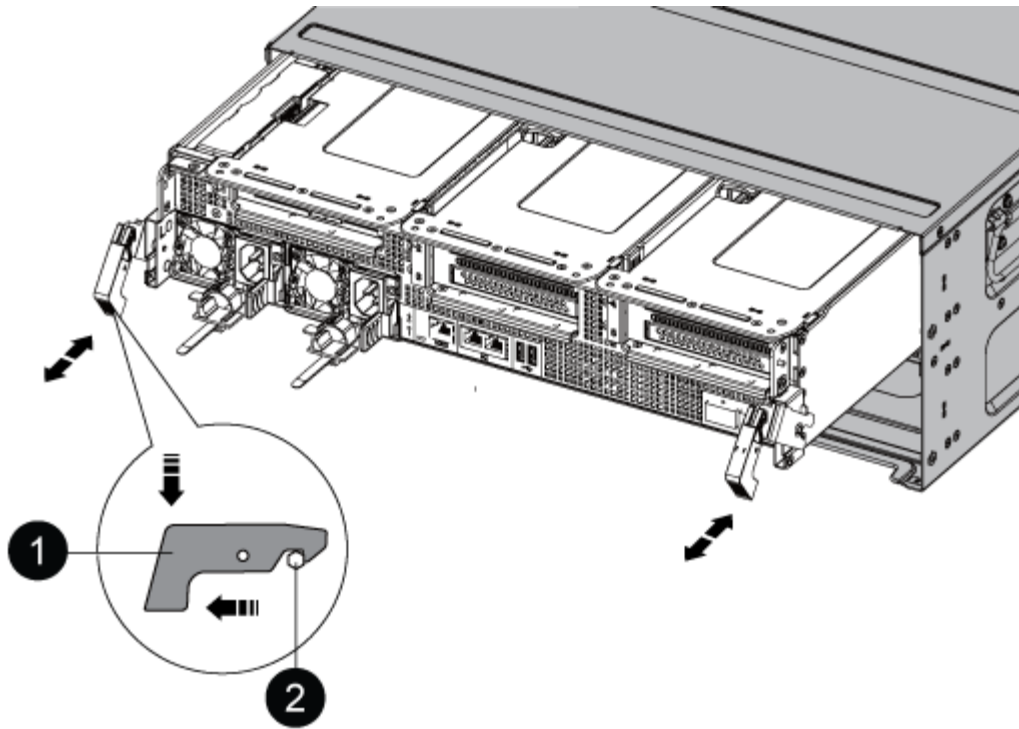
You must remove the controller module from the chassis when you replace the controller module or replace a component inside the controller module.

1. If you are not already grounded, properly ground yourself.
2. Unplug the controller module power supplies from the source.
3. Release the power cable retainers, and then unplug the cables from the power supplies.
4. Loosen the hook and loop strap binding the cables to the cable management device, and then unplug the system cables and SFP and QSFP modules (if needed) from the controller module, keeping track of where the cables were connected.

Leave the cables in the cable management device so that when you reinstall the cable management device, the cables are organized.

5. Remove the cable management device from the controller module and set it aside.
6. Press down on both of the locking latches, and then rotate both latches downward at the same time.

The controller module moves slightly out of the chassis.



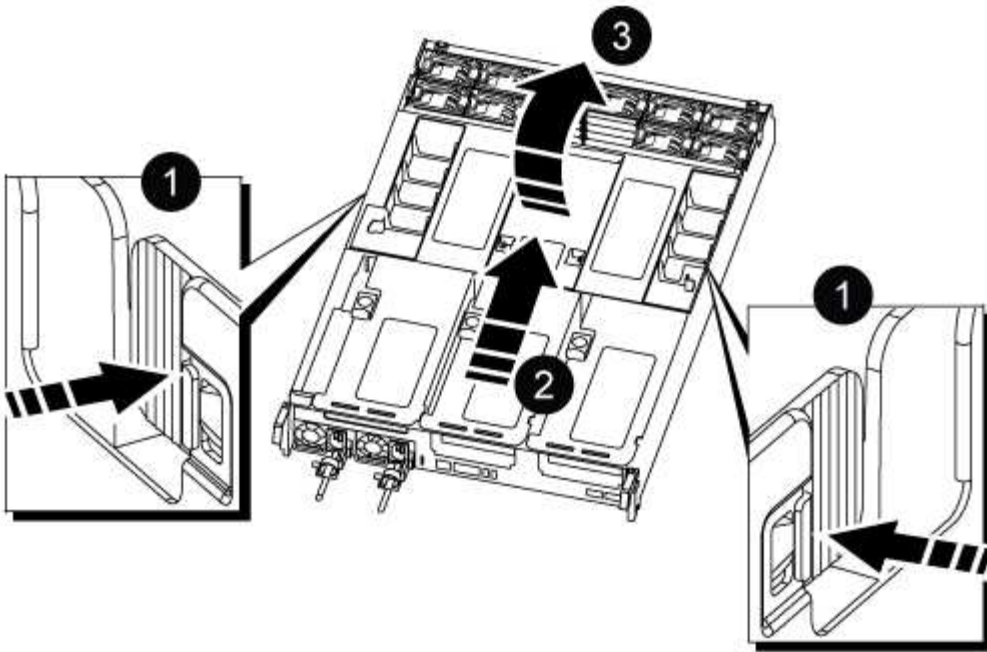
1	Locking latch
2	Locking pin

7. Slide the controller module out of the chassis.

Make sure that you support the bottom of the controller module as you slide it out of the chassis.

8. Place the controller module on a stable, flat surface, and then open the air duct:

- a. Press in the locking tabs on the sides of the air duct toward the middle of the controller module.
- b. Slide the air duct toward the fan modules, and then rotate it upward to its completely open position.



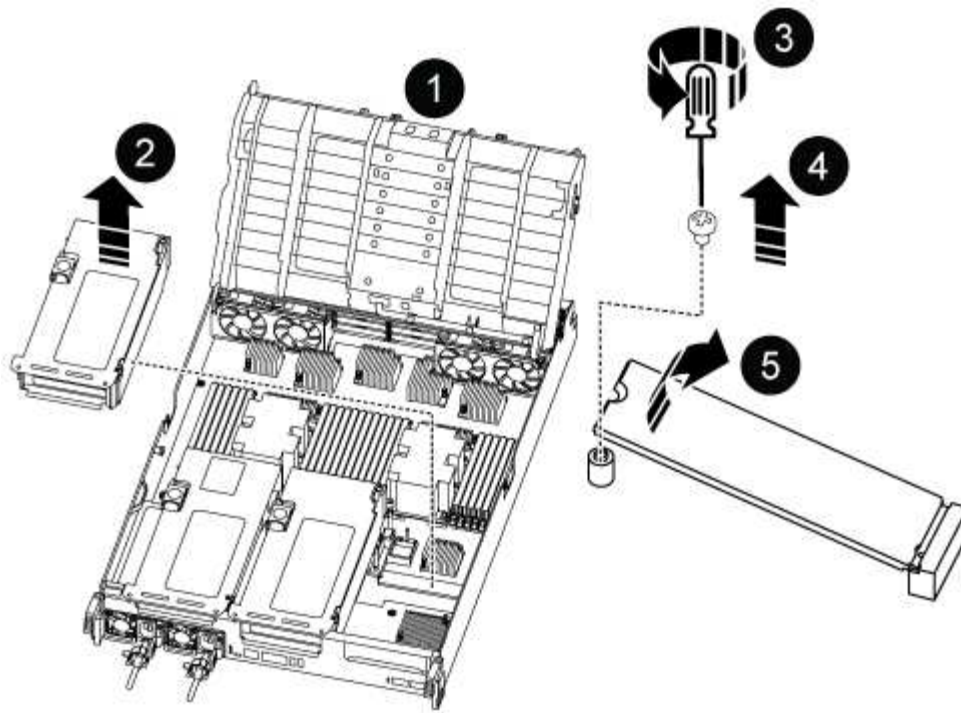
1	Air duct locking tabs
2	Slide air duct towards fan modules
3	Rotate air duct towards fan modules

Step 2: Replace the boot media

You locate the failed boot media in the controller module by removing Riser 3 on the controller module before you can replace the boot media.

You need a Phillips head screwdriver to remove the screw that holds the boot media in place.

1. Locate the boot media:



1	Air duct
2	Riser 3
3	Phillips #1 screwdriver
4	Boot media screw
5	Boot media

2. Remove the boot media from the controller module:

- a. Using a #1 Phillips head screwdriver, remove the screw holding down the boot media and set the screw aside in a safe place.
- b. Grasping the sides of the boot media, gently rotate the boot media up, and then pull the boot media straight out of the socket and set it aside.

3. Install the replacement boot media into the controller module:

- a. Align the edges of the boot media with the socket housing, and then gently push it squarely into the socket.
- b. Rotate the boot media down toward the motherboard.
- c. Secure the boot media to the motherboard using the boot media screw.

Do not over-tighten the screw or you might damage the boot media.

4. Reinstall the riser into the controller module.

5. Close the air duct:
 - a. Rotate the air duct downward.
 - b. Slide the air duct toward the risers until it clicks into place.

Step 3: Transfer the boot image to the boot media

The replacement boot media that you installed is without a boot image so you need to transfer a boot image using a USB flash drive.

Before you begin

- You must have a USB flash drive, formatted to FAT32, with at least 4GB capacity.
- A copy of the same image version of ONTAP as what the impaired controller was running. You can download the appropriate image from the Downloads section on the NetApp Support Site
 - If NVE is enabled, download the image with NetApp Volume Encryption, as indicated in the download button.
 - If NVE is not enabled, download the image without NetApp Volume Encryption, as indicated in the download button.
- If your system is an HA pair, you must have a network connection.
- If your system is a stand-alone system you do not need a network connection, but you must perform an additional reboot when restoring the var file system.

Steps

1. Download and copy the appropriate service image from the NetApp Support Site to the USB flash drive.
 - a. Download the service image to your work space on your laptop.
 - b. Unzip the service image.



If you are extracting the contents using Windows, do not use WinZip to extract the netboot image. Use another extraction tool, such as 7-Zip or WinRAR.

There are two folders in the unzipped service image file:

- boot
 - efi
- c. Copy the efi folder to the top directory on the USB flash drive.

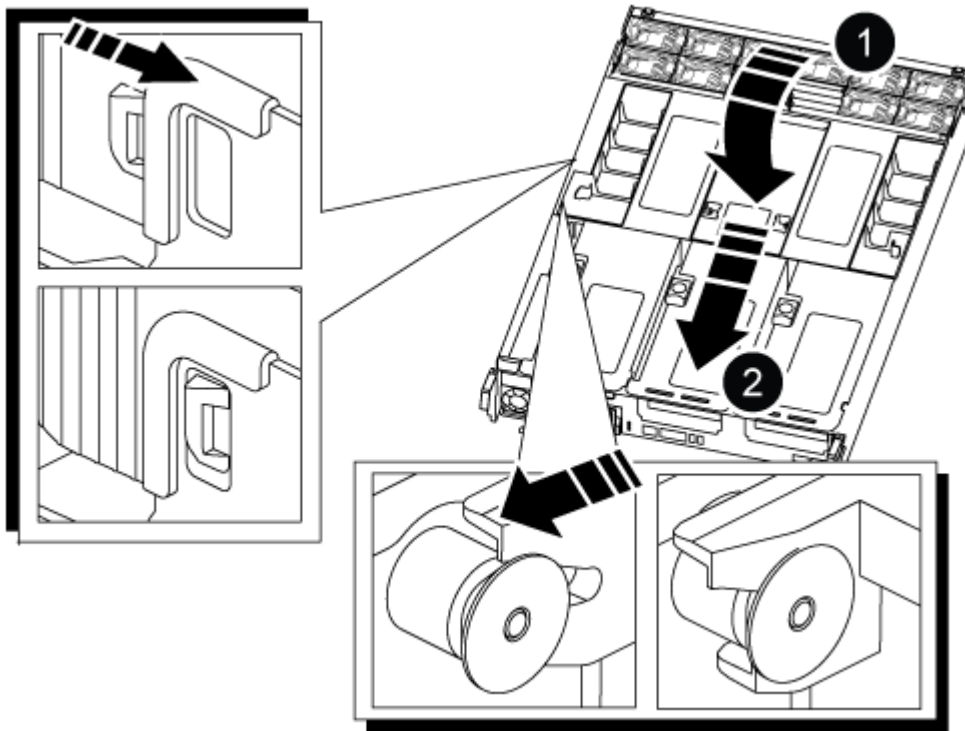


If the service image has no efi folder, see [EFI folder missing from Service Image download file used for boot device recovery for FAS and AFF models[^]](#).

The USB flash drive should have the efi folder and the same Service Image (BIOS) version of what the impaired controller is running.

- a. Remove the USB flash drive from your laptop.
2. If you have not already done so, close the air duct:
 - a. Swing the air duct all the way down to the controller module.
 - b. Slide the air duct toward the risers until the locking tabs click into place.

c. Inspect the air duct to make sure that it is properly seated and locked into place.



1	Air duct
2	Risers

3. Align the end of the controller module with the opening in the chassis, and then gently push the controller module halfway into the system.
4. Reinstall the cable management device and recable the system, as needed.

When recabling, remember to reinstall the media converters (SFPs or QSFPs) if they were removed.

5. Plug the power cable into the power supply and reinstall the power cable retainer.
6. Insert the USB flash drive into the USB slot on the controller module.

Make sure that you install the USB flash drive in the slot labeled for USB devices, and not in the USB console port.

7. Gently push the controller module all the way into the system until the controller module locking hooks begin to rise, firmly push on the locking hooks to finish seating the controller module, and then swing the locking hooks into the locked position over the pins on the controller module.

The controller begins to boot as soon as it is completely installed into the chassis.

8. Interrupt the boot process by pressing Ctrl-C to stop at the LOADER prompt.

If you miss this message, press Ctrl-C, select the option to boot to Maintenance mode, and then halt the controller to boot to LOADER.

Boot the recovery image - ASA C800

You must boot the ONTAP image from the USB drive, restore the file system, and verify the environmental variables.

1. From the LOADER prompt, boot the recovery image from the USB flash drive: `boot_recovery`

The image is downloaded from the USB flash drive.

2. When prompted, either enter the name of the image or accept the default image displayed inside the brackets on your screen.
3. Restore the var file system:

If your system has...	Then...
A network connection	<ol style="list-style-type: none">a. Press <code>y</code> when prompted to restore the backup configuration.b. Set the healthy controller to advanced privilege level: <code>set -privilege advanced</code>c. Run the restore backup command: <code>system node restore-backup -node local -target-address <i>impaired_node_IP_address</i></code>d. Return the controller to admin level: <code>set -privilege admin</code>e. Press <code>y</code> when prompted to use the restored configuration.f. Press <code>y</code> when prompted to reboot the controller.
No network connection	<ol style="list-style-type: none">a. Press <code>n</code> when prompted to restore the backup configuration.b. Reboot the system when prompted by the system.c. Select the Update flash from backup config (sync flash) option from the displayed menu. If you are prompted to continue with the update, press <code>y</code>.

If your system has...	Then...
No network connection and is in a MetroCluster IP configuration	<p>a. Press n when prompted to restore the backup configuration.</p> <p>b. Reboot the system when prompted by the system.</p> <p>c. Wait for the iSCSI storage connections to connect.</p> <p>You can proceed after you see the following messages:</p> <div data-bbox="672 394 1484 1255" style="border: 1px solid #ccc; padding: 10px; margin: 10px 0;"> <pre> date-and-time [node- name:iscsi.session.stateChanged:notice]: iSCSI session state is changed to Connected for the target iSCSI-target (type: dr_auxiliary, address: ip-address). date-and-time [node- name:iscsi.session.stateChanged:notice]: iSCSI session state is changed to Connected for the target iSCSI-target (type: dr_partner, address: ip-address). date-and-time [node- name:iscsi.session.stateChanged:notice]: iSCSI session state is changed to Connected for the target iSCSI-target (type: dr_auxiliary, address: ip-address). date-and-time [node- name:iscsi.session.stateChanged:notice]: iSCSI session state is changed to Connected for the target iSCSI-target (type: dr_partner, address: ip-address). </pre> </div> <p>d. Select the Update flash from backup config (sync flash) option from the displayed menu.</p> <p>If you are prompted to continue with the update, press y.</p>

4. Ensure that the environmental variables are set as expected:

- a. Take the controller to the LOADER prompt.
- b. Check the environment variable settings with the `printenv` command.
- c. If an environment variable is not set as expected, modify it with the `setenv environment_variable_name changed_value` command.
- d. Save your changes using the `savenv` command.

5. The next depends on your system configuration:

- If your system has onboard keymanager, NSE or NVE configured, go to [Restore OKM, NSE, and NVE as needed](#)

- If your system does not have onboard keymanager, NSE or NVE configured, complete the steps in this section.

6. From the LOADER prompt, enter the `boot_ontap` command.

If you see...	Then...
The login prompt	Go to the next Step.
Waiting for giveback...	a. Log into the partner controller. b. Confirm the target controller is ready for giveback with the <code>storage failover show</code> command.

7. Connect the console cable to the partner controller.

8. Give back the controller using the `storage failover giveback -fromnode local` command

9. At the cluster prompt, check the logical interfaces with the `net int -is-home false` command.

If any interfaces are listed as "false", revert those interfaces back to their home port using the `net int revert` command.

10. Move the console cable to the repaired controller and run the `version -v` command to check the ONTAP versions.

11. Restore automatic giveback if you disabled it by using the `storage failover modify -node local -auto-giveback true` command.

Restore encryption - ASA C800

Restore encryption on the replacement boot media.

You must complete steps specific to systems that have Onboard Key Manager (OKM), NetApp Storage Encryption (NSE) or NetApp Volume Encryption (NVE) enabled using the settings that you captured at the beginning of the boot media replace procedure.

Depending on which a key manger is configured on your system, select one of the following options to restore it from the boot menu.

- [Option 1: Restore the Onboard Key Manager configuration](#)
- [Option 2: Restore the External Key Manager configuration](#)

Option 1: Restore the Onboard Key Manager configuration

Restore the Onboard Key Manager (OKM) configuration from the ONTAP boot menu.

Before you begin

- Make sure you have following information while restoring the OKM configuration:
 - Cluster-wide passphrase entered [while enabling onboard key management](#).
 - [Backup information for the Onboard Key Manager](#).
- Perform the [How to verify onboard key management backup and cluster-wide passphrase](#) procedure

before proceeding.

Steps

1. Connect the console cable to the target controller.
2. From the ONTAP boot menu select the appropriate option from the boot menu.

ONTAP version	Select this option
ONTAP 9.8 or later	<p data-bbox="626 382 829 413">Select option 10.</p> <p data-bbox="626 447 948 478">Show example boot menu</p> <div data-bbox="656 516 1455 1297" style="border: 1px solid #ccc; padding: 10px;"><p data-bbox="683 554 1292 585">Please choose one of the following:</p><ul style="list-style-type: none"><li data-bbox="683 634 971 665">(1) Normal Boot.<li data-bbox="683 674 1133 705">(2) Boot without /etc/rc.<li data-bbox="683 714 1045 745">(3) Change password.<li data-bbox="683 753 1365 825">(4) Clean configuration and initialize all disks.<li data-bbox="683 833 1149 865">(5) Maintenance mode boot.<li data-bbox="683 873 1328 905">(6) Update flash from backup config.<li data-bbox="683 913 1240 945">(7) Install new software first.<li data-bbox="683 953 971 984">(8) Reboot node.<li data-bbox="683 993 1192 1064">(9) Configure Advanced Drive Partitioning.<li data-bbox="683 1073 1333 1144">(10) Set Onboard Key Manager recovery secrets.<li data-bbox="683 1152 1317 1224">(11) Configure node for external key management.<p data-bbox="683 1232 1032 1264">Selection (1-11)? 10</p></div>

ONTAP version	Select this option
ONTAP 9.7 and earlier	<p data-bbox="621 163 1365 195">Select the hidden option <code>recover_onboard_keymanager</code></p> <p data-bbox="621 233 948 264">Show example boot menu</p> <div data-bbox="654 306 1455 968" style="border: 1px solid #ccc; padding: 10px; background-color: #f9f9f9;"> <p data-bbox="683 342 1292 373">Please choose one of the following:</p> <ul style="list-style-type: none"> <li data-bbox="683 422 976 453">(1) Normal Boot. <li data-bbox="683 464 1133 495">(2) Boot without <code>/etc/rc</code>. <li data-bbox="683 506 1045 537">(3) Change password. <li data-bbox="683 548 1365 611">(4) Clean configuration and initialize all disks. <li data-bbox="683 621 1154 653">(5) Maintenance mode boot. <li data-bbox="683 663 1328 695">(6) Update flash from backup config. <li data-bbox="683 705 1240 737">(7) Install new software first. <li data-bbox="683 747 976 779">(8) Reboot node. <li data-bbox="683 789 1192 852">(9) Configure Advanced Drive Partitioning. <p data-bbox="683 863 980 894">Selection (1-19)?</p> <p data-bbox="683 905 1138 936"><code>recover_onboard_keymanager</code></p> </div>

3. Confirm that you want to continue the recovery process.

Show example prompt

```
This option must be used only in disaster recovery procedures. Are you
sure? (y or n):
```

4. Enter the cluster-wide passphrase twice.

While entering the passphrase the console will not show any input.

Show example prompt

```
Enter the passphrase for onboard key management:
Enter the passphrase again to confirm:
```

5. Enter the backup information.

a. Paste the entire content from the BEGIN BACKUP line through the END BACKUP line.

Show example prompt

Enter the backup data:

```
-----BEGIN BACKUP-----  
01234567890123456789012345678901234567890123456789012345678901234567890123  
12345678901234567890123456789012345678901234567890123456789012345678901234  
23456789012345678901234567890123456789012345678901234567890123456789012345  
34567890123456789012345678901234567890123456789012345678901234567890123456  
45678901234567890123456789012345678901234567890123456789012345678901234567  
AAAAAAAAAAAAAAAAAAAAAAAAAAAAAAAAAAAAAAAAAAAAAAAAAAAAAAAAAAAAAAAAAAAAAAAAAAAA  
AAAAAAAAAAAAAAAAAAAAAAAAAAAAAAAAAAAAAAAAAAAAAAAAAAAAAAAAAAAAAAAAAAAAAAAAAAAA  
AAAAAAAAAAAAAAAAAAAAAAAAAAAAAAAAAAAAAAAAAAAAAAAAAAAAAAAAAAAAAAAAAAAAAAAAAAAA  
AAAAAAAAAAAAAAAAAAAAAAAAAAAAAAAAAAAAAAAAAAAAAAAAAAAAAAAAAAAAAAAAAAAAAAAAAAAA  
AAAAAAAAAAAAAAAAAAAAAAAAAAAAAAAAAAAAAAAAAAAAAAAAAAAAAAAAAAAAAAAAAAAAAAAAAAAA  
AAAAAAAAAAAAAAAAAAAAAAAAAAAAAAAAAAAAAAAAAAAAAAAAAAAAAAAAAAAAAAAAAAAAAAAAAAAA  
AAAAAAAAAAAAAAAAAAAAAAAAAAAAAAAAAAAAAAAAAAAAAAAAAAAAAAAAAAAAAAAAAAAAAAAAAAAA  
AAAAAAAAAAAAAAAAAAAAAAAAAAAAAAAAAAAAAAAAAAAAAAAAAAAAAAAAAAAAAAAAAAAAAAAAAAAA  
AAAAAAAAAAAAAAAAAAAAAAAAAAAAAAAAAAAAAAAAAAAAAAAAAAAAAAAAAAAAAAAAAAAAAAAAAAAA  
AAAAAAAAAAAAAAAAAAAAAAAAAAAAAAAAAAAAAAAAAAAAAAAAAAAAAAAAAAAAAAAAAAAAAAAAAAAA  
AAAAAAAAAAAAAAAAAAAAAAAAAAAAAAAAAAAAAAAAAAAAAAAAAAAAAAAAAAAAAAAAAAAAAAAAAAAA  
AAAAAAAAAAAAAAAAAAAAAAAAAAAAAAAAAAAAAAAAAAAAAAAAAAAAAAAAAAAAAAAAAAAAAAAAAAAA  
AAAAAAAAAAAAAAAAAAAAAAAAAAAAAAAAAAAAAAAAAAAAAAAAAAAAAAAAAAAAAAAAAAAAAAAAAAAA  
AAAAAAAAAAAAAAAAAAAAAAAAAAAAAAAAAAAAAAAAAAAAAAAAAAAAAAAAAAAAAAAAAAAAAAAAAAAA  
AAAAAAAAAAAAAAAAAAAAAAAAAAAAAAAAAAAAAAAAAAAAAAAAAAAAAAAAAAAAAAAAAAAAAAAAAAAA  
AAAAAAAAAAAAAAAAAAAAAAAAAAAAAAAAAAAAAAAAAAAAAAAAAAAAAAAAAAAAAAAAAAAAAAAAAAAA  
AAAAAAAAAAAAAAAAAAAAAAAAAAAAAAAAAAAAAAAAAAAAAAAAAAAAAAAAAAAAAAAAAAAAAAAAAAAA  
AAAAAAAAAAAAAAAAAAAAAAAAAAAAAAAAAAAAAAAAAAAAAAAAAAAAAAAAAAAAAAAAAAAAAAAAAAAA  
AAAAAAAAAAAAAAAAAAAAAAAAAAAAAAAAAAAAAAAAAAAAAAAAAAAAAAAAAAAAAAAAAAAAAAAAAAAA  
01234567890123456789012345678901234567890123456789012345678901234567890123  
12345678901234567890123456789012345678901234567890123456789012345678901234  
23456789012345678901234567890123456789012345678901234567890123456789012345  
AAAAAAAAAAAAAAAAAAAAAAAAAAAAAAAAAAAAAAAAAAAAAAAAAAAAAAAAAAAAAAAAAAAAAAAAAAAA  
AAAAAAAAAAAAAAAAAAAAAAAAAAAAAAAAAAAAAAAAAAAAAAAAAAAAAAAAAAAAAAAAAAAAAAAAAAAA  
AAAAAAAAAAAAAAAAAAAAAAAAAAAAAAAAAAAAAAAAAAAAAAAAAAAAAAAAAAAAAAAAAAAAAAAAAAAA  
-----END BACKUP-----
```

b. Press the enter key twice at the end of the input.

The recovery process completes.

Show example prompt

```
Trying to recover keymanager secrets....
Setting recovery material for the onboard key manager
Recovery secrets set successfully
Trying to delete any existing km_onboard.wkeydb file.

Successfully recovered keymanager secrets.

*****
*****
* Select option "(1) Normal Boot." to complete recovery process.
*
* Run the "security key-manager onboard sync" command to
synchronize the key database after the node reboots.
*****
*****
```



Do not proceed if the displayed output is anything other than `Successfully recovered keymanager secrets`. Perform troubleshooting to correct the error.

6. Select option 1 from the boot menu to continue booting into ONTAP.

Show example prompt

```
*****  
*****  
* Select option "(1) Normal Boot." to complete the recovery process.  
*  
*****  
*****  
  
(1) Normal Boot.  
(2) Boot without /etc/rc.  
(3) Change password.  
(4) Clean configuration and initialize all disks.  
(5) Maintenance mode boot.  
(6) Update flash from backup config.  
(7) Install new software first.  
(8) Reboot node.  
(9) Configure Advanced Drive Partitioning.  
(10) Set Onboard Key Manager recovery secrets.  
(11) Configure node for external key management.  
Selection (1-11)? 1
```

7. Confirm that the controller's console displays the following message.

```
Waiting for giveback...(Press Ctrl-C to abort wait)
```

8. From the partner node, giveback the partner controller by entering the following command.

```
storage failover giveback -fromnode local -only-cfo-aggregates true.
```

9. After booting with only the CFO aggregate, run the following command.

```
security key-manager onboard sync
```

10. Enter the cluster-wide passphrase for the Onboard Key Manager.

Show example prompt

```
Enter the cluster-wide passphrase for the Onboard Key Manager:
```

```
All offline encrypted volumes will be brought online and the corresponding volume encryption keys (VEKs) will be restored automatically within 10 minutes. If any offline encrypted volumes are not brought online automatically, they can be brought online manually using the "volume online -vserver <vserver> -volume <volume_name>" command.
```



If the sync is successful the cluster prompt is returned with no additional messages. If the sync fails an error message appears before returning to the cluster prompt. Do not continue until the error is corrected and the sync runs successfully.

11. Ensure that all keys are synced by entering the following command.

```
security key-manager key query -restored false.
```

```
There are no entries matching your query.
```



No results should appear when filtering for false in the restored parameter.

12. Giveback the node from the partner by entering the following command.

```
storage failover giveback -fromnode local
```

13. Restore automatic giveback, if you disabled it, by entering the following command.

```
storage failover modify -node local -auto-giveback true
```

14. If AutoSupport is enabled, restore automatic case creation by entering the following command.

```
system node autosupport invoke -node * -type all -message MAINT=END
```

Option 2: Restore the External Key Manager configuration

Restore the External Key Manager configuration from the ONTAP boot menu.

Before you begin

You need the following information for restoring the External Key Manager (EKM) configuration.

- A copy of the `/cfc card/kmip/servers.cfg` file from another cluster node or the following information:
 - The KMIP server address.
 - The KMIP port.
- A copy of the `/cfc card/kmip/certs/client.crt` file from another cluster node or the client certificate.

- A copy of the `/cfcard/kmip/certs/client.key` file from another cluster node or the client key.
- A copy of the `/cfcard/kmip/certs/CA.pem` file from another cluster node or the KMIP server CA(s).

Steps

1. Connect the console cable to the target controller.
2. Select option 11 from the ONTAP boot menu.

Show example boot menu

```
(1) Normal Boot.
(2) Boot without /etc/rc.
(3) Change password.
(4) Clean configuration and initialize all disks.
(5) Maintenance mode boot.
(6) Update flash from backup config.
(7) Install new software first.
(8) Reboot node.
(9) Configure Advanced Drive Partitioning.
(10) Set Onboard Key Manager recovery secrets.
(11) Configure node for external key management.
Selection (1-11)? 11
```

3. When prompted, confirm you have gathered the required information.

Show example prompt

```
Do you have a copy of the /cfcard/kmip/certs/client.crt file? {y/n}
Do you have a copy of the /cfcard/kmip/certs/client.key file? {y/n}
Do you have a copy of the /cfcard/kmip/certs/CA.pem file? {y/n}
Do you have a copy of the /cfcard/kmip/servers.cfg file? {y/n}
```

4. When prompted, enter the client and server information.

Show prompt

```
Enter the client certificate (client.crt) file contents:
Enter the client key (client.key) file contents:
Enter the KMIP server CA(s) (CA.pem) file contents:
Enter the server configuration (servers.cfg) file contents:
```

Show example

```
Enter the client certificate (client.crt) file contents:
-----BEGIN CERTIFICATE-----
MIIDvjCCAqagAwIBAgICN3gwDQYJKoZIhvcNAQELBQAwY8xCzAJBgNVBAYTA1VT
MRMwEQYDVQQIEwpDYWxpZm9ybmlhMQwwCgYDVQQHEwNTVkwxDzANBgNVBAoTBk5l
MSUwQusvzAFs8G3P54GG32iIRvaCFnj2gQpCxcilJ0qB2foiBGx5XVQ/Mtk+rlap
Pk4ECW/wqSOUXDYtJs1+RB+w0+SHx8mzxpzbz3mXF/X/1PC3YOzVNCq5eieek62si
Fp8=
-----END CERTIFICATE-----

Enter the client key (client.key) file contents:
-----BEGIN RSA PRIVATE KEY-----
<key_value>
-----END RSA PRIVATE KEY-----

Enter the KMIP server CA(s) (CA.pem) file contents:
-----BEGIN CERTIFICATE-----
MIIEizCCA3OgAwIBAgIBADANBgkqhkiG9w0BAQsFADCBjzELMAkGA1UEBhMCVVMx
7yaumMQETNrpMfP+nQMd34y4AmseWYGM6qG0z37BRnYU0Wf2qDL61cQ3/jkm7Y94
EQBKG1NY8dVyjphmYZv+
-----END CERTIFICATE-----

Enter the IP address for the KMIP server: 10.10.10.10
Enter the port for the KMIP server [5696]:

System is ready to utilize external key manager(s).
Trying to recover keys from key servers....
kmip_init: configuring ports
Running command '/sbin/ifconfig e0M'
..
..
kmip_init: cmd: ReleaseExtraBSDPort e0M
```

After you enter the client and server information, the recovery process completes.

Show example

```
System is ready to utilize external key manager(s).
Trying to recover keys from key servers....
[Aug 29 21:06:28]: 0x808806100: 0: DEBUG: kmip2::main:
[initOpenssl]:460: Performing initialization of OpenSSL
Successfully recovered keymanager secrets.
```


5. Select option 1 from the boot menu to continue booting into ONTAP.

Show example prompt

```
*****
*****
* Select option "(1) Normal Boot." to complete the recovery process.
*
*****
*****

(1) Normal Boot.
(2) Boot without /etc/rc.
(3) Change password.
(4) Clean configuration and initialize all disks.
(5) Maintenance mode boot.
(6) Update flash from backup config.
(7) Install new software first.
(8) Reboot node.
(9) Configure Advanced Drive Partitioning.
(10) Set Onboard Key Manager recovery secrets.
(11) Configure node for external key management.
Selection (1-11)? 1
```

6. Restore automatic giveback, if you disabled it, by entering the following command.

```
storage failover modify -node local -auto-giveback true
```

7. If AutoSupport is enabled, restore automatic case creation by entering the following command.

```
system node autosupport invoke -node * -type all -message MAINT=END
```

Return the failed part to NetApp - ASA C800

Return the failed part to NetApp, as described in the RMA instructions shipped with the kit. See the [Part Return and Replacements](#) page for further information.

Copyright information

Copyright © 2024 NetApp, Inc. All Rights Reserved. Printed in the U.S. No part of this document covered by copyright may be reproduced in any form or by any means—graphic, electronic, or mechanical, including photocopying, recording, taping, or storage in an electronic retrieval system—without prior written permission of the copyright owner.

Software derived from copyrighted NetApp material is subject to the following license and disclaimer:

THIS SOFTWARE IS PROVIDED BY NETAPP “AS IS” AND WITHOUT ANY EXPRESS OR IMPLIED WARRANTIES, INCLUDING, BUT NOT LIMITED TO, THE IMPLIED WARRANTIES OF MERCHANTABILITY AND FITNESS FOR A PARTICULAR PURPOSE, WHICH ARE HEREBY DISCLAIMED. IN NO EVENT SHALL NETAPP BE LIABLE FOR ANY DIRECT, INDIRECT, INCIDENTAL, SPECIAL, EXEMPLARY, OR CONSEQUENTIAL DAMAGES (INCLUDING, BUT NOT LIMITED TO, PROCUREMENT OF SUBSTITUTE GOODS OR SERVICES; LOSS OF USE, DATA, OR PROFITS; OR BUSINESS INTERRUPTION) HOWEVER CAUSED AND ON ANY THEORY OF LIABILITY, WHETHER IN CONTRACT, STRICT LIABILITY, OR TORT (INCLUDING NEGLIGENCE OR OTHERWISE) ARISING IN ANY WAY OUT OF THE USE OF THIS SOFTWARE, EVEN IF ADVISED OF THE POSSIBILITY OF SUCH DAMAGE.

NetApp reserves the right to change any products described herein at any time, and without notice. NetApp assumes no responsibility or liability arising from the use of products described herein, except as expressly agreed to in writing by NetApp. The use or purchase of this product does not convey a license under any patent rights, trademark rights, or any other intellectual property rights of NetApp.

The product described in this manual may be protected by one or more U.S. patents, foreign patents, or pending applications.

LIMITED RIGHTS LEGEND: Use, duplication, or disclosure by the government is subject to restrictions as set forth in subparagraph (b)(3) of the Rights in Technical Data -Noncommercial Items at DFARS 252.227-7013 (FEB 2014) and FAR 52.227-19 (DEC 2007).

Data contained herein pertains to a commercial product and/or commercial service (as defined in FAR 2.101) and is proprietary to NetApp, Inc. All NetApp technical data and computer software provided under this Agreement is commercial in nature and developed solely at private expense. The U.S. Government has a non-exclusive, non-transferrable, nonsublicensable, worldwide, limited irrevocable license to use the Data only in connection with and in support of the U.S. Government contract under which the Data was delivered. Except as provided herein, the Data may not be used, disclosed, reproduced, modified, performed, or displayed without the prior written approval of NetApp, Inc. United States Government license rights for the Department of Defense are limited to those rights identified in DFARS clause 252.227-7015(b) (FEB 2014).

Trademark information

NETAPP, the NETAPP logo, and the marks listed at <http://www.netapp.com/TM> are trademarks of NetApp, Inc. Other company and product names may be trademarks of their respective owners.