



# Fan

## ONTAP Systems

NetApp  
January 19, 2022

# Table of Contents

- Fan ..... 1
  - Shut down the impaired node - AFF A700s ..... 1
  - Remove the controller module - AFF A700s ..... 1
  - Replacing a fan - AFF A700s ..... 3
  - Reinstall the controller module - AFF A700s ..... 4
  - Return the failed part to NetApp - AFF A700s ..... 6

# Fan

## Shut down the impaired node - AFF A700s

To shut down the impaired node, you must determine the status of the node and, if necessary, take over the node so that the healthy node continues to serve data from the impaired node storage.

### About this task

If you have a cluster with more than two nodes, it must be in quorum. If the cluster is not in quorum or a healthy node shows false for eligibility and health, you must correct the issue before shutting down the impaired node; see the [Administration overview with the CLI](#).

### Steps

1. If AutoSupport is enabled, suppress automatic case creation by invoking an AutoSupport message:

```
system node autosupport invoke -node * -type all -message  
MAINT=number_of_hours_downh
```

The following AutoSupport message suppresses automatic case creation for two hours: `cluster1:*>`  
`system node autosupport invoke -node * -type all -message MAINT=2h`

2. Disable automatic giveback from the console of the healthy node: `storage failover modify -node local -auto-giveback false`
3. Take the impaired node to the LOADER prompt:

If the impaired node is displaying...	Then...
The LOADER prompt	Go to the next step.
Waiting for giveback...	Press Ctrl-C, and then respond <code>y</code> when prompted.
System prompt or password prompt (enter system password)	Take over or halt the impaired node: <ul style="list-style-type: none"><li>• For an HA pair, take over the impaired node from the healthy node: <code>storage failover takeover -ofnode <i>impaired_node_name</i></code></li></ul> When the impaired node shows Waiting for giveback..., press Ctrl-C, and then respond <code>y</code> .

## Remove the controller module - AFF A700s

You must remove the controller module from the chassis when you replace the controller module or replace a component inside the controller module.

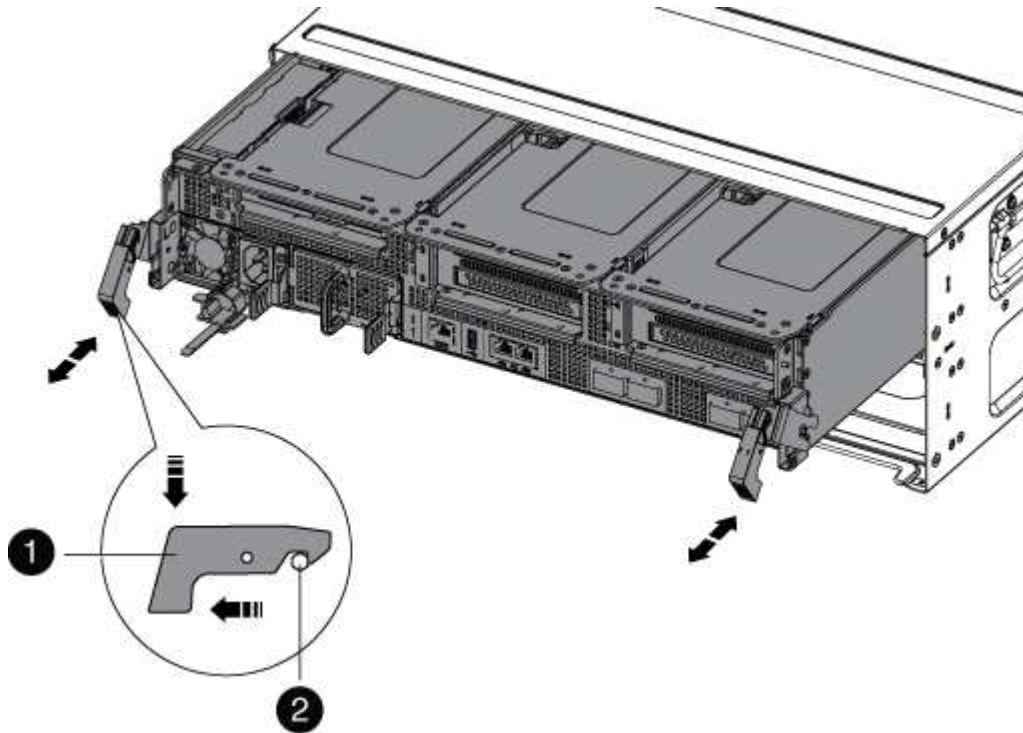
1. If you are not already grounded, properly ground yourself.

2. Loosen the hook and loop strap binding the cables to the cable management device, and then unplug the system cables and SFPs (if needed) from the controller module, keeping track of where the cables were connected.

Leave the cables in the cable management device so that when you reinstall the cable management device, the cables are organized.

3. Unplug the controller module power supply from the source, and then unplug the cable from the power supply.
4. Remove the cable management device from the controller module and set it aside.
5. Press down on both of the locking latches, and then rotate both latches downward at the same time.

The controller module moves slightly out of the chassis.

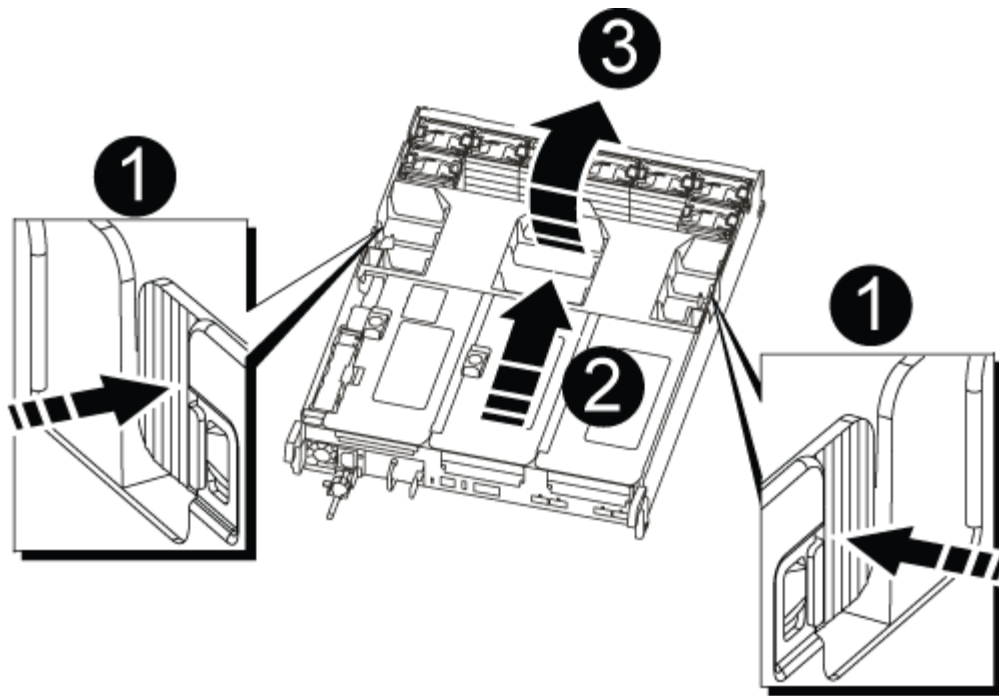


1	Locking latch
2	Locking pin

6. Slide the controller module out of the chassis.

Make sure that you support the bottom of the controller module as you slide it out of the chassis.

7. Place the controller module on a stable, flat surface, and then open the air duct:
  - a. Press in the locking tabs on the sides of the air duct toward the middle of the controller module.
  - b. Slide the air duct toward the fan modules, and then rotate it upward to its completely open position.

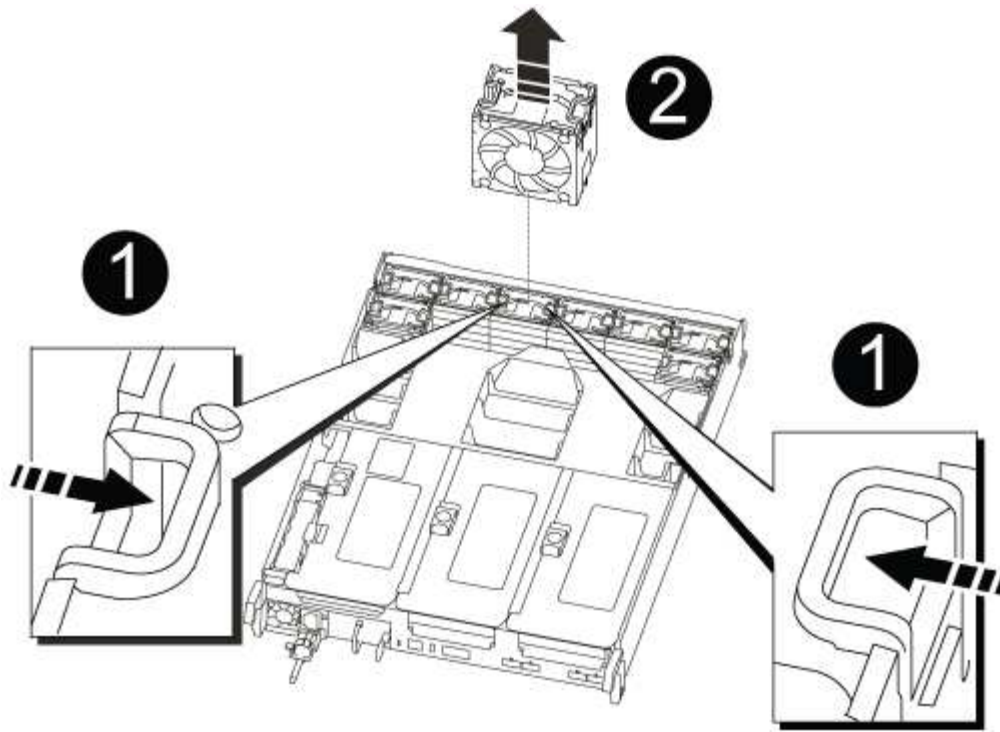


1	Air duct locking tabs
2	Risers
3	Air duct

## Replacing a fan - AFF A700s

To replace a fan, remove the failed fan module and replace it with a new fan module.

1. If you are not already grounded, properly ground yourself.
2. Identify the fan module that you must replace by checking the console error messages or by locating the lit LED for the fan module on the motherboard.
3. Remove the fan module by pinching the locking tabs on the side of the fan module, and then lifting the fan module straight out of the controller module.



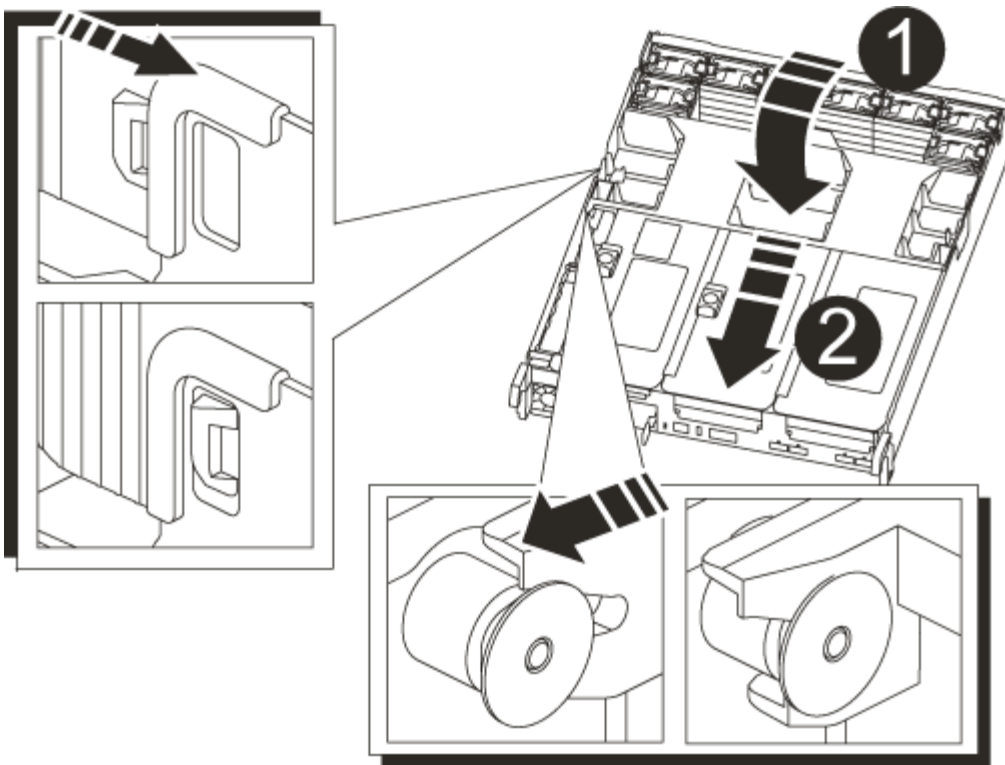
1	Fan locking tabs
2	Fan module

4. Align the edges of the replacement fan module with the opening in the controller module, and then slide the replacement fan module into the controller module until the locking latches click into place.

## Reinstall the controller module - AFF A700s


After you replace a component within the controller module, you must reinstall the controller module in the system chassis and boot it.

1. If you are not already grounded, properly ground yourself.
2. If you have not already done so, close the air duct:
  - a. Swing the air duct all the way down to the controller module.
  - b. Slide the air duct toward the risers until the locking tabs click into place.
  - c. Inspect the air duct to make sure that it is properly seated and locked into place.



1	Locking tabs
2	Slide plunger

3. Align the end of the controller module with the opening in the chassis, and then gently push the controller module halfway into the system.

 Do not completely insert the controller module in the chassis until instructed to do so.

4. Recable the system, as needed.


If you removed the media converters (QSFPs or SFPs), remember to reinstall them if you are using fiber optic cables.

5. Plug the power cord into the power supply, reinstall the power cable locking collar, and then connect the power supply to the power source.

6. Complete the reinstallation of the controller module:

- a. If you have not already done so, reinstall the cable management device.
- b. Firmly push the controller module into the chassis until it meets the midplane and is fully seated.

The locking latches rise when the controller module is fully seated.

 Do not use excessive force when sliding the controller module into the chassis to avoid damaging the connectors.

The controller module begins to boot as soon as it is fully seated in the chassis.

- c. Rotate the locking latches upward, tilting them so that they clear the locking pins, and then lower them into the locked position.
7. If your system is configured to support 10 GbE cluster interconnect and data connections on 40 GbE NICs or onboard ports, convert these ports to 10 GbE connections by using the `nicadmin convert` command from Maintenance mode.



Be sure to exit Maintenance mode after completing the conversion.

8. Return the node to normal operation by giving back its storage: `storage failover giveback -ofnode impaired_node_name`
9. If automatic giveback was disabled, reenable it: `storage failover modify -node local -auto-giveback true`

## Return the failed part to NetApp - AFF A700s

After you replace the part, you can return the failed part to NetApp, as described in the RMA instructions shipped with the kit. Contact technical support at [NetApp Support](#), 888-463-8277 (North America), 00-800-44-638277 (Europe), or +800-800-80-800 (Asia/Pacific) if you need the RMA number or additional help with the replacement procedure.



## Copyright Information

Copyright © 2022 NetApp, Inc. All rights reserved. Printed in the U.S. No part of this document covered by copyright may be reproduced in any form or by any means-graphic, electronic, or mechanical, including photocopying, recording, taping, or storage in an electronic retrieval system- without prior written permission of the copyright owner.

Software derived from copyrighted NetApp material is subject to the following license and disclaimer:

THIS SOFTWARE IS PROVIDED BY NETAPP "AS IS" AND WITHOUT ANY EXPRESS OR IMPLIED WARRANTIES, INCLUDING, BUT NOT LIMITED TO, THE IMPLIED WARRANTIES OF MERCHANTABILITY AND FITNESS FOR A PARTICULAR PURPOSE, WHICH ARE HEREBY DISCLAIMED. IN NO EVENT SHALL NETAPP BE LIABLE FOR ANY DIRECT, INDIRECT, INCIDENTAL, SPECIAL, EXEMPLARY, OR CONSEQUENTIAL DAMAGES (INCLUDING, BUT NOT LIMITED TO, PROCUREMENT OF SUBSTITUTE GOODS OR SERVICES; LOSS OF USE, DATA, OR PROFITS; OR BUSINESS INTERRUPTION) HOWEVER CAUSED AND ON ANY THEORY OF LIABILITY, WHETHER IN CONTRACT, STRICT LIABILITY, OR TORT (INCLUDING NEGLIGENCE OR OTHERWISE) ARISING IN ANY WAY OUT OF THE USE OF THIS SOFTWARE, EVEN IF ADVISED OF THE POSSIBILITY OF SUCH DAMAGE.

NetApp reserves the right to change any products described herein at any time, and without notice. NetApp assumes no responsibility or liability arising from the use of products described herein, except as expressly agreed to in writing by NetApp. The use or purchase of this product does not convey a license under any patent rights, trademark rights, or any other intellectual property rights of NetApp.

The product described in this manual may be protected by one or more U.S. patents, foreign patents, or pending applications.

RESTRICTED RIGHTS LEGEND: Use, duplication, or disclosure by the government is subject to restrictions as set forth in subparagraph (c)(1)(ii) of the Rights in Technical Data and Computer Software clause at DFARS 252.277-7103 (October 1988) and FAR 52-227-19 (June 1987).

## Trademark Information

NETAPP, the NETAPP logo, and the marks listed at <http://www.netapp.com/TM> are trademarks of NetApp, Inc. Other company and product names may be trademarks of their respective owners.