



Configure network ports (cluster administrators only)

ONTAP System Manager

NetApp
February 22, 2021

Table of Contents

- Configure network ports (cluster administrators only) 1
 - Overview 1
 - Combine physical ports to create interface groups 1
 - Configure VLANs over physical ports 7
 - Modify network port attributes 9
 - Modify MTU setting for interface group ports 10
 - Monitor the health of network ports 11
 - Monitor the reachability of network ports 12
 - Convert 40GbE NIC ports into multiple 10GbE ports for 10GbE connectivity 15
 - Removing a NIC from the node 16

Configure network ports (cluster administrators only)

Overview

The network ports are either physical ports or virtualized ports. Virtual local area networks (VLANs) and interface groups constitute the virtual ports. Interface groups treat several physical ports as a single port, while VLANs subdivide a physical port into multiple separate logical ports.

- Physical ports: LIFs can be configured directly on physical ports.
- Interface group: A port aggregate containing two or more physical ports that act as a single trunk port. An interface group can be single-mode, multimode, or dynamic multimode.
- VLAN: A logical port that receives and sends VLAN-tagged (IEEE 802.1Q standard) traffic. VLAN port characteristics include the VLAN ID for the port. The underlying physical port or interface group ports are considered VLAN trunk ports, and the connected switch ports must be configured to trunk the VLAN IDs.

The underlying physical port or interface group ports for a VLAN port can continue to host LIFs, which transmit and receive untagged traffic.

- Virtual IP (VIP) port: A logical port that is used as the home port for a VIP LIF. VIP ports are created automatically by the system and support only a limited number of operations.

The port naming convention is *enumberletter*:

- The first character describes the port type. "e" represents Ethernet.
- The second character indicates the numbered slot in which the port adapter is located.
- The third character indicates the port's position on a multiport adapter. "a" indicates the first port, "b" indicates the second port, and so on.

For example, **e0b** indicates that an Ethernet port is the second port on the node's motherboard. VLANs must be named by using the syntax **port_name-vlan-id**.

The **port_name** specifies the physical port or interface group and **vlan-id** specifies the VLAN identification on the network. For example, **e1c-80** is a valid VLAN name.

Combine physical ports to create interface groups

An interface group is created by combining two or more physical ports into a single logical port. The logical port provides increased resiliency, increased availability, and load sharing.

Interface group types

Three types of interface groups are supported on the storage system: single-mode, static multimode, and dynamic multimode. Each interface group provides different levels of fault tolerance. Multimode interface groups provide methods for load balancing network traffic.

Characteristics of single-mode interface groups

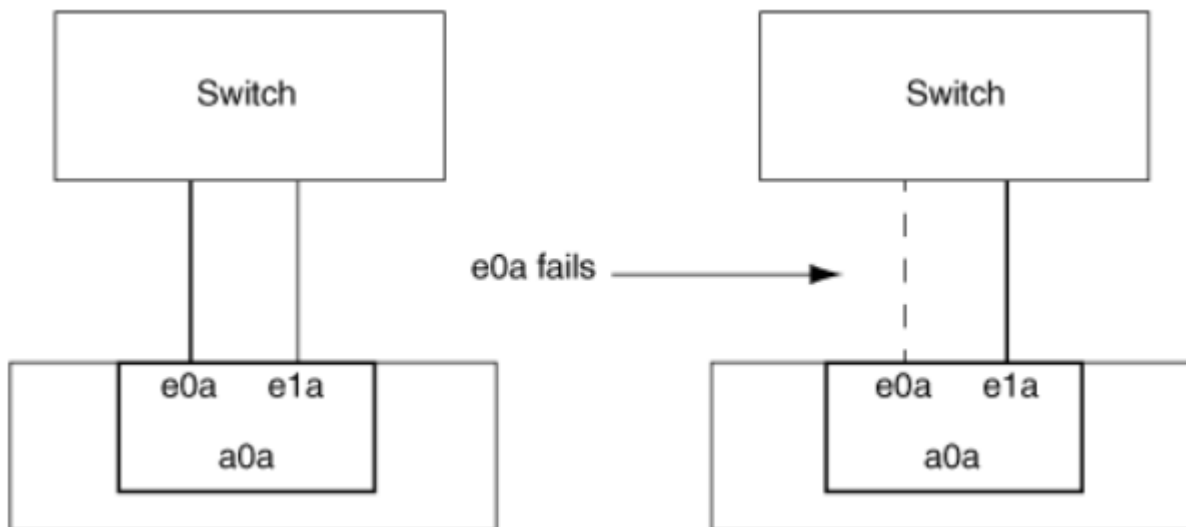
In a single-mode interface group, only one of the interfaces in the interface group is active. The other interfaces are on standby, ready to take over if the active interface fails.

Characteristics of a single-mode interface groups:

- For failover, the cluster monitors the active link and controls failover.

Because the cluster monitors the active link, there is no switch configuration required.

- There can be more than one interface on standby in a single-mode interface group.
- If a single-mode interface group spans multiple switches, you must connect the switches with an Inter-Switch link (ISL).
- For a single-mode interface group, the switch ports must be in the same broadcast domain.
- Link-monitoring ARP packets, which have a source address of 0.0.0.0, are sent over the ports to verify that the ports are in the same broadcast domain. The following figure is an example of a single-mode interface group. In the figure, e0a and e1a are part of the a0a single-mode interface group. If the active interface, e0a, fails, the standby e1a interface takes over and maintains the connection to the switch.



To accomplish single-mode functionality, the recommended approach is to instead use failover groups. By using a failover group, the second port can still be used for other LIFs and need not remain unused. Additionally, failover groups can span more than two ports and can span ports on multiple nodes.

Characteristics of static multimode interface groups

The static multimode interface group implementation in ONTAP complies with IEEE 802.3ad (static). Any switch that supports aggregates, but does not have control packet exchange for configuring an aggregate, can be used with static multimode interface groups.

Static multimode interface groups do not comply with IEEE 802.3ad (dynamic), also known as Link Aggregation Control Protocol (LACP). LACP is equivalent to Port Aggregation Protocol (PAgP), the proprietary link aggregation protocol from Cisco.

The following are characteristics of a static multimode interface group:

- All interfaces in the interface group are active and share a single MAC address.
 - Multiple individual connections are distributed among the interfaces in the interface group.
 - Each connection or session uses one interface within the interface group.

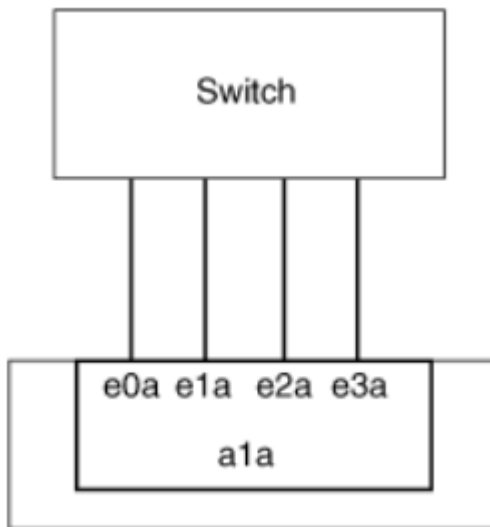
When you use the sequential load balancing scheme, all sessions are distributed across available links on a packet-by-packet basis, and are not bound to a particular interface from the interface group.

- Static multimode interface groups can recover from a failure of up to "n-1" interfaces, where n is the total number of interfaces that form the interface group.
- If a port fails or is unplugged, the traffic that was traversing the failed link is automatically redistributed to one of the remaining interfaces.
- Static multimode interface groups can detect a loss of link, but they cannot detect a loss of connectivity to the client or switch misconfigurations that might impact connectivity and performance.
- A static multimode interface group requires a switch that supports link aggregation over multiple switch ports.

The switch is configured so that all ports to which links of an interface group are connected are part of a single logical port. Some switches might not support link aggregation of ports configured for jumbo frames. For more information, see your switch vendor's documentation.

- Several load balancing options are available to distribute traffic among the interfaces of a static multimode interface group.

The following figure is an example of a static multimode interface group. Interfaces e0a, e1a, e2a, and e3a are part of the a1a multimode interface group. All four interfaces in the a1a multimode interface group are active.



Several technologies exist that enable traffic in a single aggregated link to be distributed across multiple physical switches. The technologies used to enable this capability vary among networking products. Static multimode interface groups in ONTAP conform to the IEEE 802.3 standards. If a particular multiple switch link aggregation technology is said to interoperate with or conform to the IEEE 802.3 standards, it should operate with ONTAP.

The IEEE 802.3 standard states that the transmitting device in an aggregated link determines the physical interface for transmission. Therefore, ONTAP is only responsible for distributing outbound traffic, and cannot control how inbound frames arrive. If you want to manage or control the transmission of inbound traffic on an aggregated link, that transmission must be modified on the directly connected network device.

Dynamic multimode interface group

Dynamic multimode interface groups implement Link Aggregation Control Protocol (LACP) to communicate group membership to the directly attached switch. LACP enables you to detect the loss of link status and the inability of the node to communicate with the direct-attached switch port.

Dynamic multimode interface group implementation in ONTAP complies with IEEE 802.3 AD (802.1 AX). ONTAP does not support Port Aggregation Protocol (PAgP), which is a proprietary link aggregation protocol from Cisco.

A dynamic multimode interface group requires a switch that supports LACP.

ONTAP implements LACP in nonconfigurable active mode that works well with switches that are configured in either active or passive mode. ONTAP implements the long and short LACP timers (for use with nonconfigurable values 3 seconds and 90 seconds), as specified in IEEE 802.3 AD (802.1AX).

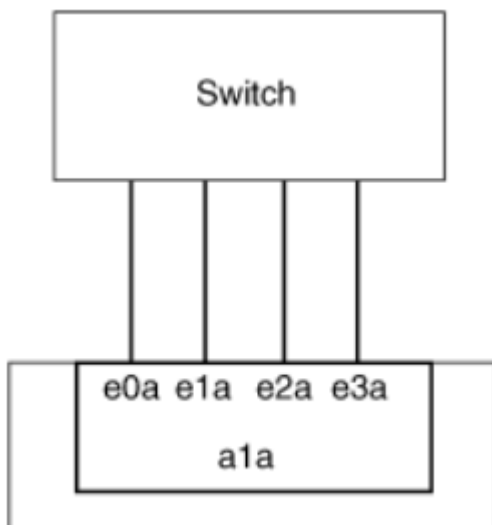
The ONTAP load balancing algorithm determines the member port to be used to transmit outbound traffic, and does not control how inbound frames are received. The switch determines the member (individual physical port) of its port channel group to be used for transmission, based on the load balancing algorithm configured in the switch's port channel group. Therefore, the switch configuration determines the member port (individual physical port) of the storage system to receive traffic. For more information about configuring the switch, see the documentation from your switch vendor.

If an individual interface fails to receive successive LACP protocol packets, then that individual interface is marked as "lag_inactive" in the output of "ifgrp status" command. Existing traffic is automatically rerouted to any remaining active interfaces.

The following rules apply when using dynamic multimode interface groups:

- Dynamic multimode interface groups should be configured to use the port-based, IP-based, MAC-based, or round robin load balancing methods.
- In a dynamic multimode interface group, all interfaces must be active and share a single MAC address.

The following figure is an example of a dynamic multimode interface group. Interfaces e0a, e1a, e2a, and e3a are part of the a1a multimode interface group. All four interfaces in the a1a dynamic multimode interface group are active.



Load balancing in multimode interface groups

You can ensure that all interfaces of a multimode interface group are equally utilized for outgoing traffic by using the IP address, MAC address, sequential, or port-based load balancing methods to distribute network traffic equally over the network ports of a multimode interface group.

The load balancing method for a multimode interface group can be specified only when the interface group is created.

Best Practice: Port-based load balancing is recommended whenever possible. Use port-based load balancing unless there is a specific reason or limitation in the network that prevents it.

Port-based load balancing

Port-based load balancing is the recommended method.

You can equalize traffic on a multimode interface group based on the transport layer (TCP/UDP) ports by using the port-based load balancing method.

The port-based load balancing method uses a fast hashing algorithm on the source and destination IP addresses along with the transport layer port number.

IP address and MAC address load balancing

IP address and MAC address load balancing are the methods for equalizing traffic on multimode interface groups.

These load balancing methods use a fast hashing algorithm on the source and destination addresses (IP address and MAC address). If the result of the hashing algorithm maps to an interface that is not in the UP link-state, the next active interface is used.



Do not select the MAC address load balancing method when creating interface groups on a system that connects directly to a router. In such a setup, for every outgoing IP frame, the destination MAC address is the MAC address of the router. As a result, only one interface of the interface group is used.

IP address load balancing works in the same way for both IPv4 and IPv6 addresses.

Sequential load balancing

You can use sequential load balancing to equally distribute packets among multiple links using a round robin algorithm. You can use the sequential option for load balancing a single connection's traffic across multiple links to increase single connection throughput.

However, because sequential load balancing may cause out-of-order packet delivery, extremely poor performance can result. Therefore, sequential load balancing is generally not recommended.

Create an interface group

You can create an interface group—single-mode, static multimode, or dynamic multimode (LACP)—to present a single interface to clients by combining the capabilities of the aggregated network ports.

About this task

- For a complete list of configuration restrictions that apply to port interface groups, see the [network port](#)

`ifgrp add-port` man page.

- When creating a multimode interface group, you can specify any of the following load-balancing methods:
 - `port`: Network traffic is distributed on the basis of the transport layer (TCP/UDP) ports. This is the recommended load-balancing method.
 - `mac`: Network traffic is distributed on the basis of MAC addresses.
 - `ip`: Network traffic is distributed on the basis of IP addresses.
 - `sequential`: Network traffic is distributed as it is received.



The MAC address of an interface group is determined by the order of the underlying ports and how these ports initialize during bootup. You should therefore not assume that the `ifgrp` MAC address is persistent across reboots or ONTAP upgrades.

Step

Use the `network port ifgrp create` command to create an interface group.

Interface groups must be named using the syntax `a<number><letter>`. For example, `a0a`, `a0b`, `a1c`, and `a2a` are valid interface group names.

For more information about this command, see the man pages.

The following example shows how to create an interface group named `a0a` with a distribution function of `port` and a mode of `multimode`:

```
network port ifgrp create -node cluster-1-01 -ifgrp a0a -distr-func port -mode multimode
```

Add a port to an interface group

You can add up to 16 physical ports to an interface group for all port speeds.

Step

Add network ports to the interface group:

```
network port ifgrp add-port
```

For more information about this command, see [ONTAP 9 commands](#).

The following example shows how to add port `e0c` to an interface group named `a0a`:

```
network port ifgrp add-port -node cluster-1-01 -ifgrp a0a -port e0c
```

Interface groups are automatically placed into an appropriate broadcast domain about one minute after the first physical port is added to the interface group.

Remove a port from an interface group

You can remove a port from an interface group that hosts LIFs, as long as it is not the last port in the interface group. There is no requirement that the interface group must not host LIFs or that the interface group must not be the home port of a LIF considering that you are not removing the last port from the interface group. However, if you are removing the last port, then you must migrate or move the LIFs from the interface group

first.

About this task

You can remove up to 16 ports (physical interfaces) from an interface group.

Step

Remove network ports from an interface group:

```
network port ifgrp remove-port
```

The following example shows how to remove port e0c from an interface group named a0a:

```
network port ifgrp remove-port -node cluster-1-01 -ifgrp a0a -port e0c
```

Delete an interface group

You can delete interface groups if you want to configure LIFs directly on the underlying physical ports or decide to change the interface group mode or distribution function.

Before you begin

- The interface group must not be hosting a LIF.
- The interface group must be neither the home port nor the failover target of a LIF.

Step

Use the `network port ifgrp delete` command to delete an interface group. For more information about this command, see [ONTAP 9 commands](#).

The following example shows how to delete an interface group named a0b:

```
network port ifgrp delete -node cluster-1-01 -ifgrp a0b
```

Configure VLANs over physical ports

VLANs provide logical segmentation of networks by creating separate broadcast domains that are defined on a switch port basis as opposed to the traditional broadcast domains, defined on physical boundaries. A VLAN can span multiple physical network segments. The end-stations belonging to a VLAN are related by function or application.

For example, end-stations in a VLAN might be grouped by departments, such as engineering and accounting, or by projects, such as release1 and release2. Because physical proximity of the end-stations is not essential in a VLAN, you can disperse the end-stations geographically and still contain the broadcast domain in a switched network.

You can manage VLANs by creating, deleting, or displaying information about them.



You should not create a VLAN on a network interface with the same identifier as the native VLAN of the switch. For example, if the network interface e0b is on native VLAN 10, you should not create a VLAN e0b-10 on that interface.

Create a VLAN

You can create a VLAN for maintaining separate broadcast domains within the same network domain by using the `network port vlan create` command.

Before you begin

Your network administrator must have confirmed that the following requirements have been met:

- The switches deployed in the network must either comply with IEEE 802.1Q standards or have a vendor-specific implementation of VLANs.
- For supporting multiple VLANs, an end-station must be statically configured to belong to one or more VLANs.
- The VLAN is not attached to a port hosting a cluster LIF.
- The VLAN is not attached to ports assigned to the Cluster IPspace.
- The VLAN is not created on an interface group port that contains no member ports.

About this task

In certain circumstances, if you want to create the VLAN port on a degraded port without correcting the hardware issue or any software misconfiguration, then you can set the `-ignore- health-status` parameter of the `network port modify` command as true.

Creating a VLAN attaches the VLAN to the network port on a specified node in a cluster.

When you configure a VLAN over a port for the first time, the port might go down, resulting in a temporary disconnection of the network. Subsequent VLAN additions to the same port do not affect the port state.

Note: You should not create a VLAN on a network interface with the same identifier as the native VLAN of the switch. For example, if the network interface e0b is on native VLAN 10, you should not create a VLAN e0b-10 on that interface.

Step

1. Use the `network port vlan create` command to create a VLAN.
2. You must specify either the `vlan-name` or the `port` and `vlan-id` options when creating a VLAN. The VLAN name is a combination of the name of the port (or interface group) and the network switch VLAN identifier, with a hyphen in between. For example, e0c-24 and e1c-80 are valid VLAN names.

The following example shows how to create a VLAN e1c-80 attached to network port e1c on the node cluster-1-01:

```
network port vlan create -node cluster-1-01 -vlan-name e1c-80
```

3. VLANs are automatically placed into appropriate broadcast domains about one minute after their creation.

For more information about this command, see the man page.

Delete a VLAN

You might have to delete a VLAN before removing a NIC from its slot. When you delete a VLAN, it is

automatically removed from all of the failover rules and groups that use it.

Before you begin

There must be no LIFs associated with the VLAN.

About this task

Deletion of the last VLAN from a port might cause a temporary disconnection of the network from the port.

Step

Use the `network port vlan delete` command to delete a VLAN.

The following example shows how to delete VLAN e1c-80 from network port e1c on the node cluster-1-01:

```
network port vlan delete -node cluster-1-01 -vlan-name e1c-80
```

Modify network port attributes

You can modify the autonegotiation, duplex, flow control, speed, and health settings of a physical network port.

Before you begin

The port that you want to modify must not be hosting any LIFs.

About this task

- You should not modify the administrative settings of the 100 GbE, 40 GbE, 10 GbE or 1 GbE network interfaces.

The values that you can set for duplex mode and port speed are referred to as administrative settings. Depending on network limitations, the administrative settings can differ from the operational settings (that is, the duplex mode and speed that the port actually uses).

- You should not modify the administrative settings of the underlying physical ports in an interface group.

The `-up-admin` parameter (available at the advanced privilege level) modifies the administrative settings of the port.

- The `-up-admin` administrative setting should not be set to false for all ports on a node, or for the port that hosts the last operational cluster LIF on a node.
- You should not modify the MTU size of the management port, e0M.
- The MTU size of a port in a broadcast domain cannot be changed from the MTU value that is set for the broadcast domain.
- The MTU size of a VLAN cannot exceed the value of the MTU size of its base port.

Steps

1. Modify the attributes of a network port:

```
network port modify
```

2. You can set the `-ignore-health-status` field to true for specifying that the system can ignore the network port health status of a specified port. The network port health status is automatically changed from degraded to healthy, and this port can now be used for hosting LIFs. You should set the flow control of cluster ports to none. By default, the flow control is set to full.

The following command disables the flow control on port e0b by setting the flow control to none:

```
network port modify -node cluster-1-01 -port e0b -flowcontrol-admin none
```

Modify MTU setting for interface group ports

To modify the MTU setting for interface groups, you must modify the MTU of the broadcast domain.

Steps

1. Modify the broadcast domain settings: `broadcast-domain modify -broadcast-domain broadcast_domain_name -mtu mtu_setting`

The following warning message is displayed:

```
Warning: Changing broadcast domain settings will cause a momentary data-  
serving interruption.  
Do you want to continue? {y|n}: y
```

2. Enter y to continue.
3. Verify that the MTU setting were modified correctly: `net port show`

```
net port show  
(network port show)  
Node: vsim-01
```

Port	IPspace	Broadcast Domain	Link	MTU	Speed (Mbps) Admin/Oper	Health Status	Ignore Health Status
a0a	Default	Default-1	up	1300	auto/1000	healthy	false
e0a	Default	Default-1	up	1300	auto/1000	healthy	false
e0b	Default	Default	up	1500	auto/1000	healthy	false
e0c	Default	Default	up	1500	auto/1000	healthy	false
e0d	Default	Default	up	1500	auto/1000	healthy	false

5 entries were displayed.

Monitor the health of network ports

ONTAP management of network ports includes automatic health monitoring and a set of health monitors to help you identify network ports that might not be suitable for hosting LIFs.

About this task

If a health monitor determines that a network port is unhealthy, it warns administrators through an EMS message or marks the port as degraded. ONTAP avoids hosting LIFs on degraded network ports if there are healthy alternative failover targets for that LIF. A port can become degraded because of a soft failure event, such as link flapping (links bouncing quickly between up and down) or network partitioning:

- Network ports in the cluster IPspace are marked as degraded when they experience link flapping or loss of layer 2 (L2) reachability to other network ports in the broadcast domain.
- Network ports in non-cluster IPspaces are marked as degraded when they experience link flapping.

You must be aware of the following behaviors of a degraded port:

- A degraded port cannot be included in a VLAN or an interface group.

If a member port of an interface group is marked as degraded, but the interface group is still marked as healthy, LIFs can be hosted on that interface group.

- LIFs are automatically migrated from degraded ports to healthy ports.
- During a failover event, a degraded port is not considered as the failover target. If no healthy ports are available, degraded ports host LIFs according to the normal failover policy.
- You cannot create, migrate, or revert a LIF to a degraded port.

You can modify the ignore-health-status setting of the network port to true. You can then host a LIF on the healthy ports.

Steps

1. Log in to the advanced privilege mode:

```
set -privilege advanced
```

2. Check which health monitors are enabled for monitoring network port health:

```
network options port-health-monitor show
```

The health status of a port is determined by the value of health monitors.

The following health monitors are available and enabled by default in ONTAP:

- Link-flapping health monitor: Monitors link flapping

If a port has link flapping more than once in five minutes, this port is marked as degraded.

- L2 reachability health monitor: Monitors whether all ports configured in the same broadcast domain have L2 reachability to each other

This health monitor reports L2 reachability issues in all IPspaces; however, it marks only the ports in the cluster IPspace as degraded.

- CRC monitor: Monitors the CRC statistics on the ports

This health monitor does not mark a port as degraded but generates an EMS message when a very high CRC failure rate is observed.

3. Enable or disable any of the health monitors for an IPspace as desired by using the network options port-health-monitor modify command.
4. View the detailed health of a port:

```
network port show -health
```

The command output displays the health status of the port, ignore health status setting, and list of reasons the port is marked as degraded. A port health status can be healthy or degraded. If the ignore health status setting is true, it indicates that the port health status has been modified from degraded to healthy by the administrator. If the ignore health status setting is false, the port health status is determined automatically by the system.

Monitor the reachability of network ports

Reachability monitoring is built into ONTAP. Use this monitoring to identify when the physical network topology does not match the ONTAP configuration. In some cases, ONTAP can repair port reachability. In other cases, additional steps are required.

About this task

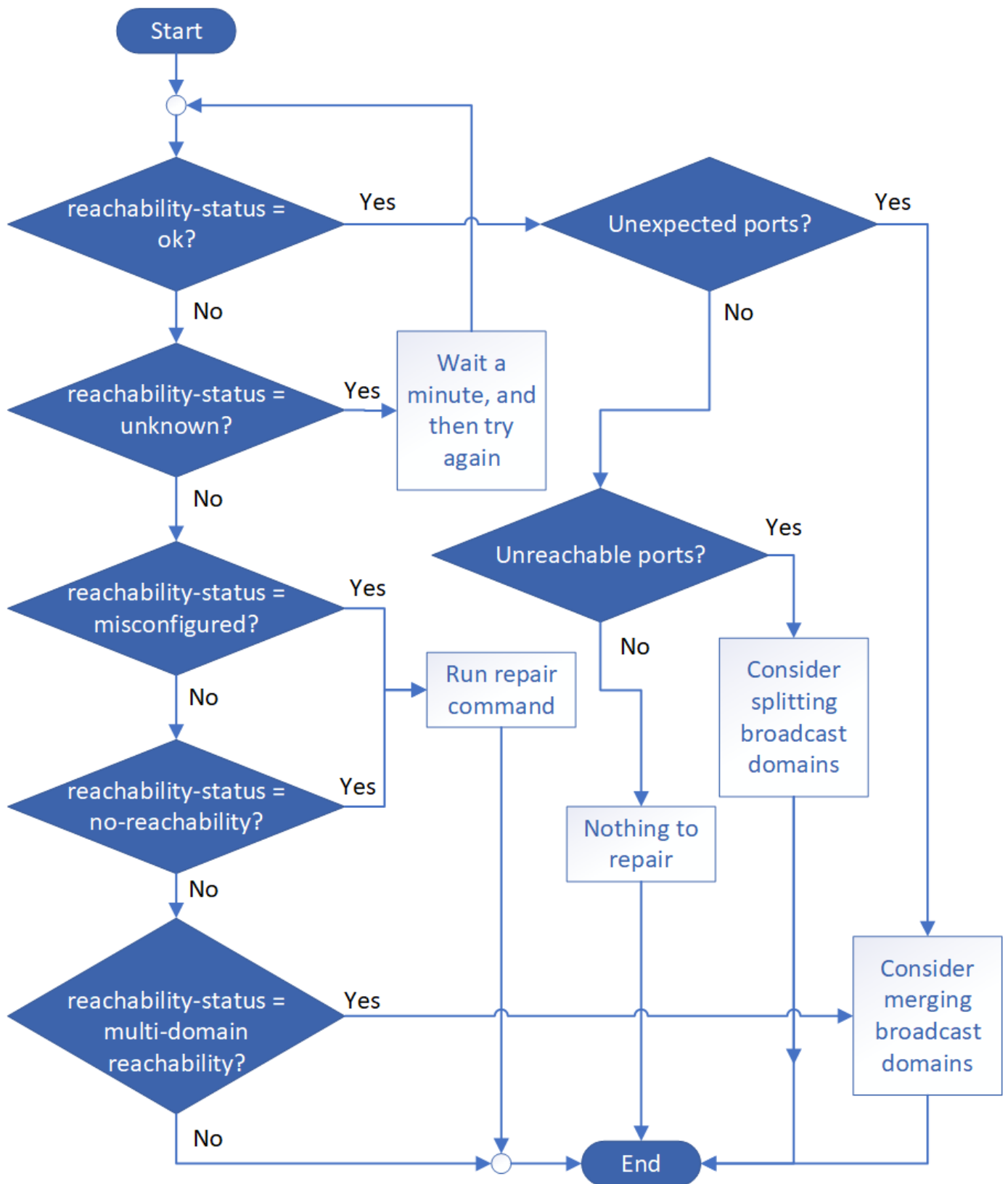
Use these commands to verify, diagnose, and repair network misconfigurations that stem from the ONTAP configuration not matching either the physical cabling or the network switch configuration.

Step

1. View port reachability:

```
network port reachability show
```

2. Use the following decision tree and table to determine the next step, if any.



Reachability-status	Description
ok	<p>The port has layer 2 reachability to its assigned broadcast domain. If the reachability-status is "ok", but there are "unexpected ports", consider merging one or more broadcast domains. For more information, see the following <i>Unexpected ports</i> row.</p> <p>If the reachability-status is "ok", but there are "unreachable ports", consider splitting one or more broadcast domains. For more information, see the following <i>Unreachable ports</i> row.</p> <p>If the reachability-status is "ok", and there are no unexpected or unreachable ports, your configuration is correct.</p>
Unexpected ports	<p>The port has layer 2 reachability to its assigned broadcast domain; however, it also has layer 2 reachability to at least one other broadcast domain.</p> <p>Examine the physical connectivity and switch configuration to determine if it is incorrect or if the port's assigned broadcast domain needs to be merged with one or more broadcast domains.</p> <p>For more information, see Merge broadcast domains.</p>
Unreachable ports	<p>If a single broadcast domain has become partitioned into two different reachability sets, you can split a broadcast domain to synchronize the ONTAP configuration with the physical network topology.</p> <p>Typically, the list of unreachable ports defines the set of ports that should be split into another broadcast domain after you have verified that the physical and switch configuration is accurate.</p> <p>For more information, see Split broadcast domains.</p>
misconfigured-reachability	<p>The port does not have layer 2 reachability to its assigned broadcast domain; however, the port does have layer 2 reachability to a different broadcast domain.</p> <p>You can repair the port reachability. When you run the following command, the system will assign the port to the broadcast domain to which it has reachability:</p> <pre>network port reachability repair -node -port</pre> <p>For more information, see Repair port reachability.</p>
no-reachability	<p>The port does not have layer 2 reachability to any existing broadcast domain.</p> <p>You can repair the port reachability. When you run the following command, the system will assign the port to a new automatically created broadcast domain in the Default IPspace:</p> <pre>network port reachability repair -node -port</pre> <p>For more information, see Repair reachability.</p>

Reachability-status	Description
multi-domain-reachability	<p>The port has layer 2 reachability to its assigned broadcast domain; however, it also has layer 2 reachability to at least one other broadcast domain.</p> <p>Examine the physical connectivity and switch configuration to determine if it is incorrect or if the port's assigned broadcast domain needs to be merged with one or more broadcast domains.</p> <p>For more information, see Merge broadcast domains or Repair port reachability.</p>
unknown	<p>If the reachability-status is "unknown", then wait a few minutes and try the command again.</p>

After you repair a port, you need to check for and resolve displaced LIFs and VLANs. If the port was part of an interface group, you also need to understand what happened to that interface group. For more information, see [Repair port reachability](#).

Convert 40GbE NIC ports into multiple 10GbE ports for 10GbE connectivity

You can convert the X1144A-R6 and the X91440A-R6 40GbE Network Interface Cards (NICs) to support four 10GbE ports.

If you are connecting a hardware platform that supports one of these NICs to a cluster that supports 10GbE cluster interconnect and customer data connections, the NIC must be converted to provide the necessary 10GbE connections.

Before you begin

You must be using a supported breakout cable.

About this task

For a complete list of platforms that support NICs, see the [Hardware Universe](#).



On the X1144A-R6 NIC, only port A can be converted to support the four 10GbE connections. Once port A is converted, port e is not available for use.

Steps

1. Enter maintenance mode.
2. Convert the NIC from 40GbE support to 10GbE support.

```
nicadmin convert -m [40G | 10G] [port-name]
```

3. After using the convert command, halt the node.
4. Install or change the cable.
5. Depending on the hardware model, use the SP (Service Processor) or BMC (Baseboard Management

Controller) to power-cycle the node for the conversion to take effect.

Removing a NIC from the node

You might have to remove a faulty NIC from its slot or move the NIC to another slot for maintenance purposes.

Steps

1. Power down the node.
2. Physically remove the NIC from its slot.
3. Power on the node.
4. Verify that the port has been deleted:

```
network port show
```



ONTAP automatically removes the port from any interface groups. If the port was the only member of an interface group, the interface group is deleted.

5. If the port had any VLANs configured on it, they are displaced. You can view displaced VLANs using the following command:

```
cluster controller-replacement network displaced-vlans show
```



The `displaced-interface show`, `displaced-vlans show`, and `displaced-vlans restore` commands are unique and do not require the fully qualified command name, which starts with `cluster controller-replacement network`.

6. These VLANs are deleted, but can be restored using the following command:

```
displaced-vlans restore
```

7. If the port had any LIFs configured on it, ONTAP automatically chooses new home ports for those LIFs on another port in the same broadcast domain. If no suitable home port is found on the same filer, those LIFs are considered displaced. You can view displaced LIFs using the following command:

```
displaced-interface show
```

8. When a new port is added to the broadcast domain on the same node, the home ports for the LIFs are automatically restored. Alternatively, you can either set the home port using `network interface modify -home-port -home-node` or use the `displaced-interface restore` command.

Copyright Information

Copyright © 2021 NetApp, Inc. All rights reserved. Printed in the U.S. No part of this document covered by copyright may be reproduced in any form or by any means-graphic, electronic, or mechanical, including photocopying, recording, taping, or storage in an electronic retrieval system-without prior written permission of the copyright owner.

Software derived from copyrighted NetApp material is subject to the following license and disclaimer:

THIS SOFTWARE IS PROVIDED BY NETAPP "AS IS" AND WITHOUT ANY EXPRESS OR IMPLIED WARRANTIES, INCLUDING, BUT NOT LIMITED TO, THE IMPLIED WARRANTIES OF MERCHANTABILITY AND FITNESS FOR A PARTICULAR PURPOSE, WHICH ARE HEREBY DISCLAIMED. IN NO EVENT SHALL NETAPP BE LIABLE FOR ANY DIRECT, INDIRECT, INCIDENTAL, SPECIAL, EXEMPLARY, OR CONSEQUENTIAL DAMAGES (INCLUDING, BUT NOT LIMITED TO, PROCUREMENT OF SUBSTITUTE GOODS OR SERVICES; LOSS OF USE, DATA, OR PROFITS; OR BUSINESS INTERRUPTION) HOWEVER CAUSED AND ON ANY THEORY OF LIABILITY, WHETHER IN CONTRACT, STRICT LIABILITY, OR TORT (INCLUDING NEGLIGENCE OR OTHERWISE) ARISING IN ANY WAY OUT OF THE USE OF THIS SOFTWARE, EVEN IF ADVISED OF THE POSSIBILITY OF SUCH DAMAGE.

NetApp reserves the right to change any products described herein at any time, and without notice. NetApp assumes no responsibility or liability arising from the use of products described herein, except as expressly agreed to in writing by NetApp. The use or purchase of this product does not convey a license under any patent rights, trademark rights, or any other intellectual property rights of NetApp.

The product described in this manual may be protected by one or more U.S. patents, foreign patents, or pending applications.

RESTRICTED RIGHTS LEGEND: Use, duplication, or disclosure by the government is subject to restrictions as set forth in subparagraph (c)(1)(ii) of the Rights in Technical Data and Computer Software clause at DFARS 252.277-7103 (October 1988) and FAR 52-227-19 (June 1987).

Trademark Information

NETAPP, the NETAPP logo, and the marks listed at <http://www.netapp.com/TM> are trademarks of NetApp, Inc. Other company and product names may be trademarks of their respective owners.