



Get started

StorageGRID 11.8

NetApp
March 19, 2024

Table of Contents

- Get started with a StorageGRID system 1
 - Learn about StorageGRID 1
 - Networking guidelines 39
 - Quick start for StorageGRID 67

Get started with a StorageGRID system

Learn about StorageGRID

What is StorageGRID?

NetApp® StorageGRID® is a software-defined object storage suite that supports a wide range of use cases across public, private, and hybrid multicloud environments. StorageGRID offers native support for the Amazon S3 API and delivers industry-leading innovations such as automated lifecycle management to store, secure, protect, and preserve unstructured data cost effectively over long periods.

StorageGRID provides secure, durable storage for unstructured data at scale. Integrated, metadata-driven lifecycle management policies optimize where your data lives throughout its life. Content is placed in the right location, at the right time, and on the right storage tier to reduce cost.

StorageGRID is composed of geographically distributed, redundant, heterogeneous nodes, which can be integrated with both existing and next-generation client applications.



Support for Archive Nodes is deprecated and will be removed in a future release. Moving objects from an Archive Node to an external archival storage system through the S3 API has been replaced by ILM Cloud Storage Pools, which offer more functionality.

StorageGRID benefits

Advantages of the StorageGRID system include the following:

- Massively scalable and easy-to-use a geographically distributed data repository for unstructured data.
- Standard object storage protocols:
 - Amazon Web Services Simple Storage Service (S3)
 - OpenStack Swift



Support for Swift client applications has been deprecated and will be removed in a future release.

- Hybrid cloud enabled. Policy-based information lifecycle management (ILM) stores objects to public clouds, including Amazon Web Services (AWS) and Microsoft Azure. StorageGRID platform services enable content replication, event notification, and metadata searching of objects stored to public clouds.
- Flexible data protection to ensure durability and availability. Data can be protected using replication and layered erasure coding. At-rest and in-flight data verification ensures integrity for long-term retention.
- Dynamic data lifecycle management to help manage storage costs. You can create ILM rules that manage data lifecycle at the object level, customizing data locality, durability, performance, cost, and retention time.
- High availability of data storage and some management functions, with integrated load balancing to optimize the data load across StorageGRID resources.
- Support for multiple storage tenant accounts to segregate the objects stored on your system by different entities.
- Numerous tools for monitoring the health of your StorageGRID system, including a comprehensive alert system, a graphical dashboard, and detailed statuses for all nodes and sites.
- Support for software or hardware-based deployment. You can deploy StorageGRID on any of the following:
 - Virtual machines running in VMware.
 - Container engines on Linux hosts.
 - StorageGRID engineered appliances.
 - Storage appliances provide object storage.
 - Services appliances provide grid administration and load balancing services.
- Compliant with the relevant storage requirements of these regulations:
 - Securities and Exchange Commission (SEC) in 17 CFR § 240.17a-4(f), which regulates exchange members, brokers or dealers.
 - Financial Industry Regulatory Authority (FINRA) Rule 4511(c), which defers to the format and media requirements of SEC Rule 17a-4(f).
 - Commodity Futures Trading Commission (CFTC) in regulation 17 CFR § 1.31(c)-(d), which regulates commodity futures trading.
- Non-disruptive upgrade and maintenance operations. Maintain access to content during upgrade, expansion, decommission, and maintenance procedures.
- Federated identity management. Integrates with Active Directory, OpenLDAP, or Oracle Directory Service for user authentication. Supports single sign-on (SSO) using the Security Assertion Markup Language 2.0 (SAML 2.0) standard to exchange authentication and authorization data between StorageGRID and Active Directory Federation Services (AD FS).

Hybrid clouds with StorageGRID

Use StorageGRID in a hybrid cloud configuration by implementing policy-driven data management to store objects in Cloud Storage Pools, leveraging StorageGRID platform services, and tiering data from ONTAP to StorageGRID with NetApp FabricPool.

Cloud Storage Pools

Cloud Storage Pools allow you to store objects outside of the StorageGRID system. For example, you might want to move infrequently accessed objects to lower-cost cloud storage, such as Amazon S3 Glacier, S3 Glacier Deep Archive, Google Cloud, or the Archive access tier in Microsoft Azure Blob storage. Or, you might want to maintain a cloud backup of StorageGRID objects, which can be used to recover data lost because of a storage volume or Storage Node failure.

Third-party partner storage is also supported, including disk and tape storage.



Using Cloud Storage Pools with FabricPool is not supported because of the added latency to retrieve an object from the Cloud Storage Pool target.

S3 platform services

S3 platform services give you the ability to use remote services as endpoints for object replication, event notifications, or search integration. Platform services operate independently of the grid's ILM rules, and are enabled for individual S3 buckets. The following services are supported:

- The CloudMirror replication service automatically mirrors specified objects to a target S3 bucket, which can be on Amazon S3 or a second StorageGRID system.
- The Event notification service sends messages about specified actions to an external endpoint that supports receiving Simple Notification Service (Amazon SNS) events.
- The search integration service sends object metadata to an external Elasticsearch service, allowing metadata to be searched, visualized, and analyzed using third party tools.

For example, you might use CloudMirror replication to mirror specific customer records into Amazon S3 and then leverage AWS services to perform analytics on your data.

ONTAP data tiering using FabricPool

You can reduce the cost of ONTAP storage by tiering data to StorageGRID using FabricPool. FabricPool enables automated tiering of data to low-cost object storage tiers, either on or off premises.

Unlike manual tiering solutions, FabricPool reduces total cost of ownership by automating the tiering of data to lower the cost of storage. It delivers the benefits of cloud economics by tiering to public and private clouds including StorageGRID.

Related information

- [What is Cloud Storage Pool?](#)
- [Manage platform services](#)
- [Configure StorageGRID for FabricPool](#)

StorageGRID architecture and network topology

A StorageGRID system consists of multiple types of grid nodes at one or more data center sites.

See the [descriptions of grid node types](#).

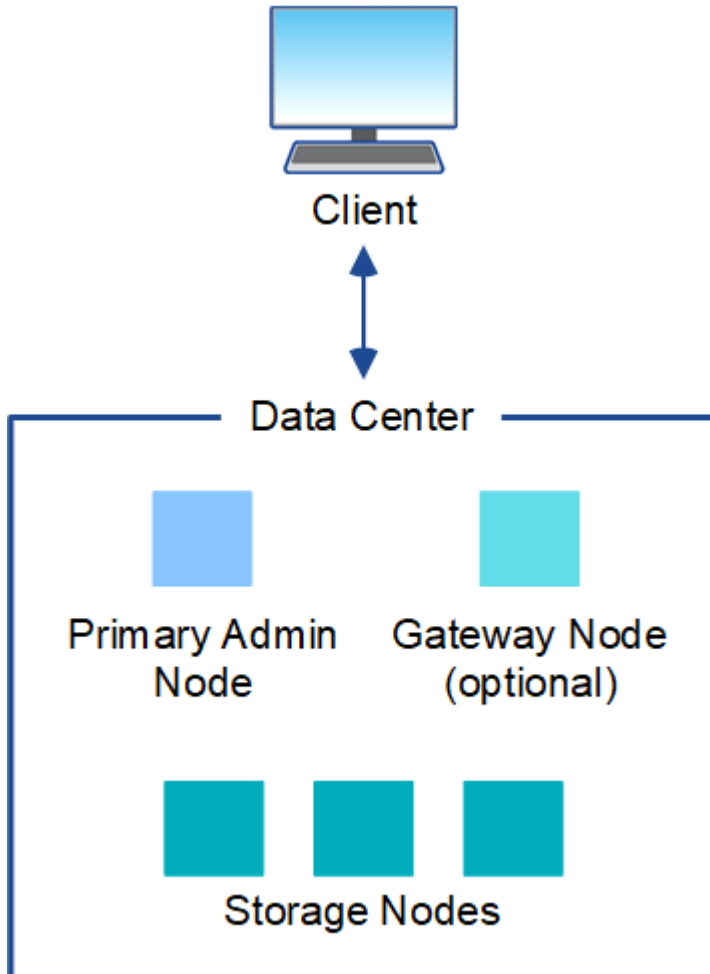
For additional information about StorageGRID network topology, requirements, and grid communications, see the [Networking guidelines](#).

Deployment topologies

The StorageGRID system can be deployed to a single data center site or to multiple data center sites.

Single site

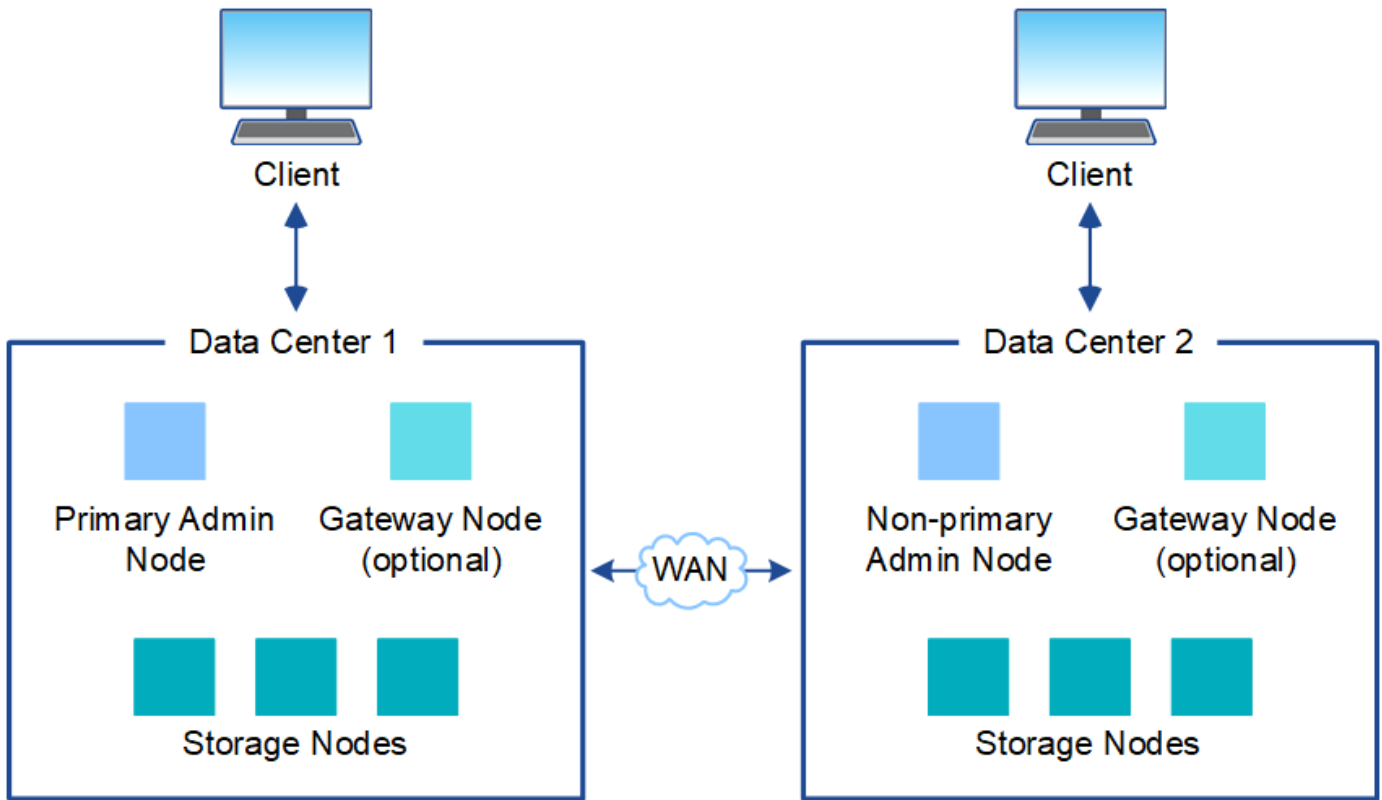
In a deployment with a single site, the infrastructure and operations of the StorageGRID system are centralized.



Multiple sites

In a deployment with multiple sites, different types and numbers of StorageGRID resources can be installed at each site. For example, more storage might be required at one data center than at another.

Different sites are often located in geographically different locations across different failure domains, such as an earthquake fault line or flood plain. Data sharing and disaster recovery are achieved by automated distribution of data to other sites.



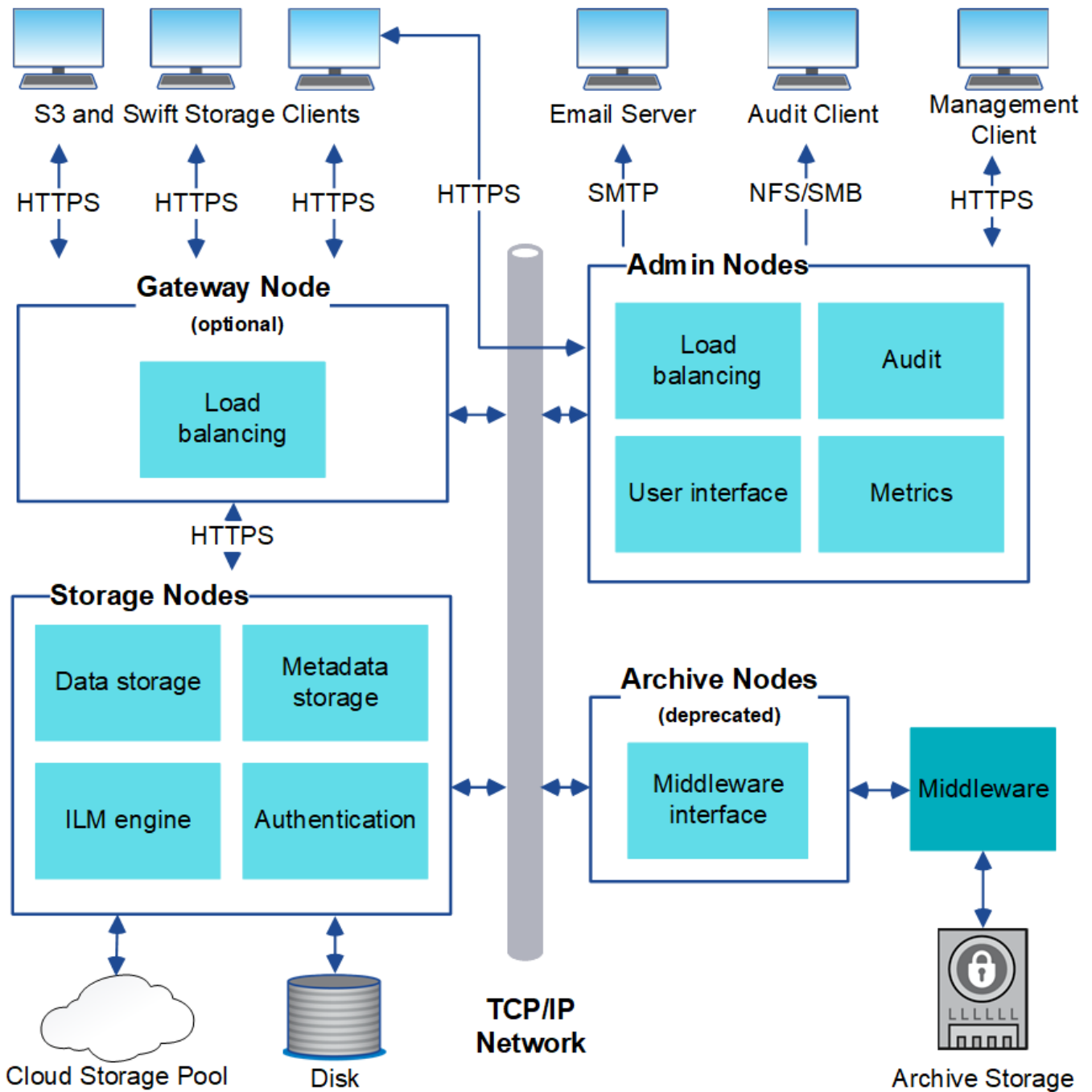
Multiple logical sites can also exist within a single data center to allow the use of distributed replication and erasure coding for increase availability and resiliency.

Grid node redundancy

In a single-site or multi-site deployment, you can optionally include more than one Admin Node or Gateway Node for redundancy. For example, you can install more than one Admin Node at a single site or across several sites. However, each StorageGRID system can only have one primary Admin Node.

System architecture

This diagram shows how grid nodes are arranged within a StorageGRID system.



S3 and Swift clients store and retrieve objects in StorageGRID. Other clients are used to send email notifications, to access the StorageGRID management interface, and optionally to access the audit share.

S3 and Swift clients can connect to a Gateway Node or an Admin Node to use the load-balancing interface to Storage Nodes. Alternatively, S3 and Swift clients can connect directly to Storage Nodes using HTTPS.

Objects can be stored within StorageGRID on software or hardware-based Storage Nodes, or in Cloud Storage Pools, which consist of external S3 buckets or Azure Blob storage containers.

Grid nodes and services

Grid nodes and services: Overview

The basic building block of a StorageGRID system is the grid node. Nodes contain services, which are software modules that provide a set of capabilities to a grid node.

Types of grid nodes

The StorageGRID system uses four types of grid nodes:

Admin Nodes

Provide management services such as system configuration, monitoring, and logging. When you sign in to the Grid Manager, you are connecting to an Admin Node. Each grid must have one primary Admin Node and might have additional non-primary Admin Nodes for redundancy. You can connect to any Admin Node, and each Admin Node displays a similar view of the StorageGRID system. However, maintenance procedures must be performed using the primary Admin Node.

Admin Nodes can also be used to load balance S3 and Swift client traffic.

See [What is an Admin Node?](#)

Storage Nodes

Manage and store object data and metadata. Each site in your StorageGRID system must have at least three Storage Nodes.

See [What is a Storage Node?](#)

Gateway Nodes (optional)

Provide a load-balancing interface that client applications can use to connect to StorageGRID. A load balancer seamlessly directs clients to an optimal Storage Node, so that the failure of nodes or even an entire site is transparent.

See [What is a Gateway Node?](#)

Archive Nodes (deprecated)

Provide an optional interface through which object data can be archived to tape.

See [What is an Archive Node?](#)

Hardware and software nodes

StorageGRID nodes can be deployed as StorageGRID appliance nodes or as software-based nodes.

StorageGRID appliance nodes

StorageGRID hardware appliances are specially designed for use in a StorageGRID system. Some appliances can be used as Storage Nodes. Other appliances can be used as Admin Nodes or Gateway Nodes. You can combine appliance nodes with software-based nodes or deploy fully engineered, all-appliance grids that have no dependencies on external hypervisors, storage, or compute hardware.

See the following to learn about the available appliances:

- [StorageGRID Appliance Documentation](#)
- [NetApp Hardware Universe](#)

Software-based nodes

Software-based grid nodes can be deployed as VMware virtual machines or within container engines on a Linux host.

- Virtual machine (VM) in VMware vSphere: See [Install StorageGRID on VMware](#).
- Within a container engine on Red Hat Enterprise Linux: See [Install StorageGRID on Red Hat Enterprise Linux](#).
- Within a container engine on Ubuntu or Debian: See [Install StorageGRID on Ubuntu or Debian](#).

Use the [NetApp Interoperability Matrix Tool \(IMT\)](#) to determine the supported versions.

During initial installation of a new software-based Storage Node you can specify that it only be used to [store metadata](#).

StorageGRID services

The following is a complete list of StorageGRID services.

Service	Description	Location
Account Service Forwarder	Provides an interface for the Load Balancer service to query the Account Service on remote hosts and provides notifications of Load Balancer Endpoint configuration changes to the Load Balancer service.	Load Balancer service on Admin Nodes and Gateway Nodes
ADC (Administrative Domain Controller)	Maintains topology information, provides authentication services, and responds to queries from the LDR and CMN services.	At least three Storage Nodes containing the ADC service at each site
AMS (Audit Management System)	Monitors and logs all audited system events and transactions to a text log file.	Admin Nodes
ARC (Archive)	Provides the management interface with which you configure connections to external archival storage, such as the cloud through an S3 interface or tape through TSM middleware.	Archive Nodes
Cassandra Reaper	Performs automatic repairs of object metadata.	Storage Nodes
Chunk service	Manages erasure-coded data and parity fragments.	Storage Nodes
CMN (Configuration Management Node)	Manages system-wide configurations and grid tasks. Each grid has one CMN service.	Primary Admin Node
DDS (Distributed Data Store)	Interfaces with the Cassandra database to manage object metadata.	Storage Nodes

Service	Description	Location
DMV (Data Mover)	Moves data to cloud endpoints.	Storage Nodes
Dynamic IP (dynip)	Monitors the grid for dynamic IP changes and updates local configurations.	All nodes
Grafana	Used for metrics visualization in the Grid Manager.	Admin Nodes
High Availability	Manages high availability virtual IPs on nodes configured on the High Availability Groups page. This service is also known as the keepalived service.	Admin and Gateway Nodes
Identity (idnt)	Federates user identities from LDAP and Active Directory.	Storage Nodes that use the ADC service
Lambda Arbitrator	Manages S3 Select SelectObjectContent requests.	All nodes
Load Balancer (nginx-gw)	Provides load balancing of S3 and Swift traffic from clients to Storage Nodes. The Load Balancer service can be configured through the Load Balancer Endpoints configuration page. This service is also known as the nginx-gw service.	Admin and Gateway Nodes
LDR (Local Distribution Router)	Manages the storage and transfer of content within the grid.	Storage Nodes
MISCd Information Service Control Daemon	Provides an interface for querying and managing services on other nodes and for managing environmental configurations on the node such as querying the state of services running on other nodes.	All nodes
nginx	Acts as an authentication and secure communication mechanism for various grid services (such as Prometheus and Dynamic IP) to be able to talk to services on other nodes over HTTPS APIs.	All nodes
nginx-gw	Powers the Load Balancer service.	Admin and Gateway Nodes
NMS (Network Management System)	Powers the monitoring, reporting, and configuration options that are displayed through the Grid Manager.	Admin Nodes

Service	Description	Location
Persistence	Manages files on the root disk that need to persist across a reboot.	All nodes
Prometheus	Collects time series metrics from services on all nodes.	Admin Nodes
RSM (Replicated State Machine)	Ensures platform service requests are sent to their respective endpoints.	Storage Nodes that use the ADC service
SSM (Server Status Monitor)	Monitors hardware conditions and reports to the NMS service.	An instance is present on every grid node
Trace collector	Performs trace collection to gather information for use by technical support. The trace collector service uses open source Jaeger software.	Admin Nodes

What is an Admin Node?

Admin Nodes provide management services such as system configuration, monitoring, and logging. Admin Nodes can also be used to load balance S3 and Swift client traffic. Each grid must have one primary Admin Node and might have any number of non-primary Admin Nodes for redundancy.

Differences between primary and non-primary Admin Nodes

When you sign in to the Grid Manager or the Tenant Manager, you are connecting to an Admin Node. You can connect to any Admin Node, and each Admin Node displays a similar view of the StorageGRID system. However, the primary Admin Node provides more functionality than non-primary Admin Nodes. For example, most maintenance procedures must be performed from the primary Admin Nodes.

The table summarizes the capabilities of primary and non-primary Admin Nodes.

Capabilities	Primary Admin Node	Non-primary Admin Node
Includes the AMS service	Yes	Yes
Includes the CMN service	Yes	No
Includes the NMS service	Yes	Yes
Includes the Prometheus service	Yes	Yes
Includes the SSM service	Yes	Yes

Capabilities	Primary Admin Node	Non-primary Admin Node
Includes the Load Balancer and High Availability services	Yes	Yes
Supports the Management Application Program Interface (mgmt-api)	Yes	Yes
Can be used for all network-related maintenance tasks, for example IP address change and updating NTP servers	Yes	No
Can perform EC rebalance after Storage Node expansion	Yes	No
Can be used for the volume restoration procedure	Yes	Yes
Can collect log files and system data from one or more nodes	Yes	No
Sends alert notifications, AutoSupport packages, and SNMP traps and informs	Yes. Acts as the preferred sender .	Yes. Acts as a standby sender.

Preferred sender Admin Node

If your StorageGRID deployment includes multiple Admin Nodes, the primary Admin Node is the preferred sender for alert notifications, AutoSupport packages, SNMP traps and informs, and legacy alarm notifications.

Under normal system operations, only the preferred sender sends notifications. However, all other Admin Nodes monitor the preferred sender. If a problem is detected, other Admin Nodes act as *standby senders*.

Multiple notifications might sent in these cases:

- If Admin Nodes become "islanded" from each other, both the preferred sender and the standby senders will attempt to send notifications, and multiple copies of notifications might be received.
- If standby sender detects problems with the preferred sender and starts sending notifications, the preferred sender might regain its ability to send notifications. If this occurs, duplicate notifications might be sent. The standby sender will stop sending notifications when it no longer detects errors on the preferred sender.



When you test AutoSupport packages, all Admin Nodes send the test. When you test alert notifications, you must sign in to every Admin Node to verify connectivity.

Primary services for Admin Nodes

The following table shows the primary services for Admin Nodes; however, this table does not list all node services.

Service	Key function
Audit Management System (AMS)	Tracks system activity and events.
Configuration Management Node (CMN)	Manages system-wide configuration.
High Availability	Manages high availability virtual IP addresses for groups of Admin Nodes and Gateway Nodes. Note: This service is also found on Gateway Nodes.
Load Balancer	Provides load balancing of S3 and Swift traffic from clients to Storage Nodes. Note: This service is also found on Gateway Nodes.
Management Application Program Interface (mgmt-api)	Processes requests from the Grid Management API and the Tenant Management API.
Network Management System (NMS)	Provides functionality for the Grid Manager.
Prometheus	Collects and stores time-series metrics from the services on all nodes.
Server Status Monitor (SSM)	Monitors the operating system and underlying hardware.

What is a Storage Node?

Storage Nodes manage and store object data and metadata. Storage Nodes include the services and processes required to store, move, verify, and retrieve object data and metadata on disk.

Each site in your StorageGRID system must have at least three Storage Nodes.

Types of Storage Nodes

All Storage Nodes that were installed before StorageGRID 11.8 store both objects and the metadata for those objects. Starting in StorageGRID 11.8, you can choose the Storage Node type for new software-based storage nodes:

Object and metadata Storage Nodes

By default, all new Storage Nodes installed in StorageGRID 11.8 will store both objects and metadata.

Metadata-only Storage Nodes (software-based nodes only)

You can specify that a new software-based Storage Node be used to store only metadata. You can also add a metadata-only software-based Storage Node to your StorageGRID system during StorageGRID system expansion.



You can only select the Storage Node type when initially installing the software-based node or when you install the software-based node during StorageGRID system expansion. You can't change the type after the node installation is complete.

Installing a metadata-only node is typically not required. However, using a Storage Node exclusively for metadata can make sense if your grid stores a very large number of small objects. Installing dedicated metadata capacity provides a better balance between the space needed for a very large number of small objects and the space needed for the metadata for all those objects.

When installing a grid with software-based metadata-only nodes, the grid must also contain a minimum number of nodes for object storage:

- For a single-site grid, at least two Storage Nodes are configured for objects and metadata.
- For a multi-site grid, at least one Storage Node per site are configured for objects and metadata.

Software-based Storage Nodes display a metadata-only indication for each metadata-only node on all pages that list the Storage Node type.

Primary services for Storage Nodes

The following table shows the primary services for Storage Nodes; however, this table does not list all node services.



Some services, such as the ADC service and the RSM service, typically exist only on three Storage Nodes at each site.

Service	Key function
Account (acct)	Manages tenant accounts.

Service	Key function
Administrative Domain Controller (ADC)	<p>Maintains topology and grid-wide configuration.</p> <p>Details</p> <p>The Administrative Domain Controller (ADC) service authenticates grid nodes and their connections with each other. The ADC service is hosted on a minimum of three Storage Nodes at a site.</p> <p>The ADC service maintains topology information including the location and availability of services. When a grid node requires information from another grid node or an action to be performed by another grid node, it contacts an ADC service to find the best grid node to process its request. In addition, the ADC service retains a copy of the StorageGRID deployment's configuration bundles, allowing any grid node to retrieve current configuration information.</p> <p>To facilitate distributed and islanded operations, each ADC service synchronizes certificates, configuration bundles, and information about services and topology with the other ADC services in the StorageGRID system.</p> <p>In general, all grid nodes maintain a connection to at least one ADC service. This ensures that grid nodes are always accessing the latest information. When grid nodes connect, they cache other grid nodes' certificates, enabling systems to continue functioning with known grid nodes even when an ADC service is unavailable. New grid nodes can only establish connections by using an ADC service.</p> <p>The connection of each grid node lets the ADC service gather topology information. This grid node information includes the CPU load, available disk space (if it has storage), supported services, and the grid node's site ID. Other services ask the ADC service for topology information through topology queries. The ADC service responds to each query with the latest information received from the StorageGRID system.</p>
Cassandra	Stores and protects object metadata.
Cassandra Reaper	Performs automatic repairs of object metadata.
Chunk	Manages erasure-coded data and parity fragments.
Data Mover (dmv)	Moves data to Cloud Storage Pools.

Service	Key function
Distributed Data Store (DDS)	<p data-bbox="472 157 899 191">Monitors object metadata storage.</p> <p data-bbox="472 222 565 256">Details</p> <div data-bbox="479 268 1487 569" style="border: 1px solid #ccc; padding: 10px;"> <p data-bbox="505 300 1458 401">Each Storage Node includes the Distributed Data Store (DDS) service. This service interfaces with the Cassandra database to perform background tasks on the object metadata stored in the StorageGRID system.</p> <p data-bbox="505 432 1458 533">The DDS service tracks the total number of objects ingested into the StorageGRID system as well as the total number of objects ingested through each of the system's supported interfaces (S3 or Swift).</p> </div>
Identity (idnt)	Federates user identities from LDAP and Active Directory.

Service	Key function
Local Distribution Router (LDR)	<p data-bbox="477 155 1435 191">Processes object storage protocol requests and manages object data on disk.</p> <p data-bbox="477 222 565 254">Details</p> <div data-bbox="477 264 1485 1927" style="border: 1px solid #ccc; padding: 10px;"> <p data-bbox="508 300 1429 464">Each Storage Node includes the Local Distribution Router (LDR) service. This service handles content transport functions, including data storage, routing, and request handling. The LDR service does most of the StorageGRID system’s hard work by handling data transfer loads and data traffic functions.</p> <p data-bbox="508 501 1062 533">The LDR service handles the following tasks:</p> <ul data-bbox="532 569 1338 898" style="list-style-type: none"> <li data-bbox="532 569 651 596">• Queries <li data-bbox="532 617 1138 648">• Information lifecycle management (ILM) activity <li data-bbox="532 669 743 697">• Object deletion <li data-bbox="532 718 797 749">• Object data storage <li data-bbox="532 770 1338 802">• Object data transfers from another LDR service (Storage Node) <li data-bbox="532 823 886 854">• Data storage management <li data-bbox="532 875 971 907">• Protocol interfaces (S3 and Swift) <p data-bbox="508 936 1406 968">The LDR service also maps each S3 and Swift object to its unique UUID.</p> <p data-bbox="508 1001 686 1033">Object stores</p> <p data-bbox="545 1045 1419 1142">The underlying data storage of an LDR service is divided into a fixed number of object stores (also known as storage volumes). Each object store is a separate mount point.</p> <p data-bbox="545 1178 1419 1379">The object stores in a Storage Node are identified by a hexadecimal number from 0000 to 002F, which is known as the volume ID. Space is reserved in the first object store (volume 0) for object metadata in a Cassandra database; any remaining space on that volume is used for object data. All other object stores are used exclusively for object data, which includes replicated copies and erasure-coded fragments.</p> <p data-bbox="545 1415 1451 1579">To ensure even space usage for replicated copies, object data for a given object is stored to one object store based on available storage space. When an object store fills to capacity, the remaining object stores continue to store objects until there is no more room on the Storage Node.</p> <p data-bbox="508 1617 773 1648">Metadata protection</p> <p data-bbox="545 1661 1409 1724">StorageGRID stores object metadata in a Cassandra database, which interfaces with the LDR service.</p> <p data-bbox="545 1759 1456 1892">To ensure redundancy and thus protection against loss, three copies of object metadata are maintained at each site. This replication is non-configurable and performed automatically. For details, see Manage object metadata storage.</p> </div>

Service	Key function
Replicated State Machine (RSM)	Ensures that S3 platform services requests are sent to their respective endpoints.
Server Status Monitor (SSM)	Monitors the operating system and underlying hardware.

What is a Gateway Node?

Gateway Nodes provide a dedicated load-balancing interface that S3 and Swift client applications can use to connect to StorageGRID. Load balancing maximizes speed and connection capacity by distributing the workload across multiple Storage Nodes. Gateway Nodes are optional.

The StorageGRID Load Balancer service is provided on all Admin Nodes and all Gateway Nodes. It performs Transport Layer Security (TLS) termination of client requests, inspects the requests, and establishes new secure connections to the Storage Nodes. The Load Balancer service seamlessly directs clients to an optimal Storage Node, so that the failure of nodes or even an entire site is transparent.

You configure one or more load balancer endpoints to define the port and network protocol (HTTPS or HTTP) that incoming and outgoing client requests will use to access the Load Balancer services on Gateway and Admin Nodes. The load balancer endpoint also defines the client type (S3 or Swift), the binding mode, and optionally a list of allowed or blocked tenants. See [Considerations for load balancing](#).

As required, you can group the network interfaces of multiple Gateway Nodes and Admin Nodes into a high availability (HA) group. If the active interface in the HA group fails, a backup interface can manage the client application workload. See [Manage high availability \(HA\) groups](#).

Primary services for Gateway Nodes

The following table shows the primary services for Gateway Nodes; however, this table does not list all node services.

Service	Key function
High Availability	Manages high availability virtual IP addresses for groups of Admin Nodes and Gateway Nodes. Note: This service is also found on Admin Nodes.
Load Balancer	Provides Layer 7 load balancing of S3 and Swift traffic from clients to Storage Nodes. This is the recommended load balancing mechanism. Note: This service is also found on Admin Nodes.
Server Status Monitor (SSM)	Monitors the operating system and underlying hardware.

What is an Archive Node?

Support for Archive Nodes is deprecated and will be removed in a future release.

Support for Archive Nodes is deprecated and will be removed in a future release. Moving objects from an Archive Node to an external archival storage system through the S3 API has been replaced by ILM Cloud Storage Pools, which offer more functionality.



The Cloud Tiering - Simple Storage Service (S3) option is also deprecated. If you are currently using an Archive Node with this option, [migrate your objects to a Cloud Storage Pool](#) instead.

Additionally, you should remove Archive Nodes from the active ILM policies in StorageGRID 11.7 or earlier. Removing object data stored on Archive Nodes will simplify future upgrades. See [Working with ILM rules and ILM policies](#).

Primary services for Archive Nodes

The following table shows the primary services for Archive Nodes; however, this table does not list all node services.

Service	Key function
Archive (ARC)	Communicates with a Tivoli Storage Manager (TSM) external tape storage system.
Server Status Monitor (SSM)	Monitors the operating system and underlying hardware.

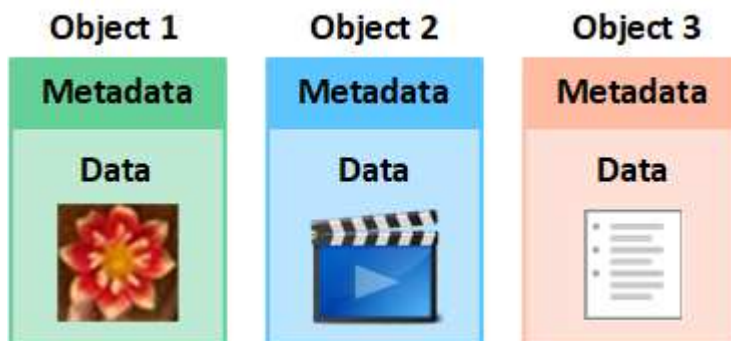
How StorageGRID manages data

What is an object

With object storage, the unit of storage is an object, rather than a file or a block. Unlike the tree-like hierarchy of a file system or block storage, object storage organizes data in a flat, unstructured layout.

Object storage decouples the physical location of the data from the method used to store and retrieve that data.

Each object in an object-based storage system has two parts: object data and object metadata.



What is object data?

Object data might be anything; for example, a photograph, a movie, or a medical record.

What is object metadata?

Object metadata is any information that describes an object. StorageGRID uses object metadata to track the locations of all objects across the grid and to manage each object's lifecycle over time.

Object metadata includes information such as the following:

- System metadata, including a unique ID for each object (UUID), the object name, the name of the S3 bucket or Swift container, the tenant account name or ID, the logical size of the object, the date and time the object was first created, and the date and time the object was last modified.
- The current storage location of each object copy or erasure-coded fragment.
- Any user metadata associated with the object.

Object metadata is customizable and expandable, making it flexible for applications to use.

For detailed information about how and where StorageGRID stores object metadata, go to [Manage object metadata storage](#).

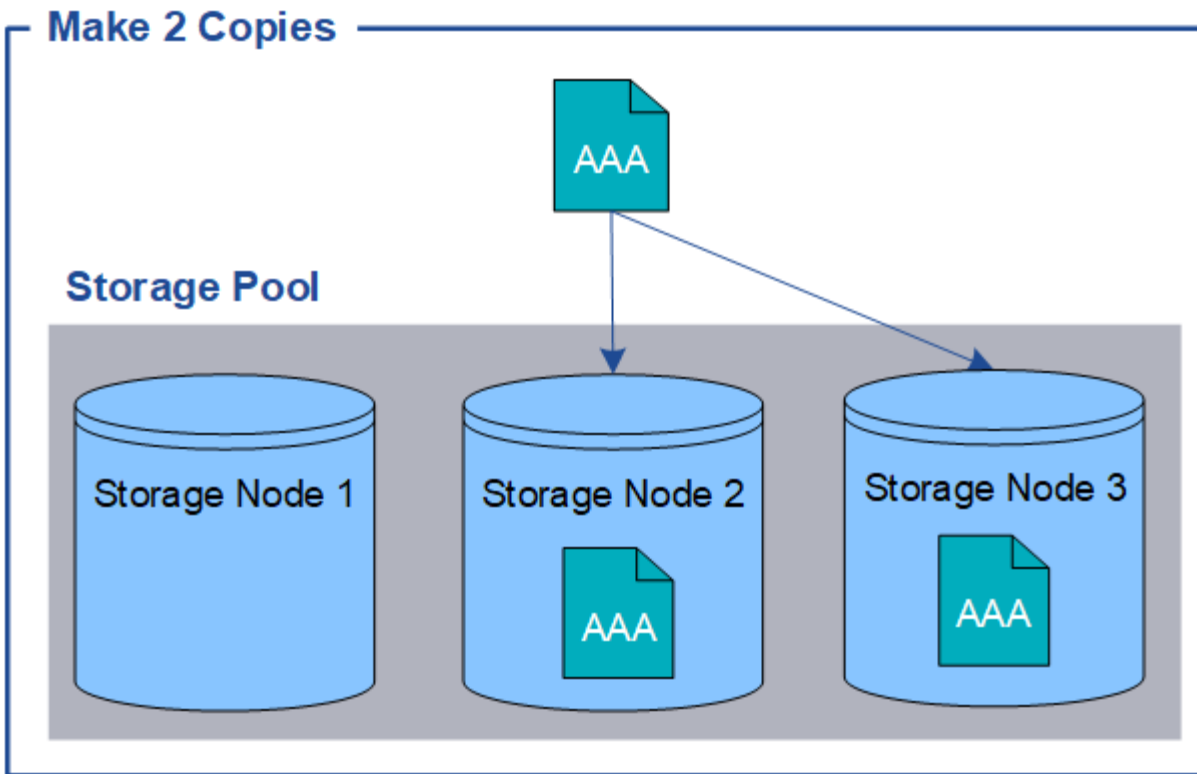
How is object data protected?

The StorageGRID system provides you with two mechanisms to protect object data from loss: replication and erasure coding.

Replication

When StorageGRID matches objects to an information lifecycle management (ILM) rule that is configured to create replicated copies, the system creates exact copies of object data and stores them on Storage Nodes, Archive Nodes, or Cloud Storage Pools. ILM rules dictate the number of copies made, where those copies are stored, and for how long they are retained by the system. If a copy is lost, for example, as a result of the loss of a Storage Node, the object is still available if a copy of it exists elsewhere in the StorageGRID system.

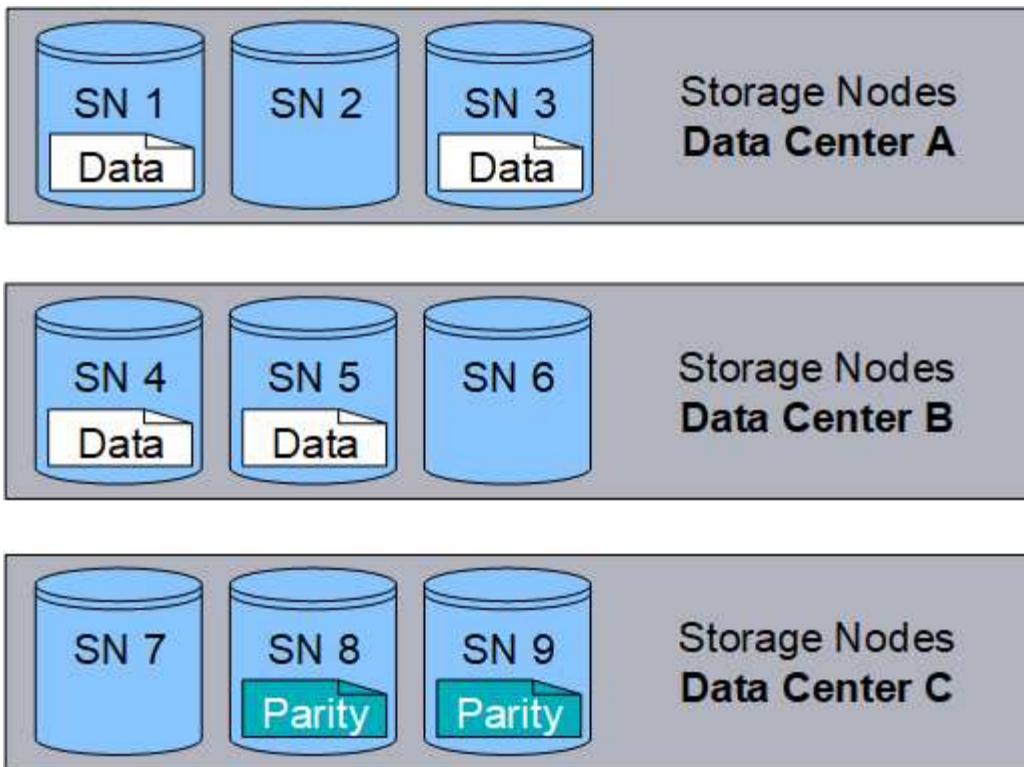
In the following example, the Make 2 Copies rule specifies that two replicated copies of each object be placed in a storage pool that contains three Storage Nodes.



Erasure coding

When StorageGRID matches objects to an ILM rule that is configured to create erasure-coded copies, it slices object data into data fragments, computes additional parity fragments, and stores each fragment on a different Storage Node. When an object is accessed, it is reassembled using the stored fragments. If a data or a parity fragment becomes corrupt or lost, the erasure coding algorithm can recreate that fragment using a subset of the remaining data and parity fragments. ILM rules and erasure-coding profiles determine the erasure-coding scheme used.

The following example illustrates the use of erasure coding on an object's data. In this example, the ILM rule uses a 4+2 erasure-coding scheme. Each object is sliced into four equal data fragments, and two parity fragments are computed from the object data. Each of the six fragments is stored on a different Storage Node across three data centers to provide data protection for node failures or site loss.



Related information

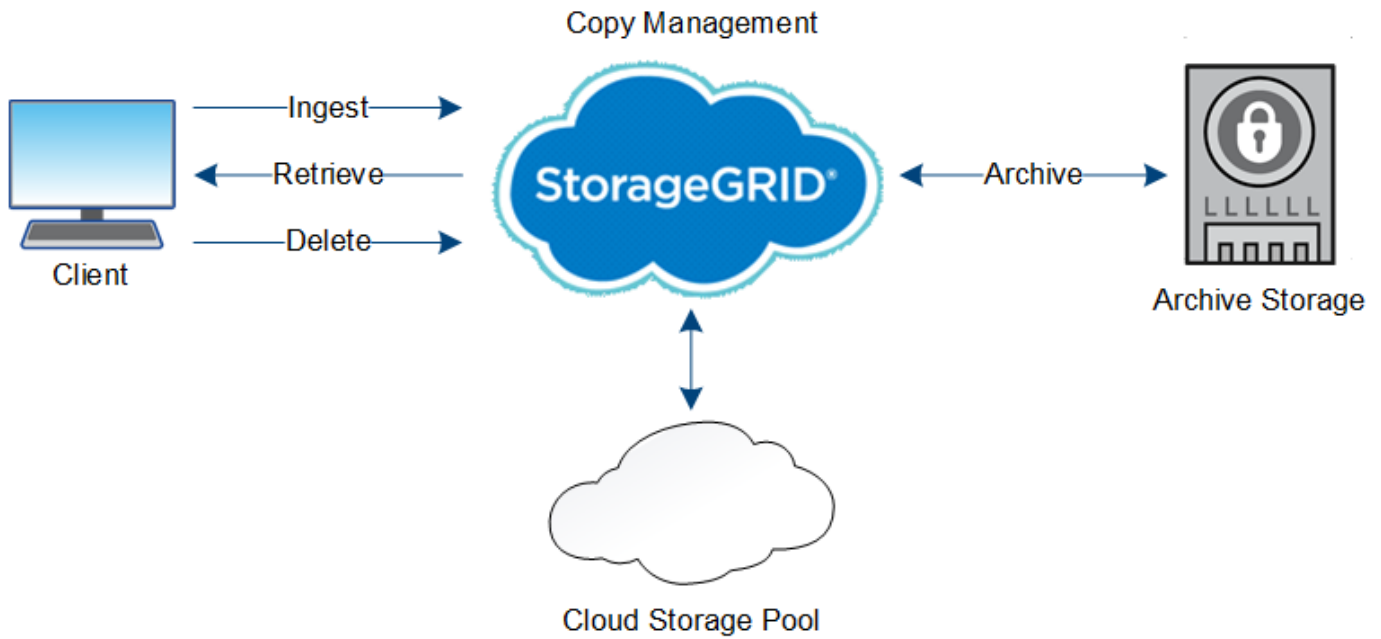
- [Manage objects with ILM](#)
- [Use information lifecycle management](#)

The life of an object

An object's life consists of various stages. Each stage represents the operations that occur with the object.

The life of an object includes the operations of ingest, copy management, retrieve, and delete.

- **Ingest:** The process of an S3 or Swift client application saving an object over HTTP to the StorageGRID system. At this stage, the StorageGRID system begins to manage the object.
- **Copy management:** The process of managing replicated and erasure-coded copies in StorageGRID, as described by the ILM rules in the active ILM policies. During the copy management stage, StorageGRID protects object data from loss by creating and maintaining the specified number and type of object copies on Storage Nodes, in a Cloud Storage Pool, or on Archive Node.
- **Retrieve:** The process of a client application accessing an object stored by the StorageGRID system. The client reads the object, which is retrieved from a Storage Node, Cloud Storage Pool, or Archive Node.
- **Delete:** The process of removing all object copies from the grid. Objects can be deleted either as a result of the client application sending a delete request to the StorageGRID system, or as a result of an automatic process that StorageGRID performs when the object's lifetime expires.



Related information

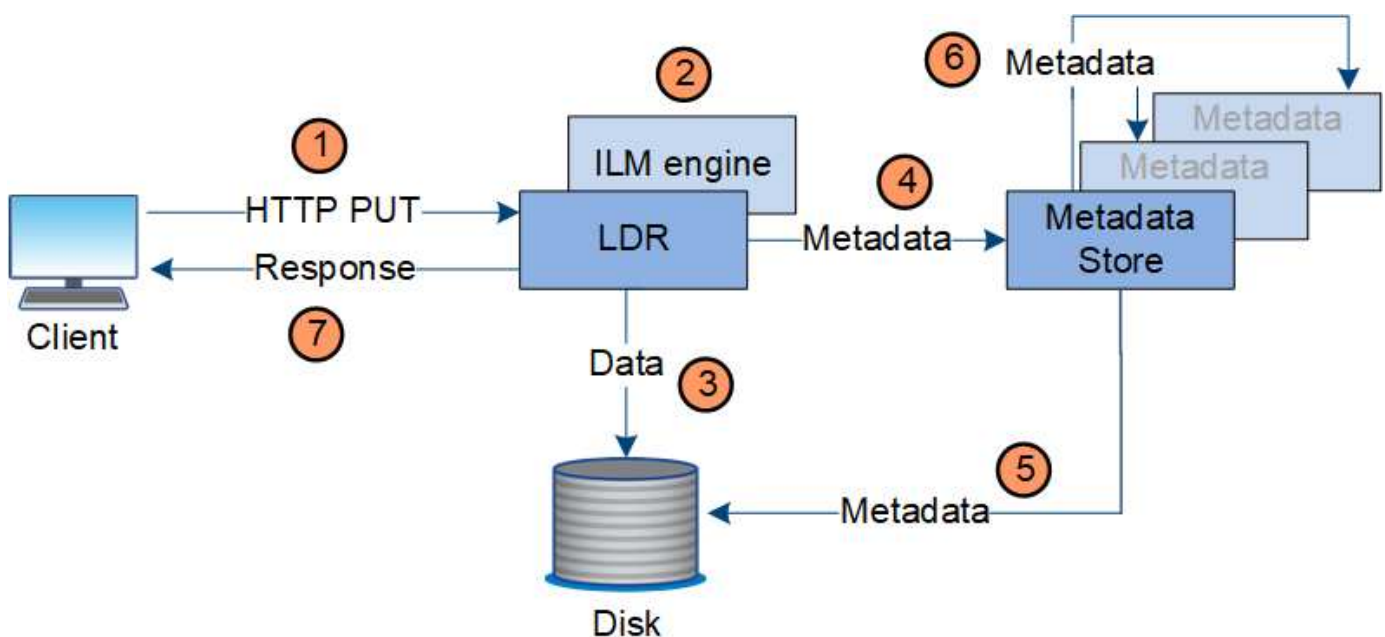
- [Manage objects with ILM](#)
- [Use information lifecycle management](#)

Ingest data flow

An ingest, or save, operation consists of a defined data flow between the client and the StorageGRID system.

Data flow

When a client ingests an object to the StorageGRID system, the LDR service on Storage Nodes processes the request and stores the metadata and data to disk.



1. The client application creates the object and sends it to the StorageGRID system through an HTTP PUT request.
2. The object is evaluated against the system's ILM policy.
3. The LDR service saves the object data as a replicated copy or as an erasure-coded copy. (The diagram shows a simplified version of storing a replicated copy to disk.)
4. The LDR service sends the object metadata to the metadata store.
5. The metadata store saves the object metadata to disk.
6. The metadata store propagates copies of object metadata to other Storage Nodes. These copies are also saved to disk.
7. The LDR service returns an HTTP 200 OK response to the client to acknowledge that the object has been ingested.

Copy management

Object data is managed by the active ILM policies and associated ILM rules. ILM rules make replicated or erasure-coded copies to protect object data from loss.

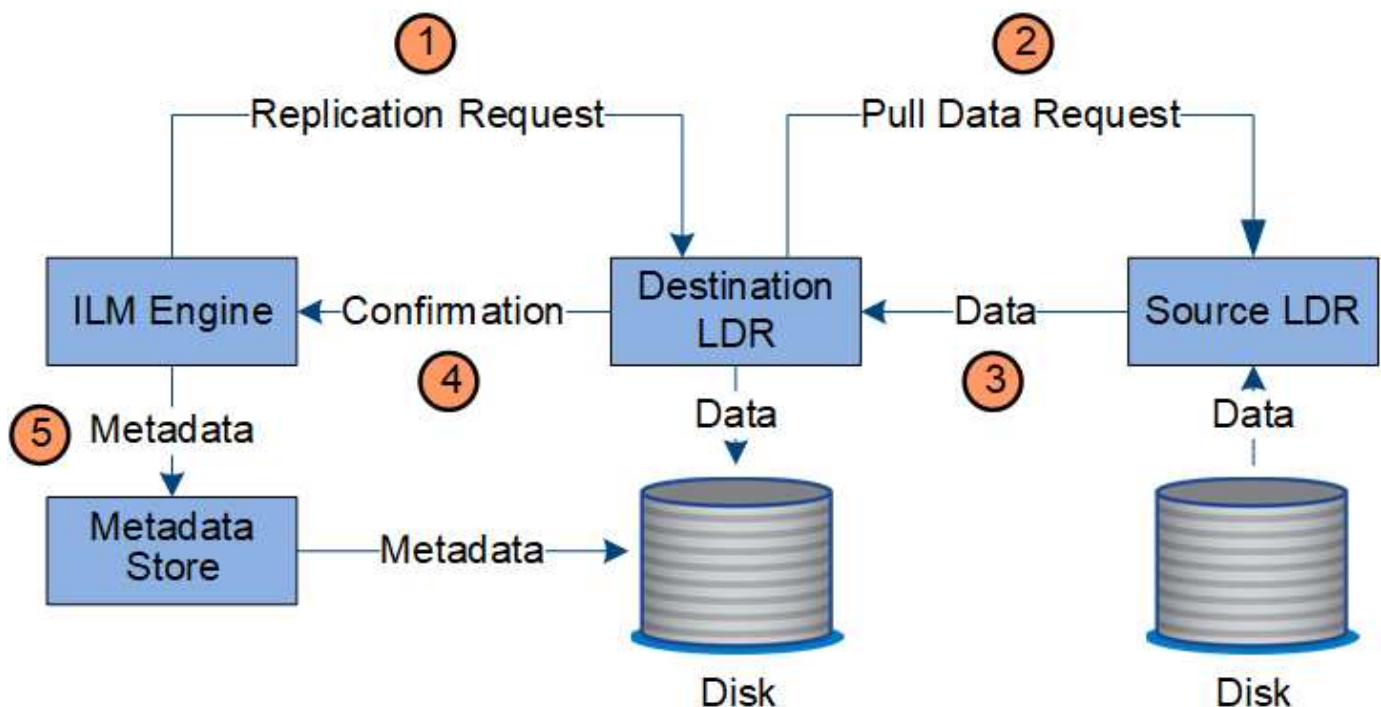
Different types or locations of object copies might be required at different times in the object's life. ILM rules are periodically evaluated to ensure that objects are placed as required.

Object data is managed by the LDR service.

Content protection: replication

If an ILM rule's content placement instructions require replicated copies of object data, copies are made and stored to disk by the Storage Nodes that make up the configured storage pool.

The ILM engine in the LDR service controls replication and ensures that the correct number of copies are stored in the correct locations and for the correct amount of time.

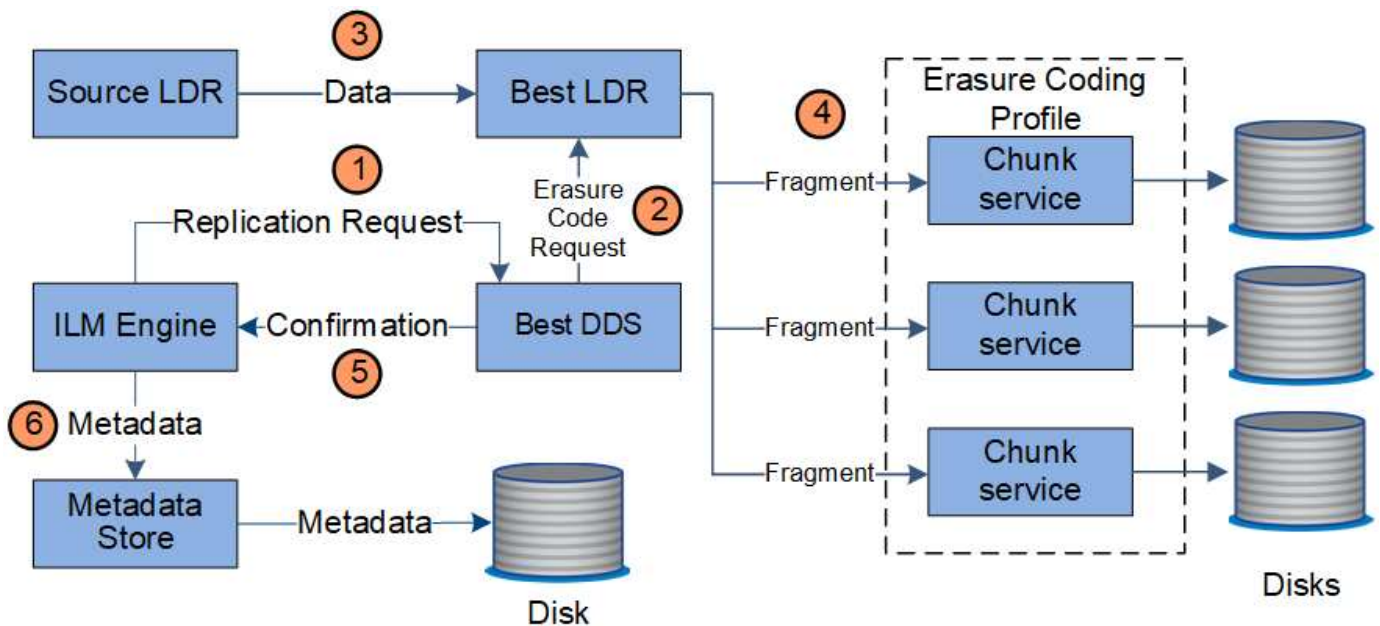


1. The ILM engine queries the ADC service to determine the best destination LDR service within the storage pool specified by the ILM rule. It then sends that LDR service a command to initiate replication.
2. The destination LDR service queries the ADC service for the best source location. It then sends a replication request to the source LDR service.
3. The source LDR service sends a copy to the destination LDR service.
4. The destination LDR service notifies the ILM engine that the object data has been stored.
5. The ILM engine updates the metadata store with object location metadata.

Content protection: erasure coding

If an ILM rule includes instructions to make erasure-coded copies of object data, the applicable erasure-coding scheme breaks object data into data and parity fragments and distributes these fragments across the Storage Nodes configured in the erasure-coding profile.

The ILM engine, which is a component of the LDR service, controls erasure coding and ensures that the erasure-coding profile is applied to object data.



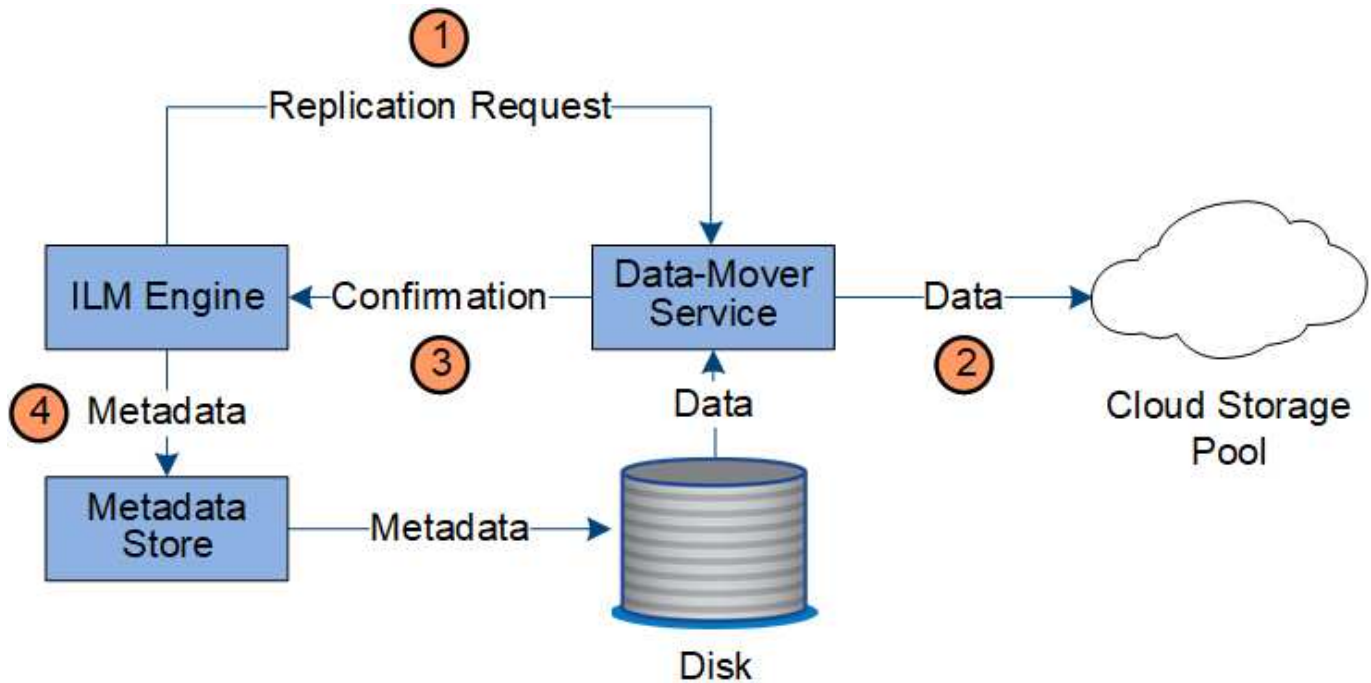
1. The ILM engine queries the ADC service to determine which DDS service can best perform the erasure coding operation. When determined, the ILM engine sends an "initiate" request to that service.
2. The DDS service instructs an LDR to erasure code the object data.
3. The source LDR service sends a copy to the LDR service selected for erasure coding.
4. After creating the appropriate number of parity and data fragments, the LDR service distributes these fragments across the Storage Nodes (Chunk services) that make up the erasure-coding profile's storage pool.
5. The LDR service notifies the ILM engine, confirming that object data is successfully distributed.
6. The ILM engine updates the metadata store with object location metadata.

Content protection: Cloud Storage Pool

If an ILM rule's content placement instructions require that a replicated copy of object data is stored on a Cloud Storage Pool, object data is duplicated to the external S3 bucket or Azure Blob storage container that was

specified for the Cloud Storage Pool.

The ILM engine, which is a component of the LDR service, and the Data Mover service control the movement of objects to the Cloud Storage Pool.



1. The ILM engine selects a Data Mover service to replicate to the Cloud Storage Pool.
2. The Data Mover service sends the object data to the Cloud Storage Pool.
3. The Data Mover service notifies the ILM engine that the object data has been stored.
4. The ILM engine updates the metadata store with object location metadata.

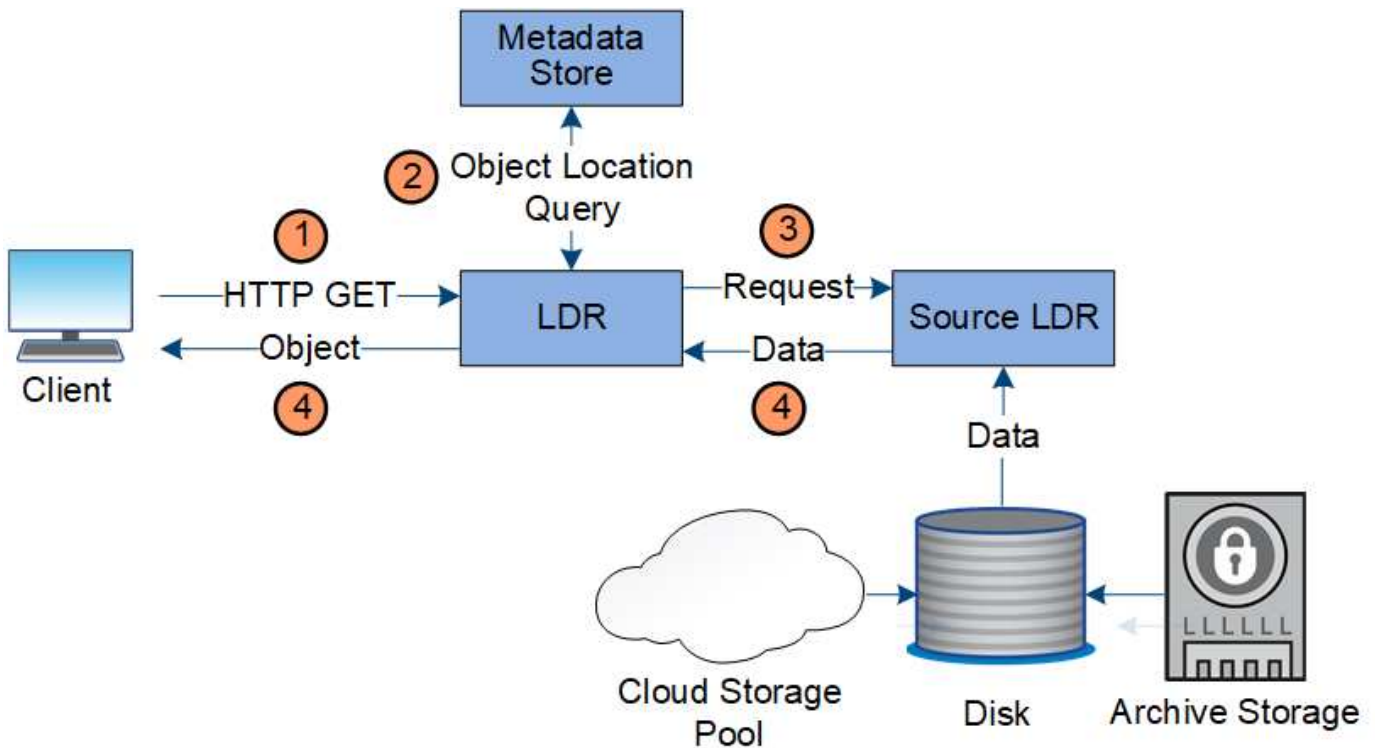
Retrieve data flow

A retrieve operation consists of a defined data flow between the StorageGRID system and the client. The system uses attributes to track the retrieval of the object from a Storage Node or, if necessary, a Cloud Storage Pool or Archive Node.

The Storage Node's LDR service queries the metadata store for the location of the object data and retrieves it from the source LDR service. Preferentially, retrieval is from a Storage Node. If the object is not available on a Storage Node, the retrieval request is directed to a Cloud Storage Pool or to an Archive Node.



If the only object copy is on AWS Glacier storage or the Azure Archive tier, the client application must issue an S3 RestoreObject request to restore a retrievable copy to the Cloud Storage Pool.



1. The LDR service receives a retrieval request from the client application.
2. The LDR service queries the metadata store for the object data location and metadata.
3. LDR service forwards the retrieval request to the source LDR service.
4. The source LDR service returns the object data from the queried LDR service and the system returns the object to the client application.

Delete data flow

All object copies are removed from the StorageGRID system when a client performs a delete operation or when the object's lifetime expires, triggering its automatic removal. There is a defined data flow for object deletion.

Deletion hierarchy

StorageGRID provides several methods for controlling when objects are retained or deleted. Objects can be deleted by client request or automatically. StorageGRID always prioritizes any S3 Object Lock settings over client delete requests, which are prioritized over S3 bucket lifecycle and ILM placement instructions.

- **S3 Object Lock:** If the global S3 Object Lock setting is enabled for the grid, S3 clients can create buckets with S3 Object Lock enabled and then use the S3 REST API to specify retain-until-date and legal hold settings for each object version added to that bucket.
 - An object version that is under a legal hold can't be deleted by any method.
 - Before an object version's retain-until-date is reached, that version can't be deleted by any method.
 - Objects in buckets with S3 Object Lock enabled are retained by ILM "forever". However, after its retain-until-date is reached, an object version can be deleted by a client request or the expiration of the bucket lifecycle.
 - If S3 clients apply a default retain-until-date to the bucket, they don't need to specify a retain-until-date

for each object.

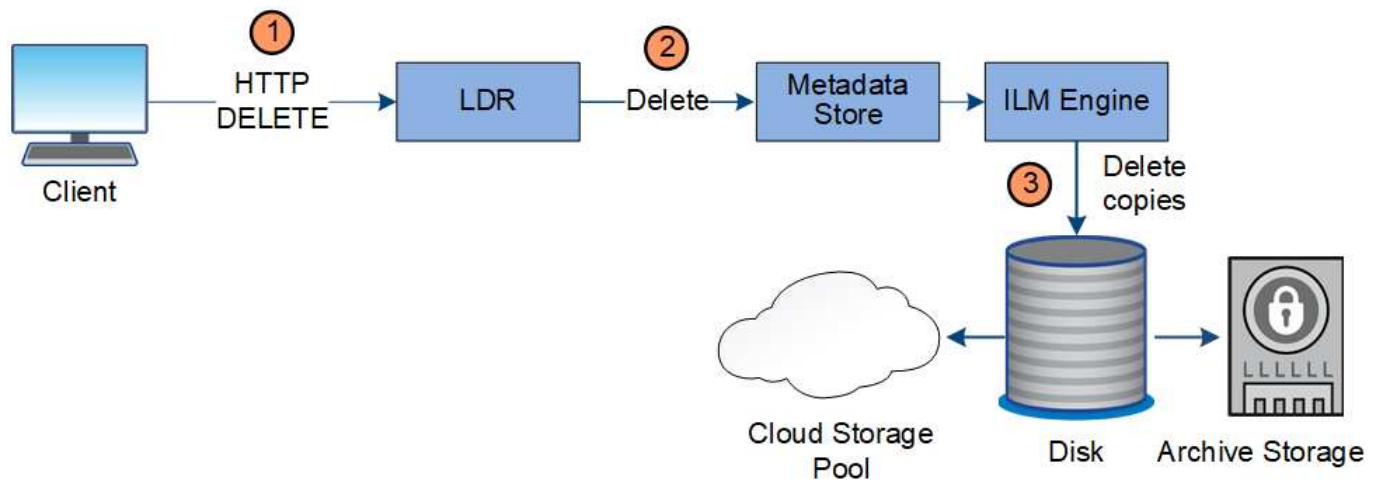
- **Client delete request:** An S3 or Swift client can issue a delete object request. When a client deletes an object, all copies of the object are removed from the StorageGRID system.
- **Delete objects in bucket:** Tenant Manager users can use this option to permanently remove all copies of the objects and object versions in selected buckets from the StorageGRID system.
- **S3 bucket lifecycle:** S3 clients can add a lifecycle configuration to their buckets that specifies an Expiration action. If a bucket lifecycle exists, StorageGRID automatically deletes all copies of an object when the date or number of days specified in the Expiration action are met, unless the client deletes the object first.
- **ILM placement instructions:** Assuming that the bucket does not have S3 Object Lock enabled and that there is no bucket lifecycle, StorageGRID automatically deletes an object when the last time period in the ILM rule ends and there are no further placements specified for the object.



When an S3 bucket lifecycle is configured, the lifecycle expiration actions override the ILM policy for objects that match the lifecycle filter. As a result, an object might be retained on the grid even after any ILM instructions for placing the object have lapsed.

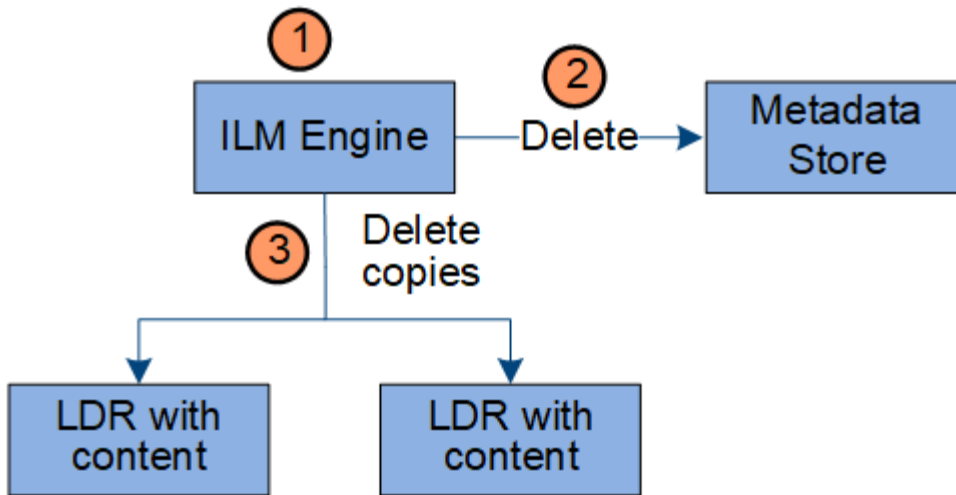
See [How objects are deleted](#) for more information.

Data flow for client deletes



1. The LDR service receives a delete request from the client application.
2. The LDR service updates the metadata store so the object looks deleted to client requests, and instructs the ILM engine to remove all copies of object data.
3. The object is removed from the system. The metadata store is updated to remove object metadata.

Data flow for ILM deletes



1. The ILM engine determines that the object needs to be deleted.
2. The ILM engine notifies the metadata store. The metadata store updates object metadata so that the object looks deleted to client requests.
3. The ILM engine removes all copies of the object. The metadata store is updated to remove object metadata.

Use information lifecycle management

You use information lifecycle management (ILM) to control the placement, duration, and ingest behavior for all objects in your StorageGRID system. ILM rules determine how StorageGRID stores objects over time. You configure one or more ILM rules and then add them to an ILM policy.

A grid has only one active policy at a time. A policy can contain multiple rules.

ILM rules define:

- Which objects should be stored. A rule can apply to all objects, or you can specify filters to identify which objects a rule applies to. For example, a rule can apply only to objects associated with certain tenant accounts, specific S3 buckets or Swift containers, or specific metadata values.
- The storage type and location. Objects can be stored on Storage Nodes, in Cloud Storage Pools, or on Archive Nodes.
- The type of object copies made. Copies can be replicated or erasure-coded.
- For replicated copies, the number of copies made.
- For erasure-coded copies, the erasure-coding scheme used.
- The changes over time to an object's storage location and type of copies.
- How object data is protected as objects are ingested into the grid (synchronous placement or dual commit).

Note that object metadata is not managed by ILM rules. Instead, object metadata is stored in a Cassandra database in what is known as a metadata store. Three copies of object metadata are automatically maintained at each site to protect the data from loss.

Example ILM rule

As an example, an ILM rule could specify the following:

- Apply only to the objects belonging to Tenant A.
- Make two replicated copies of those objects and store each copy at a different site.
- Retain the two copies "forever," which means that StorageGRID will not automatically delete them. Instead, StorageGRID will retain these objects until they are deleted by a client delete request or by the expiration of a bucket lifecycle.
- Use the Balanced option for ingest behavior: the two-site placement instruction is applied as soon as Tenant A saves an object to StorageGRID, unless it is not possible to immediately make both required copies.

For example, if Site 2 is unreachable when Tenant A saves an object, StorageGRID will make two interim copies on Storage Nodes at Site 1. As soon as Site 2 becomes available, StorageGRID will make the required copy at that site.

How an ILM policy evaluates objects

The active ILM policies for your StorageGRID system control the placement, duration, and ingest behavior of all objects.

When clients save objects to StorageGRID, the objects are evaluated against the ordered set of ILM rules in the active policy, as follows:

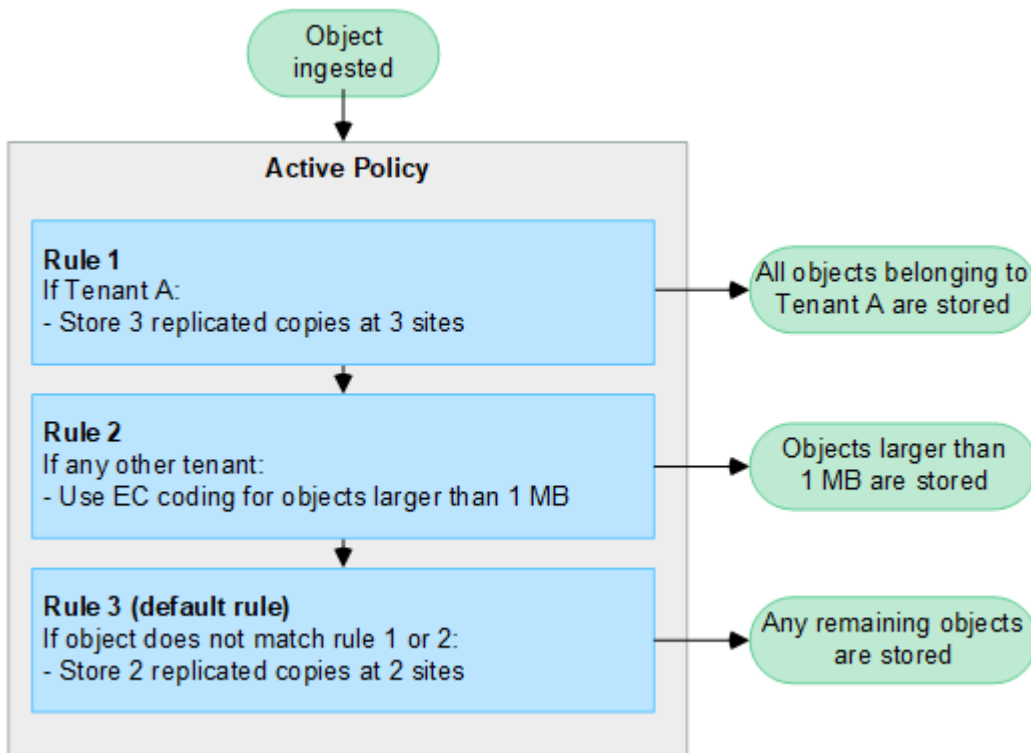
1. If the filters for the first rule in the policy match an object, the object is ingested according to that rule's ingest behavior and stored according to that rule's placement instructions.
2. If the filters for the first rule don't match the object, the object is evaluated against each subsequent rule in the policy until a match is made.
3. If no rules match an object, the ingest behavior and placement instructions for the default rule in the policy are applied. The default rule is the last rule in a policy and can't use any filters. It must apply to all tenants, all buckets, and all object versions.

Example ILM policy

As an example, an ILM policy could contain three ILM rules that specify the following:

- **Rule 1: Replicated copies for Tenant A**
 - Match all objects belonging to Tenant A.
 - Store these objects as three replicated copies at three sites.
 - Objects belonging to other tenants aren't matched by Rule 1, so they are evaluated against Rule 2.
- **Rule 2: Erasure coding for objects greater than 1 MB**
 - Match all objects from other tenants, but only if they are greater than 1 MB. These larger objects are stored using 6+3 erasure coding at three sites.
 - Does not match objects 1 MB or smaller, so these objects are evaluated against Rule 3.
- **Rule 3: 2 copies 2 data centers (default)**
 - Is the last and default rule in the policy. Does not use filters.
 - Make two replicated copies of all objects not matched by Rule 1 or Rule 2 (objects not belonging to

Tenant A that are 1 MB or smaller).



Related information

- [Manage objects with ILM](#)

Explore StorageGRID

Explore the Grid Manager

The Grid Manager is the browser-based graphical interface that allows you to configure, manage, and monitor your StorageGRID system.



The Grid Manager is updated with each release and might not match the example screenshots on this page.

When you sign in to the Grid Manager, you are connecting to an Admin Node. Each StorageGRID system includes one primary Admin Node and any number of non-primary Admin Nodes. You can connect to any Admin Node, and each Admin Node displays a similar view of the StorageGRID system.

You can access the Grid Manager using a [supported web browser](#).

Grid Manager dashboard

When you first sign in to the Grid Manager, you can use the dashboard to [monitor system activities](#) at a glance.

The dashboard contains information about system health and performance, storage use, ILM processes, S3 and Swift operations, and the nodes in the grid. You can [configure the dashboard](#) by selecting from a collection of cards that contain the information you need to effectively monitor your system.

The screenshot displays the StorageGRID dashboard with the following components:

- Health status:** Shows a 'Minor' alert with 1 current alert.
- Data space usage breakdown:** 3.18 MB (0%) of 30.29 TB used overall.

Site name	Data storage usage	Used space	Total space
Data Center 1	0%	3.18 MB	30.29 TB
- Metadata allowed space usage breakdown:** 4.59 MB (0%) of 3.96 TB used in Data Center 1. Data Center 1 has the highest metadata space usage and it determines the metadata space available in the grid.

Site name	Metadata space usage	Used space	Allowed space
Data Center 1	0%	4.59 MB	3.96 TB
- Grid information:**

Serial number	959007
System ID	a43702a1-132c-45a4-bf72-b8dda73e901
Version	11.8.0
License capacity	1000 TB
Site count	1
Node count	5
- Data storage over time:** A line chart showing space used from Jan 10 to Jan 12. The y-axis ranges from 0 byte to 3.50 MB. The chart shows a significant increase in space used starting around Jan 10.

For an explanation of the information shown on each card, select the help icon for that card.

Search field

The **Search** field in the header bar allows you to quickly navigate to a specific page within Grid Manager. For example, you can enter **km** to access the Key management server (KMS) page. You can use **Search** to find entries in the sidebar of the Grid Manager and on the Configuration, Maintenance, and Support menus.

Help menu

The help menu provides access to:

- The [FabricPool](#) and [S3 setup](#) wizard
- The StorageGRID documentation center for the current release
- [API documentation](#)
- Information about which version of StorageGRID is currently installed

Alerts menu

The Alerts menu provides an easy-to-use interface for detecting, evaluating, and resolving issues that might occur during StorageGRID operation.

From the Alerts menu, you can do the following to [manage alerts](#):

- Review current alerts
- Review resolved alerts
- Configure silences to suppress alert notifications

- Define alert rules for conditions that trigger alerts
- Configure the email server for alert notifications

Nodes page

The [Nodes page](#) displays information about the entire grid, each site in the grid, and each node at a site.

The Nodes home page displays combined metrics for the entire grid. To view information for a particular site or node, select the site or node.

Nodes

View the list and status of sites and grid nodes.

Search... Total node count: 14

Name	Type	Object data used	Object metadata used	CPU usage
StorageGRID Deployment	Grid	0%	0%	—
▲ Data Center 1	Site	0%	0%	—
✓ DC1-ADM1	Primary Admin Node	—	—	21%
✓ DC1-ARC1	Archive Node	—	—	8%
✓ DC1-G1	Gateway Node	—	—	10%
✓ DC1-S1	Storage Node	0%	0%	29%

Tenants page

The [Tenants page](#) allows you to [create and monitor the storage tenant accounts](#) for your StorageGRID system. You must create at least one tenant account to specify who can store and retrieve objects and which functionality is available to them.

The Tenants page also provides usage details for each tenant, including the amount of storage used and the number of objects. If you set a quota when you created the tenant, you can see how much of that quota has been used.

Tenants

View information for each tenant account. Depending on the timing of ingests, network connectivity, and node status, the usage data shown might be out of date. To view more recent values, select the tenant name.

[Create](#) [Export to CSV](#) [Actions](#) Displaying 2 results

<input type="checkbox"/>	Name ?	Logical space used ?	Quota utilization ?	Quota ?	Object count ?	Sign in/Copy URL ?
<input type="checkbox"/>	S3 Tenant	0 bytes	<div style="width: 0%;"></div> 0%	100.00 GB	0	→ 📄
<input type="checkbox"/>	Swift Tenant	0 bytes	<div style="width: 0%;"></div> 0%	100.00 GB	0	→ 📄

[←](#) Previous **1** Next [→](#)

ILM menu

The [ILM menu](#) allows you to [configure the information lifecycle management \(ILM\) rules and policies](#) that govern data durability and availability. You can also enter an object identifier to view the metadata for that object.

From the ILM menu you can view and manage ILM:

- Rules
- Policies
- Policy tags
- Storage pools
- Erasure coding
- Storage grades
- Regions
- Object metadata lookup

Configuration menu

The Configuration menu allows you to specify network settings, security settings, system settings, monitoring options, and access control options.

Network tasks

Network tasks include:

- [Managing high availability groups](#)
- [Managing load balancer endpoints](#)
- [Configuring S3 endpoint domain names](#)
- [Managing traffic classification policies](#)
- [Configuring VLAN interfaces](#)

Security tasks

Security tasks include:

- [Managing security certificates](#)
- [Managing internal firewall controls](#)
- [Configuring key management servers](#)
- Configuring security settings including the [TLS and SSH policy](#), [network and object security options](#), and [interface security settings](#).
- Configuring the settings for a [storage proxy](#) or an [admin proxy](#)

System tasks

System tasks include:

- Using [grid federation](#) to clone tenant account information and replicate object data between two StorageGRID systems.
- Optionally, enabling the [Compress stored objects](#) option.
- [Managing S3 Object Lock](#)
- Understanding Storage options such as [object segmentation](#) and [storage volume watermarks](#).

Monitoring tasks

Monitoring tasks include:

- [Configuring audit messages and log destinations](#)
- [Using SNMP monitoring](#)

Access control tasks

Access control tasks include:

- [Managing admin groups](#)
- [Managing admin users](#)
- Changing the [provisioning passphrase](#) or [node console passwords](#)
- [Using identity federation](#)
- [Configuring SSO](#)

Maintenance menu

The Maintenance menu allows you to perform maintenance tasks, system maintenance, and network maintenance.

Tasks

Maintenance tasks include:

- [Decommission operations](#) to remove unused grid nodes and sites
- [Expansion operations](#) to add new grid nodes and sites

- [Grid node recovery procedures](#) to replace a failed node and restore data
- [Rename procedures](#) to change the display names of your grid, sites, and nodes
- [Object existence check operations](#) to verify the existence (although not the correctness) of object data
- Performing a [rolling reboot](#) to restart multiple grid nodes
- [Volume restoration operations](#)

System

System maintenance tasks you can perform include:

- [Viewing StorageGRID license information](#) or [updating license information](#)
- Generating and downloading the [Recovery Package](#)
- Performing StorageGRID software updates, including software upgrades, hotfixes, and updates to the SANtricity OS software on selected appliances
 - [Upgrade procedure](#)
 - [Hotfix procedure](#)
 - [Upgrade SANtricity OS on SG6000 storage controllers using Grid Manager](#)
 - [Upgrade SANtricity OS on SG5700 storage controllers using Grid Manager](#)

Network

Network maintenance tasks you can perform include:

- [Configuring DNS servers](#)
- [Updating Grid Network subnets](#)
- [Managing NTP servers](#)

Support menu

The Support menu provides options that help technical support analyze and troubleshoot your system. There are three parts to the Support menu: Tools, Alarms (legacy), and Other.

Tools

From the Tools section of the Support menu, you can:

- [Configure AutoSupport](#)
- [Run diagnostics](#) on the current state of the grid
- [Access the Grid Topology tree](#) to view detailed information about grid nodes, services, and attributes
- [Collect log files and system data](#)
- [Review support metrics](#)



The tools available from the **Metrics** option are intended for use by technical support. Some features and menu items within these tools are intentionally non-functional.

Alarms (legacy)

From the [Alarms \(legacy\)](#) section of the Support menu, you can:

- Review current, historical, and global alarms
- Set up custom events
- Set up [email notifications for legacy alarms](#)



While the legacy alarm system continues to be supported, the alert system offers significant benefits and is easier to use.

Other

From the Other section of the Support menu, you can:

- Manage [link cost](#)
- View [Network Management System \(NMS\)](#) entries
- Manage [storage watermarks](#)

Explore the Tenant Manager

The [Tenant Manager](#) is the browser-based graphical interface that tenant users access to configure, manage, and monitor their storage accounts.



The Tenant Manager is updated with each release and might not match the example screenshots on this page.

When tenant users sign in to the Tenant Manager, they are connecting to an Admin Node.

Tenant Manager dashboard

After a grid administrator creates a tenant account using the Grid Manager or the Grid Management API, tenant users can sign in to the Tenant Manager.

The Tenant Manager dashboard allows tenant users to monitor storage usage at a glance. The Storage usage panel contains a list of the largest buckets (S3) or containers (Swift) for the tenant. The Space used value is the total amount of object data in the bucket or container. The bar chart represents the relative sizes of these buckets or containers.

The value shown above the bar chart is a sum of the space used for all of the tenant's buckets or containers. If the maximum number of gigabytes, terabytes, or petabytes available for the tenant was specified when the account was created, the amount of quota used and remaining are also shown.

Dashboard

16 Buckets
View buckets

2 Platform services endpoints
View endpoints

0 Groups
View groups

1 User
View users

Storage usage [?](#)

6.5 TB of 7.2 TB used

0.7 TB (10.1%) remaining



Bucket name	Space used	Number of objects
Bucket-15	969.2 GB	913,425
Bucket-04	937.2 GB	576,806
Bucket-13	815.2 GB	957,389
Bucket-06	812.5 GB	193,843
Bucket-10	473.9 GB	583,245
Bucket-03	403.2 GB	981,226
Bucket-07	362.5 GB	420,726
Bucket-05	294.4 GB	785,190
8 other buckets	1.4 TB	3,007,036

Total objects

8,418,886
objects

Tenant details [?](#)

Name: Tenant02
ID: 3341 1240 0546 8283 2208

- Platform services enabled
- Can use own identity source
- S3 Select enabled

Storage menu (S3)

The Storage menu is provided for S3 tenant accounts only. This menu allows S3 users to manage access keys; create, manage, and delete buckets; manage platform services endpoints; and view any grid federation connections they are permitted to use.

My access keys

S3 tenant users can manage access keys as follows:

- Users who have the Manage your own S3 credentials permission can create or remove their own S3 access keys.
- Users who have the Root access permission can manage the access keys for the S3 root account, their own account, and all other users. Root access keys also provide full access to the tenant's buckets and objects unless explicitly disabled by a bucket policy.



Managing the access keys for other users takes place from the Access Management menu.

Buckets

S3 tenant users with the appropriate permissions can perform the following tasks for their buckets:

- Create buckets
- Enable S3 Object Lock for a new bucket (assumes that S3 Object Lock is enabled for the StorageGRID)

system)

- Update consistency values
- Enable and disable last access time updates
- Enable or suspend object versioning
- Update S3 Object Lock default retention
- Configure cross-origin resource sharing (CORS)
- Delete all objects in a bucket
- Delete empty buckets
- Use the [S3 Console](#) to manage bucket objects

If a grid administrator has enabled the use of platform services for the tenant account, an S3 tenant user with the appropriate permissions can also perform these tasks:

- Configure S3 event notifications, which can be sent to a destination service that supports the Amazon Simple Notification Service.
- Configure CloudMirror replication, which enables the tenant to automatically replicate objects to an external S3 bucket.
- Configure search integration, which sends object metadata to a destination search index whenever an object is created, deleted, or its metadata or tags are updated.

Platform services endpoints

If a grid administrator has enabled the use of platform services for the tenant account, an S3 tenant user with the Manage endpoints permission can configure a destination endpoint for each platform service.

Grid federation connections

If a grid administrator has enabled the use of a grid federation connection for the tenant account, an S3 tenant user who has Root access permission can view the connection name, access the bucket details page for each bucket that has cross-grid replication enabled, and view the most recent error to occur when bucket data was being replicated to the other grid in the connection. See [View grid federation connections](#).

Access Management menu

The Access Management menu allows StorageGRID tenants to import user groups from a federated identity source and assign management permissions. Tenants can also manage local tenant groups and users, unless single sign-on (SSO) is in effect for the entire StorageGRID system.

Networking guidelines

Networking guidelines: Overview

Use these guidelines to learn about StorageGRID architecture and networking topologies and to learn the requirements for network configuration and provisioning.

About these instructions

These guidelines provide information you can use to create the StorageGRID networking infrastructure before deploying and configuring StorageGRID nodes. Use these guidelines to help ensure that communication can

occur among all the nodes in the grid and between the grid and external clients and services.

External clients and external services need to connect to StorageGRID networks to perform functions such as the following:

- Store and retrieve object data
- Receive email notifications
- Access the StorageGRID management interface (the Grid Manager and Tenant Manager)
- Access the audit share (optional)
- Provide services such as:
 - Network Time Protocol (NTP)
 - Domain name system (DNS)
 - Key Management Server (KMS)

StorageGRID networking must be configured appropriately to handle the traffic for these functions and more.

Before you begin

Configuring the networking for a StorageGRID system requires a high level of experience with Ethernet switching, TCP/IP networking, subnets, network routing, and firewalls.

Before you configure networking, become familiar with StorageGRID architecture as described in [Learn about StorageGRID](#).

After you determine which StorageGRID networks you want to use and how those networks will be configured, you can install and configure the StorageGRID nodes by following the appropriate instructions.

Install appliance nodes

- [Install appliance hardware](#)

Install software-based nodes

- [Install StorageGRID on Red Hat Enterprise Linux](#)
- [Install StorageGRID on Ubuntu or Debian](#)
- [Install StorageGRID on VMware](#)

Configure and administer StorageGRID software

- [Administer StorageGRID](#)
- [Release notes](#)

StorageGRID network types

The grid nodes in a StorageGRID system process *grid traffic*, *admin traffic*, and *client traffic*. You must configure the networking appropriately to manage these three types of traffic and to provide control and security.

Traffic types

Traffic type	Description	Network type
Grid traffic	The internal StorageGRID traffic that travels between all nodes in the grid. All grid nodes must be able to communicate with all other grid nodes over this network.	Grid Network (required)
Admin traffic	The traffic used for system administration and maintenance.	Admin Network (optional), VLAN network (optional)
Client traffic	The traffic that travels between external client applications and the grid, including all object storage requests from S3 and Swift clients.	Client Network (optional), VLAN network (optional)

You can configure networking in the following ways:

- Grid Network only
- Grid and Admin Networks
- Grid and Client Networks
- Grid, Admin, and Client Networks

The Grid Network is mandatory and can manage all grid traffic. The Admin and Client Networks can be included at the time of installation or added later to adapt to changes in requirements. Although the Admin Network and Client Network are optional, when you use these networks to handle administrative and client traffic, the Grid Network can be made isolated and secure.

Internal ports are only accessible over the Grid Network. External ports are accessible from all network types. This flexibility provides multiple options for designing a StorageGRID deployment and setting up external IP and port filtering in switches and firewalls. See [internal grid node communications](#) and [external communications](#).

Network interfaces

StorageGRID nodes are connected to each network using the following specific interfaces:

Network	Interface name
Grid Network (required)	eth0
Admin Network (optional)	eth1
Client Network (optional)	eth2

For details about mapping virtual or physical ports to node network interfaces, see the installation instructions:

Software-based nodes

- [Install StorageGRID on Red Hat Enterprise Linux](#)
- [Install StorageGRID on Ubuntu or Debian](#)
- [Install StorageGRID on VMware](#)

Appliance nodes

- [SGF6112 storage appliance](#)
- [SG6000 storage appliance](#)
- [SG5700 storage appliance](#)
- [SG100 and SG1000 services appliances](#)

Network information for each node

You must configure the following for each network you enable on a node:

- IP address
- Subnet mask
- Gateway IP address

You can only configure one IP address/mask/gateway combination for each of the three networks on each grid node. If you don't want to configure a gateway for a network, you should use the IP address as the gateway address.

High availability groups

High availability (HA) groups provide the ability to add virtual IP (VIP) addresses to the Grid or Client Network interface. For more information, see [Manage high availability groups](#).

Grid Network

The Grid Network is required. It is used for all internal StorageGRID traffic. The Grid Network provides connectivity among all nodes in the grid, across all sites and subnets. All nodes on the Grid Network must be able to communicate with all other nodes. The Grid Network can consist of multiple subnets. Networks containing critical grid services, such as NTP, can also be added as grid subnets.



StorageGRID does not support network address translation (NAT) between nodes.

The Grid Network can be used for all admin traffic and all client traffic, even if the Admin Network and Client Network are configured. The Grid Network gateway is the node default gateway unless the node has the Client Network configured.



When configuring the Grid Network, you must ensure that the network is secured from untrusted clients, such as those on the open internet.

Note the following requirements and details for the Grid Network gateway:

- The Grid Network gateway must be configured if there are multiple grid subnets.
- The Grid Network gateway is the node default gateway until grid configuration is complete.
- Static routes are generated automatically for all nodes to all subnets configured in the global Grid Network Subnet List.
- If a Client Network is added, the default gateway switches from the Grid Network gateway to the Client Network gateway when grid configuration is complete.

Admin Network

The Admin Network is optional. When configured, it can be used for system administration and maintenance traffic. The Admin Network is typically a private network and does not need to be routable between nodes.

You can choose which grid nodes should have the Admin Network enabled on them.

When you use the Admin Network, administrative and maintenance traffic does not need to travel across the Grid Network. Typical uses of the Admin Network include the following:

- Access to the Grid Manager and Tenant Manager user interfaces.
- Access to critical services such as NTP servers, DNS servers, external key management servers (KMS), and Lightweight Directory Access Protocol (LDAP) servers.
- Access to audit logs on Admin Nodes.
- Secure Shell Protocol (SSH) access for maintenance and support.

The Admin Network is never used for internal grid traffic. An Admin Network gateway is provided and allows the Admin Network to communicate with multiple external subnets. However, the Admin Network gateway is never used as the node default gateway.

Note the following requirements and details for the Admin Network gateway:

- The Admin Network gateway is required if connections will be made from outside of the Admin Network subnet or if multiple Admin Network subnets are configured.
- Static routes are created for each subnet configured in the node's Admin Network Subnet List.

Client Network

The Client Network is optional. When configured, it is used to provide access to grid services for client applications such as S3 and Swift. If you plan to make StorageGRID data accessible to an external resource (for example, a Cloud Storage Pool or the StorageGRID CloudMirror replication service), the external resource can also use the Client Network. Grid nodes can communicate with any subnet reachable through the Client Network gateway.

You can choose which grid nodes should have the Client Network enabled on them. All nodes don't have to be on the same Client Network, and nodes will never communicate with each other over the Client Network. The Client Network does not become operational until grid installation is complete.

For added security, you can specify that a node's Client Network interface be untrusted so that the Client Network will be more restrictive of which connections are allowed. If a node's Client Network interface is untrusted, the interface accepts outbound connections such as those used by CloudMirror replication, but only accepts inbound connections on ports that have been explicitly configured as load balancer endpoints. See [Manage firewall controls](#) and [Configure load balancer endpoints](#).

When you use a Client Network, client traffic does not need to travel across the Grid Network. Grid Network traffic can be separated onto a secure, non-routable network. The following node types are often configured with a Client Network:

- Gateway Nodes, because these nodes provide access to the StorageGRID Load Balancer service and S3 and Swift client access to the grid.
- Storage Nodes, because these nodes provide access to the S3 and Swift protocols and to Cloud Storage Pools and the CloudMirror replication service.

- Admin Nodes, to ensure that tenant users can connect to the Tenant Manager without needing to use the Admin Network.

Note the following for the Client Network gateway:

- The Client Network gateway is required if the Client Network is configured.
- The Client Network gateway becomes the default route for the grid node when grid configuration is complete.

Optional VLAN networks

As required, you can optionally use virtual LAN (VLAN) networks for client traffic and for some types of admin traffic. Grid traffic, however, can't use a VLAN interface. The internal StorageGRID traffic between nodes must always use the Grid Network on eth0.

To support the use VLANs, you must configure one or more interfaces on a node as trunk interfaces at the switch. You can configure the Grid Network interface (eth0) or the Client Network interface (eth2) to be a trunk, or you can add trunk interfaces to the node.

If eth0 is configured as a trunk, Grid Network traffic flows over the trunk native interface, as configured on the switch. Similarly, if eth2 is configured as a trunk, and the Client Network is also configured on the same node, the Client Network uses the trunk port's native VLAN as configured on the switch.

Only inbound admin traffic, such as used for SSH, Grid Manager, or Tenant Manager traffic, is supported over VLAN networks. Outbound traffic, such as used for NTP, DNS, LDAP, KMS, and Cloud Storage Pools, is not supported over VLAN networks.



VLAN interfaces can be added to Admin Nodes and Gateway Nodes only. You can't use a VLAN interface for client or admin access to Storage Nodes or Archive Nodes.

See [Configure VLAN interfaces](#) for instructions and guidelines.

VLAN interfaces are only used in HA groups and are assigned VIP addresses on the active node. See [Manage high availability groups](#) for instructions and guidelines.

Network topology examples

Grid Network topology

The simplest network topology is created by configuring the Grid Network only.

When you configure the Grid Network, you establish the host IP address, subnet mask, and Gateway IP address for the eth0 interface for each grid node.

During configuration, you must add all Grid Network subnets to the Grid Network Subnet List (GNSL). This list includes all subnets for all sites, and might also include external subnets that provide access to critical services such as NTP, DNS, or LDAP.

At installation, the Grid Network interface applies static routes for all subnets in the GNSL and sets the node's default route to the Grid Network gateway if one is configured. The GNSL is not required if there is no Client Network and the Grid Network gateway is the node's default route. Host routes to all other nodes in the grid are also generated.

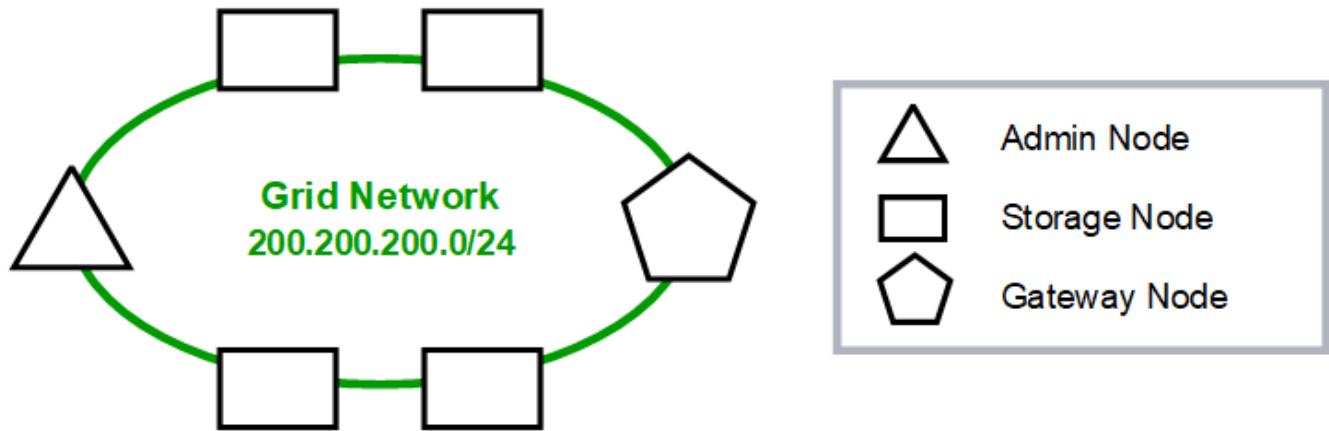
In this example, all traffic shares the same network, including traffic related to S3 and Swift client requests and

administrative and maintenance functions.



This topology is appropriate for single-site deployments that aren't externally available, proof-of-concept or test deployments, or when a third-party load balancer acts as the client access boundary. When possible, the Grid Network should be used exclusively for internal traffic. Both the Admin Network and the Client Network have additional firewall restrictions that block external traffic to internal services. Using the Grid Network for external client traffic is supported, but this use offers fewer layers of protection.

Topology example: Grid Network only



Provisioned

GNSL → 200.200.200.0/24		
	Grid Network	
Nodes	IP/mask	Gateway
Admin	200.200.200.32/24	200.200.200.1
Storage	200.200.200.33/24	200.200.200.1
Storage	200.200.200.34/24	200.200.200.1
Storage	200.200.200.35/24	200.200.200.1
Storage	200.200.200.36/24	200.200.200.1
Gateway	200.200.200.37/24	200.200.200.1

System Generated

Nodes	Routes	Type	From
All	0.0.0.0/0 → 200.200.200.1	Default	Grid Network gateway
	200.200.200.0/24 → eth0	Link	Interface IP/mask

Admin Network topology

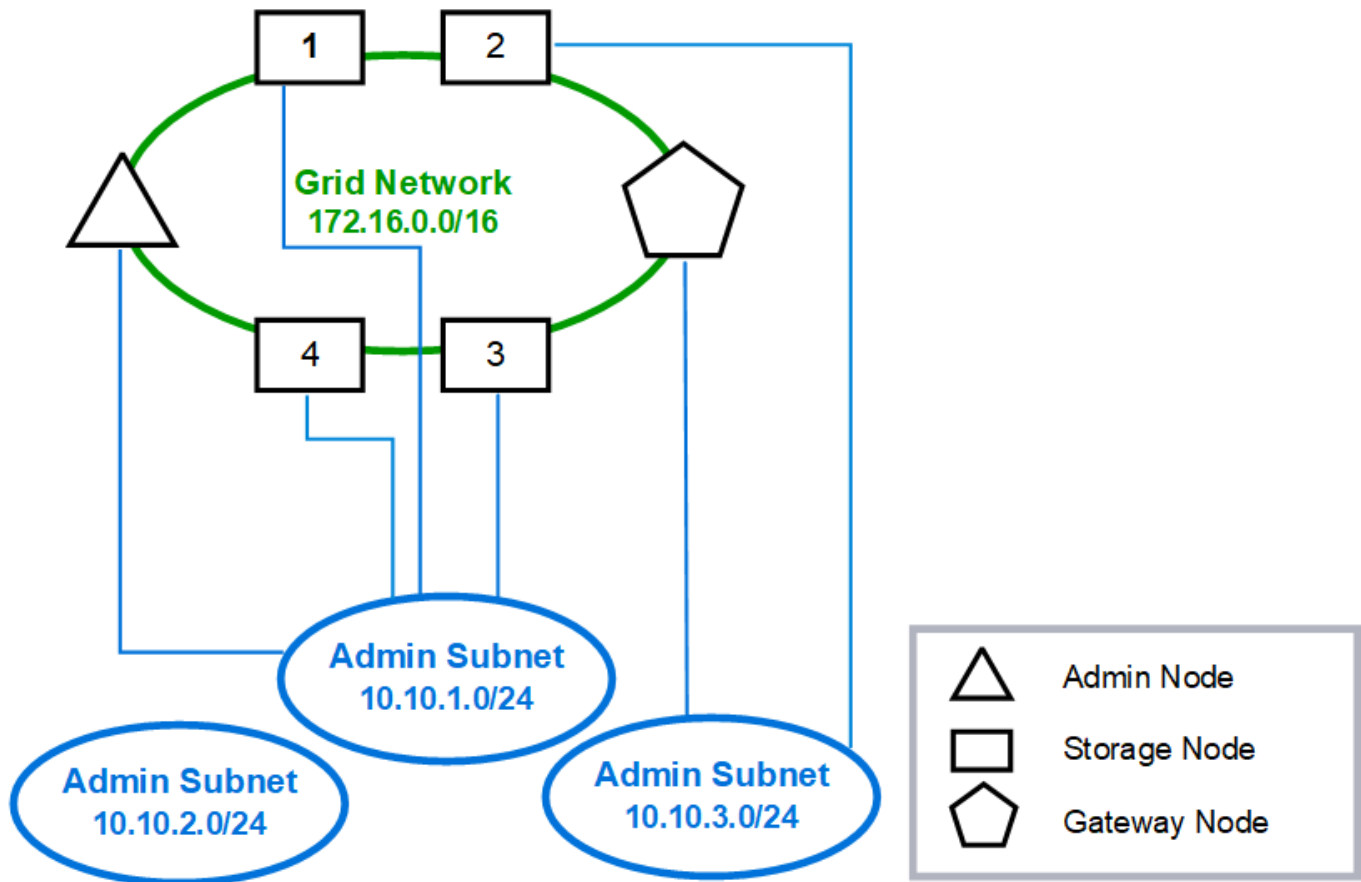
Having an Admin Network is optional. One way that you can use an Admin Network and a Grid Network is to configure a routable Grid Network and a bounded Admin Network for each node.

When you configure the Admin Network, you establish the host IP address, subnet mask, and Gateway IP address for the eth1 interface for each grid node.

The Admin Network can be unique to each node and can consist of multiple subnets. Each node can be configured with an Admin External Subnet List (AESL). The AESL lists the subnets reachable over the Admin Network for each node. The AESL must also include the subnets of any services the grid will access over the Admin Network, such as NTP, DNS, KMS, and LDAP. Static routes are applied for each subnet in the AESL.

In this example, the Grid Network is used for traffic related to S3 and Swift client requests and object management. while the Admin Network is used for administrative functions.

Topology example: Grid and Admin Networks



GNSL → 172.16.0.0/16

AESL (all) → 10.10.1.0/24 10.10.2.0/24 10.10.3.0/24

Nodes	Grid Network		Admin Network	
	IP/mask	Gateway	IP/mask	Gateway
Admin	172.16.200.32/24	172.16.200.1	10.10.1.10/24	10.10.1.1
Storage 1	172.16.200.33/24	172.16.200.1	10.10.1.11/24	10.10.1.1
Storage 2	172.16.200.34/24	172.16.200.1	10.10.3.65/24	10.10.3.1
Storage 3	172.16.200.35/24	172.16.200.1	10.10.1.12/24	10.10.1.1
Storage 4	172.16.200.36/24	172.16.200.1	10.10.1.13/24	10.10.1.1
Gateway	172.16.200.37/24	172.16.200.1	10.10.3.66/24	10.10.3.1

System Generated

Nodes	Routes	Type	From
All	0.0.0.0/0 → 172.16.200.1	Default	Grid Network gateway
Admin,	172.16.0.0/16 → eth0	Static	GNSL
Storage 1,	10.10.1.0/24 → eth1	Link	Interface IP/mask
3, and 4	10.10.2.0/24 → 10.10.1.1	Static	AESL
	10.10.3.0/24 → 10.10.1.1	Static	AESL
Storage 2,	172.16.0.0/16 → eth0	Static	GNSL
Gateway	10.10.1.0/24 → 10.10.3.1	Static	AESL
	10.10.2.0/24 → 10.10.3.1	Static	AESL
	10.10.3.0/24 → eth1	Link	Interface IP/mask

Client Network topology

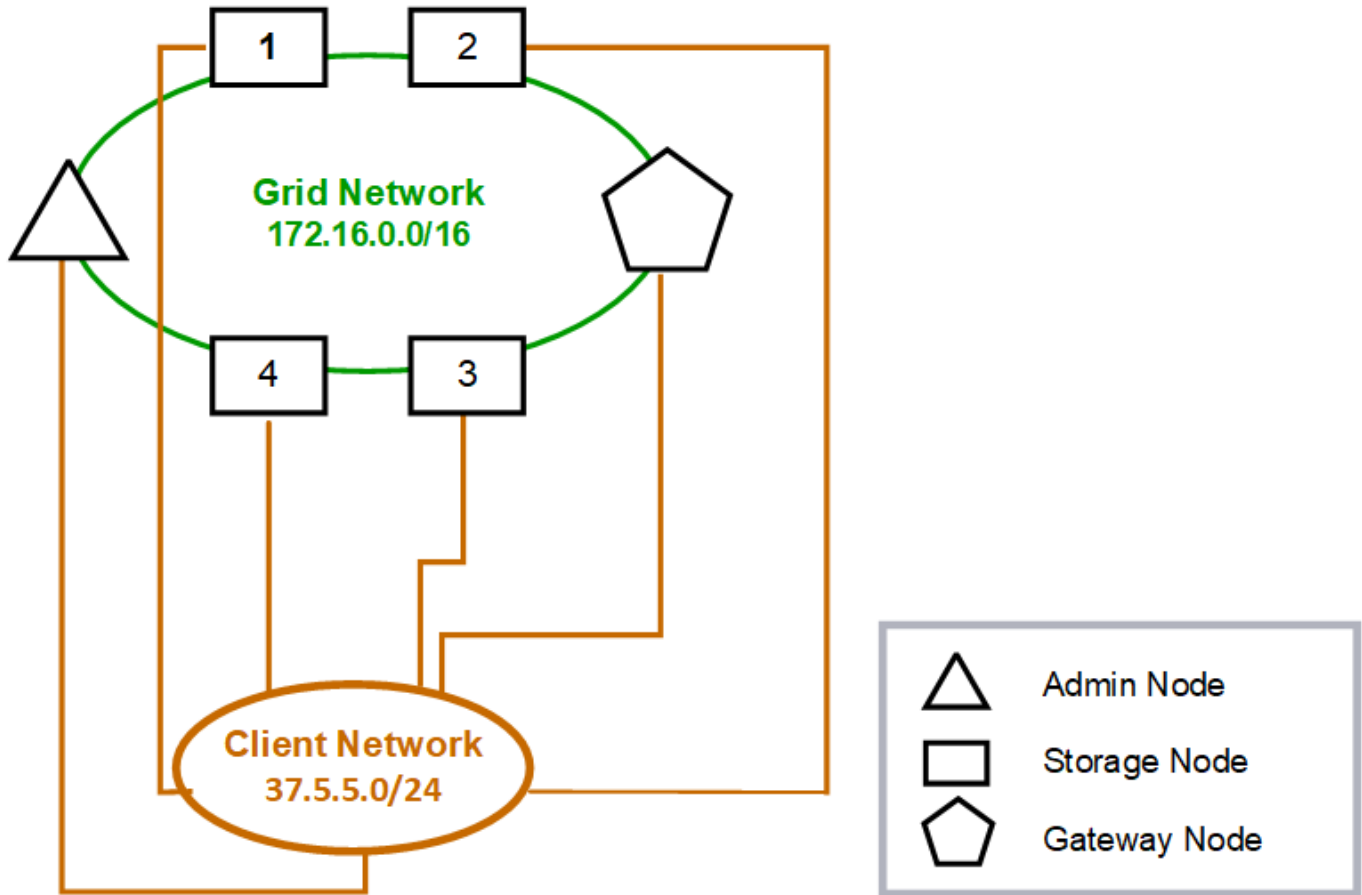
Having a Client Network is optional. Using a Client Network allows client network traffic (for example, S3 and Swift) to be separated from grid internal traffic, which allows grid networking to be more secure. Administrative traffic can be handled by either the Client or Grid Network when the Admin Network is not configured.

When you configure the Client Network, you establish the host IP address, subnet mask, and Gateway IP address for the eth2 interface for the configured node. Each node's Client Network can be independent of the Client Network on any other node.

If you configure a Client Network for a node during installation, the node's default gateway switches from the Grid Network gateway to the Client Network gateway when installation is complete. If a Client Network is added later, the node's default gateway switches in the same way.

In this example, the Client Network is used for S3 and Swift client requests and for administrative functions, while the Grid Network is dedicated to internal object management operations.

Topology example: Grid and Client Networks



GNSL → 172.16.0.0/16

Nodes	Grid Network	Client Network	
	IP/mask	IP/mask	Gateway
Admin	172.16.200.32/24	37.5.5.10/24	37.5.5.1
Storage	172.16.200.33/24	37.5.5.11/24	37.5.5.1
Storage	172.16.200.34/24	37.5.5.12/24	37.5.5.1
Storage	172.16.200.35/24	37.5.5.13/24	37.5.5.1
Storage	172.16.200.36/24	37.5.5.14/24	37.5.5.1
Gateway	172.16.200.37/24	37.5.5.15/24	37.5.5.1

System Generated

Nodes	Routes		Type	From
All	0.0.0.0/0	→ 37.5.5.1	Default	Client Network gateway
	172.16.0.0/16	→ eth0	Link	Interface IP/mask
	37.5.5.0/24	→ eth2	Link	Interface IP/mask

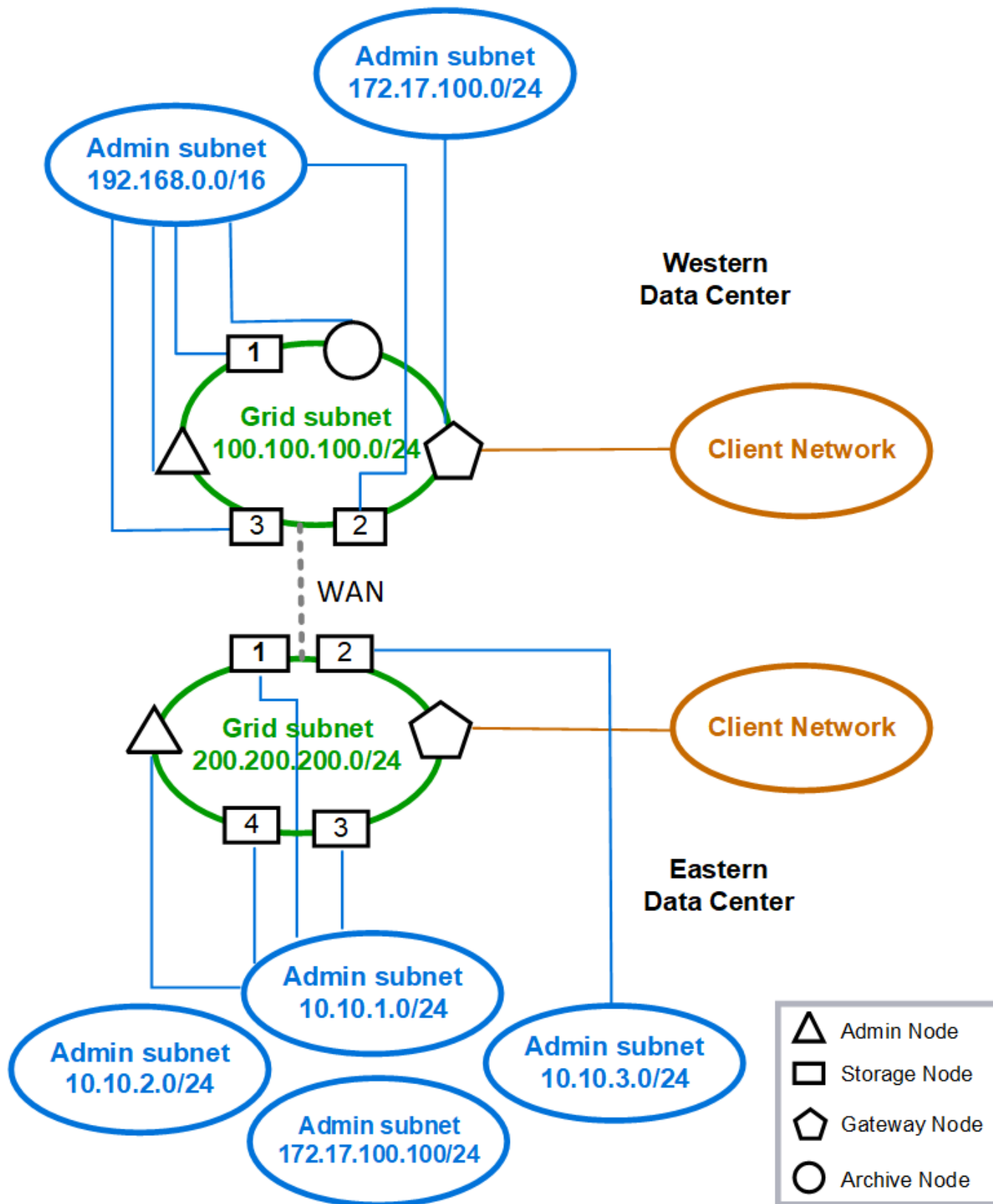
Topology for all three networks

You can configure all three networks into a network topology consisting of a private Grid Network, bounded site-specific Admin Networks, and open Client Networks. Using load balancer endpoints and untrusted Client Networks can provide additional security if needed.

In this example:

- The Grid Network is used for network traffic related to internal object management operations.
- The Admin Network is used for traffic related to administrative functions.
- The Client Network is used for traffic related to S3 and Swift client requests.

Topology example: Grid, Admin, and Client Networks



Networking requirements

You must verify that the current networking infrastructure and configuration can support the planned StorageGRID network design.

General networking requirements

All StorageGRID deployments must be able to support the following connections.

These connections can occur through the Grid, Admin, or Client Networks, or the combinations of these networks as illustrated in the network topology examples.

- **Management connections:** Inbound connections from an administrator to the node, usually through SSH. Web browser access to the Grid Manager, the Tenant Manager, and the StorageGRID Appliance Installer.
- **NTP server connections:** Outbound UDP connection that receives an inbound UDP response.

At least one NTP server must be reachable by the primary Admin Node.

- **DNS server connections:** Outbound UDP connection that receives an inbound UDP response.
- **LDAP/Active Directory server connections:** Outbound TCP connection from the Identity service on Storage Nodes.
- **AutoSupport:** Outbound TCP connection from the Admin Nodes to either `support.netapp.com` or a customer-configured proxy.
- **External key management server:** Outbound TCP connection from each appliance node with node encryption enabled.
- Inbound TCP connections from S3 and Swift clients.
- Outbound requests from StorageGRID platform services such as CloudMirror replication or from Cloud Storage Pools.

If StorageGRID is unable to contact any of the provisioned NTP or DNS servers using the default routing rules, it will automatically attempt contact on all networks (Grid, Admin, and Client) as long as the IP addresses of the DNS and NTP servers are specified. If the NTP or DNS servers can be reached on any network, StorageGRID will automatically create additional routing rules to ensure that network is used for all future attempts to connect to it.



Although you can use these automatically discovered host routes, in general you should manually configure the DNS and NTP routes to ensure connectivity in case automatic discovery fails.

If you aren't ready to configure the optional Admin and Client Networks during deployment, you can configure these networks when you approve grid nodes during the configuration steps. Additionally, you can configure these networks after installation, using the Change IP tool (see [Configure IP addresses](#)).

Only S3 and Swift client connections and SSH, Grid Manager, and Tenant Manager administrative connections are supported over VLAN interfaces. Outbound connections, such as to NTP, DNS, LDAP, AutoSupport, and KMS servers, must go over the Client, Admin, or Grid Network interfaces directly. If the interface is configured as a trunk to support VLAN interfaces, this traffic will flow over the interface's native VLAN, as configured at the switch.

Wide Area Networks (WANs) for multiple sites

When configuring a StorageGRID system with multiple sites, the WAN connection between sites must have a minimum bandwidth of 25 Mbit/second in each direction before accounting for client traffic. Data replication or erasure coding between sites, node or site expansion, node recovery, and other operations or configurations will require additional bandwidth.

Actual minimum WAN bandwidth requirements depend on client activity and the ILM protection scheme. For assistance estimating the minimum WAN bandwidth requirements, contact your NetApp Professional Services consultant.

Connections for Admin Nodes and Gateway Nodes

Admin Nodes must always be secured from untrusted clients, such as those on the open internet. You must ensure that no untrusted client can access any Admin Node on the Grid Network, the Admin Network, or the Client Network.

Admin Nodes and Gateway Nodes that you plan to add to high availability groups must be configured with a static IP address. For more information, see [Manage high availability groups](#).

Using network address translation (NAT)

Don't use network address translation (NAT) on the Grid Network between grid nodes or between StorageGRID sites. When you use private IPv4 addresses for the Grid Network, those addresses must be directly routable from every grid node at every site. As required, however, you can use NAT between external clients and grid nodes, such as to provide a public IP address for a Gateway Node. Using NAT to bridge a public network segment is supported only when you employ a tunneling application that is transparent to all nodes in the grid, meaning the grid nodes require no knowledge of public IP addresses.

Network-specific requirements

Follow the requirements for each StorageGRID network type.

Network gateways and routers

- If set, the gateway for a given network must be within the specific network's subnet.
- If you configure an interface using static addressing, you must specify a gateway address other than 0.0.0.0.
- If you don't have a gateway, the best practice is to set the gateway address to be the IP address of the network interface.

Subnets



Each network must be connected to its own subnet that does not overlap with any other network on the node.

The following restrictions are enforced by the Grid Manager during deployment. They are provided here to assist in pre-deployment network planning.

- The subnet mask for any network IP address can't be 255.255.255.254 or 255.255.255.255 (/31 or /32 in CIDR notation).
- The subnet defined by a network interface IP address and subnet mask (CIDR) can't overlap the subnet of

any other interface configured on the same node.

- The Grid Network subnet for each node must be included in the GNSL.
- The Admin Network subnet can't overlap the Grid Network subnet, the Client Network subnet, or any subnet in the GNSL.
- The subnets in the AESL can't overlap with any subnets in the GNSL.
- The Client Network subnet can't overlap the Grid Network subnet, the Admin Network subnet, any subnet in the GNSL, or any subnet in the AESL.

Grid Network

- At deployment time, each grid node must be attached to the Grid Network and must be able to communicate with the primary Admin Node using the networking configuration you specify when deploying the node.
- During normal grid operations, each grid node must be able to communicate with all other grid nodes over the Grid Network.



The Grid Network must be directly routable between each node. Network address translation (NAT) between nodes is not supported.

- If the Grid Network consists of multiple subnets, add them to the Grid Network Subnet List (GNSL). Static routes are created on all nodes for each subnet in the GNSL.
- If the Grid Network interface is configured as a trunk to support VLAN interfaces, the trunk native VLAN must be the VLAN used for Grid Network traffic. All grid nodes must be accessible over the trunk native VLAN.

Admin Network

The Admin Network is optional. If you plan to configure an Admin Network, follow these requirements and guidelines.

Typical uses of the Admin Network include management connections, AutoSupport, KMS, and connections to critical servers such as NTP, DNS, and LDAP if these connections aren't provided through the Grid Network or Client Network.



The Admin Network and AESL can be unique to each node, as long as the desired network services and clients are reachable.



You must define at least one subnet on the Admin Network to enable inbound connections from external subnets. Static routes are automatically generated on each node for each subnet in the AESL.

Client Network

The Client Network is optional. If you plan to configure a Client Network, note the following considerations.

- The Client Network is designed to support traffic from S3 and Swift clients. If configured, the Client Network gateway becomes the node's default gateway.
- If you use a Client Network, you can help secure StorageGRID from hostile attacks by accepting inbound client traffic only on explicitly configured load balancer endpoints. See [Configure load balancer endpoints](#).

- If the Client Network interface is configured as a trunk to support VLAN interfaces, consider whether configuring the Client Network interface (eth2) is necessary. If configured, Client Network traffic will flow over the trunk native VLAN, as configured in the switch.

Deployment-specific networking considerations

Linux deployments

For efficiency, reliability, and security, the StorageGRID system runs on Linux as a collection of container engines. Container engine-related network configuration is not required in a StorageGRID system.

Use a non-bond device, such as a VLAN or virtual Ethernet (veth) pair, for the container network interface. Specify this device as the network interface in the node configuration file.



Don't use bond or bridge devices directly as the container network interface. Doing so could prevent node start-up because of a kernel issue with the use of macvlan with bond and bridge devices in the container namespace.

See the installation instructions for [Red Hat Enterprise Linux](#) or [Ubuntu or Debian](#) deployments.

Host network configuration for container engine deployments

Before starting your StorageGRID deployment on a container engine platform, determine which networks (Grid, Admin, Client) each node will use. You must ensure that each node's network interface is configured on the correct virtual or physical host interface, and that each network has sufficient bandwidth.

Physical hosts

If you are using physical hosts to support grid nodes:

- Make sure all hosts use the same host interface for each node interface. This strategy simplifies host configuration and enables future node migration.
- Obtain an IP address for the physical host itself.



A physical interface on the host can be used by the host itself and one or more nodes running on the host. Any IP addresses assigned to the host or nodes using this interface must be unique. The host and the node can't share IP addresses.

- Open the required ports to the host.
- If you intend to use VLAN interfaces in StorageGRID, the host must have one or more trunk interfaces that provide access to the desired VLANs. These interfaces can be passed into the node container as eth0, eth2, or as additional interfaces. To add trunk or access interfaces, see the following:
 - **RHEL (before installing the node):** [Create node configuration files](#)
 - **Ubuntu or Debian (before installing the node):** [Create node configuration files](#)
 - **RHEL, Ubuntu, or Debian (after installing the node):** [Linux: Add trunk or access interfaces to a node](#)

Minimum bandwidth recommendations

The following table provides the minimum LAN bandwidth recommendations for each type of StorageGRID

node and each type of network. You must provision each physical or virtual host with sufficient network bandwidth to meet the aggregate minimum bandwidth requirements for the total number and type of StorageGRID nodes you plan to run on that host.

Type of node	Type of network		
	Grid	Admin	Client
	Minimum LAN bandwidth		
Admin	10 Gbps	1 Gbps	1 Gbps
Gateway	10 Gbps	1 Gbps	10 Gbps
Storage	10 Gbps	1 Gbps	10 Gbps
Archive	10 Gbps	1 Gbps	10 Gbps



This table does not include SAN bandwidth, which is required for access to shared storage. If you are using shared storage accessed over Ethernet (iSCSI or FCoE), you should provision separate physical interfaces on each host to provide sufficient SAN bandwidth. To avoid introducing a bottleneck, SAN bandwidth for a given host should roughly match the aggregate Storage Node network bandwidth for all Storage Nodes running on that host.

Use the table to determine the minimum number of network interfaces to provision on each host, based on the number and type of StorageGRID nodes you plan to run on that host.

For example, to run one Admin Node, one Gateway Node, and one Storage Node on a single host:

- Connect the Grid and Admin Networks on the Admin Node (requires $10 + 1 = 11$ Gbps)
- Connect the Grid and Client Networks on the Gateway Node (requires $10 + 10 = 20$ Gbps)
- Connect the Grid Network on the Storage Node (requires 10 Gbps)

In this scenario, you should provide a minimum of $11 + 20 + 10 = 41$ Gbps of network bandwidth, which could be met by two 40 Gbps interfaces or five 10 Gbps interfaces, potentially aggregated into trunks and then shared by the three or more VLANs carrying the Grid, Admin, and Client subnets local to the physical data center containing the host.

For some recommended ways of configuring physical and network resources on the hosts in your StorageGRID cluster to prepare for your StorageGRID deployment, see the following:

- [Configure the host network \(Red Hat Enterprise Linux\)](#)
- [Configure the host network \(Ubuntu or Debian\)](#)

Networking and ports for platform services and Cloud Storage Pools

If you plan to use StorageGRID platform services or Cloud Storage Pools, you must configure grid networking and firewalls to ensure that the destination endpoints can be reached.

Networking for platform services

As described in [Manage platform services for tenants](#) and [Manage platform services](#), platform services include external services that provide search integration, event notification, and CloudMirror replication.

Platform services require access from Storage Nodes that host the StorageGRID ADC service to the external service endpoints. Examples for providing access include:

- On the Storage Nodes with ADC services, configure unique Admin Networks with AESL entries that route to the target endpoints.
- Rely on the default route provided by a Client Network. If you use the default route, you can use the [untrusted Client Network feature](#) to restrict inbound connections.

Networking for Cloud Storage Pools

Cloud Storage Pools also require access from Storage Nodes to the endpoints provided by the external service used, such as Amazon S3 Glacier or Microsoft Azure Blob storage. For information, see [What is a Cloud Storage Pool](#).

Ports for platform services and Cloud Storage Pools

By default, platform services and Cloud Storage Pool communications use the following ports:

- **80**: For endpoint URIs that begin with `http`
- **443**: For endpoint URIs that begin with `https`

A different port can be specified when the endpoint is created or edited. See [Network port reference](#).

If you use a non-transparent proxy server, you must also [configure storage proxy settings](#) to allow messages to be sent to external endpoints, such as an endpoint on the internet.

VLANs and platform services and Cloud Storage Pools

You can't use VLAN networks for platform services or Cloud Storage Pools. The destination endpoints must be reachable over the Grid, Admin, or Client Network.

Appliance nodes

You can configure the network ports on StorageGRID appliances to use the port bond modes that meet your requirements for throughput, redundancy, and failover.

The 10/25-GbE ports on the StorageGRID appliances can be configured in Fixed or Aggregate bond mode for connections to the Grid Network and Client Network.

The 1-GbE Admin Network ports can be configured in Independent or Active-Backup mode for connections to the Admin Network.

See the information about port bond modes for your appliance:

- [Port bond modes \(SGF6112\)](#)
- [Port bond modes \(SG6000-CN controller\)](#)
- [Port bond modes \(E5700SG controller\)](#)

- [Port bond modes \(SG100 and SG1000\)](#)

Network installation and provisioning

You must understand how the Grid Network and the optional Admin and Client Networks are used during node deployment and grid configuration.

Initial deployment of a node

When you first deploy a node, you must attach the node to the Grid Network and ensure it has access to the primary Admin Node. If the Grid Network is isolated, you can configure the Admin Network on the primary Admin Node for configuration and installation access from outside the Grid Network.

A Grid Network with a gateway configured becomes the default gateway for a node during deployment. The default gateway allows grid nodes on separate subnets to communicate with the primary Admin Node before the grid has been configured.

If necessary, subnets containing NTP servers or requiring access to the Grid Manager or API can also be configured as grid subnets.

Automatic node registration with primary Admin Node

After the nodes are deployed, they register themselves with the primary Admin Node using the Grid Network. You can then use the Grid Manager, the `configure-storagegrid.py` Python script, or the Installation API to configure the grid and approve the registered nodes. During grid configuration, you can configure multiple grid subnets. Static routes to these subnets through the Grid Network gateway will be created on each node when you complete grid configuration.

Disabling the Admin Network or Client Network

If you want to disable the Admin Network or Client Network, you can remove the configuration from them during the node approval process, or you can use the Change IP tool after installation is complete (see [Configure IP addresses](#)).

Post-installation guidelines

After completing grid node deployment and configuration, follow these guidelines for DHCP addressing and network configuration changes.

- If DHCP was used to assign IP addresses, configure a DHCP reservation for each IP address on the networks being used.

You can only set up DHCP during the deployment phase. You can't set up DHCP during configuration.



Nodes reboot when their IP addresses change, which can cause outages if a DHCP address change affects multiple nodes at the same time.

- You must use the Change IP procedures if you want to change IP addresses, subnet masks, and default gateways for a grid node. See [Configure IP addresses](#).
- If you make networking configuration changes, including routing and gateway changes, client connectivity to the primary Admin Node and other grid nodes might be lost. Depending on the networking changes applied, you might need to reestablish these connections.

Network port reference

You must ensure the network infrastructure can provide internal and external communication between nodes within the grid and to external clients and services. You might need access across internal and external firewalls, switching systems, and routing systems.

Use the details provided for [Internal grid node communications](#) and [External communications](#) to determine how to configure each required port.

Internal grid node communications

The StorageGRID internal firewall allows incoming connections to specific ports on the Grid Network. Connections are also accepted on ports defined by load balancer endpoints.



NetApp recommends that you enable Internet Control Message Protocol (ICMP) traffic between grid nodes. Allowing ICMP traffic can improve failover performance when a grid node can't be reached.

In addition to ICMP and the ports listed in the table, StorageGRID uses the Virtual Router Redundancy Protocol (VRRP). VRRP is an internet protocol that uses IP protocol number 112. StorageGRID uses VRRP in unicast mode only. VRRP is required only if [high availability groups](#) are configured.

Guidelines for Linux-based nodes

If enterprise networking policies restrict access to any of these ports, you can remap ports at deployment time using a deployment configuration parameter. For more information about port remapping and deployment configuration parameters, see:

- [Install StorageGRID on Red Hat Enterprise Linux](#)
- [Install StorageGRID on Ubuntu or Debian](#)

Guidelines for VMware-based nodes

Configure the following ports only if you need to define firewall restrictions that are external to VMware networking.

If enterprise networking policies restrict access to any of these ports, you can remap ports when you deploy nodes using the VMware vSphere Web Client, or by using a configuration file setting when automating grid node deployment. For more information about port remapping and deployment configuration parameters, see [Install StorageGRID on VMware](#).

Guidelines for appliance nodes

If enterprise networking policies restrict access to any of these ports, you can remap ports using the StorageGRID Appliance Installer. See [Optional: Remap network ports for appliance](#).

StorageGRID internal ports

Port	TCP or UDP	From	To	Details
22	TCP	Primary Admin Node	All nodes	For maintenance procedures, the primary Admin Node must be able to communicate with all other nodes using SSH on port 22. Allowing SSH traffic from other nodes is optional.
80	TCP	Appliances	Primary Admin Node	Used by StorageGRID appliances to communicate with the primary Admin Node to start the installation.
123	UDP	All nodes	All nodes	Network time protocol service. Every node synchronizes its time with every other node using NTP.
443	TCP	All nodes	Primary Admin Node	Used for communicating status to the primary Admin Node during installation and other maintenance procedures.
1055	TCP	All nodes	Primary Admin Node	Internal traffic for installation, expansion, recovery, and other maintenance procedures.
1139	TCP	Storage Nodes	Storage Nodes	Internal traffic between Storage Nodes.
1501	TCP	All nodes	Storage Nodes with ADC	Reporting, auditing, and configuration internal traffic.
1502	TCP	All nodes	Storage Nodes	S3- and Swift-related internal traffic.
1504	TCP	All nodes	Admin Nodes	NMS service reporting and configuration internal traffic.
1505	TCP	All nodes	Admin Nodes	AMS service internal traffic.
1506	TCP	All nodes	All nodes	Server status internal traffic.
1507	TCP	All nodes	Gateway Nodes	Load balancer internal traffic.
1508	TCP	All nodes	Primary Admin Node	Configuration management internal traffic.
1509	TCP	All nodes	Archive Nodes	Archive Node internal traffic.

Port	TCP or UDP	From	To	Details
1511	TCP	All nodes	Storage Nodes	Metadata internal traffic.
7001	TCP	Storage Nodes	Storage Nodes	Cassandra TLS inter-node cluster communication.
7443	TCP	All nodes	Primary Admin Node	Internal traffic for installation, expansion, recovery, other maintenance procedures, and error reporting.
8011	TCP	All nodes	Primary Admin Node	Internal traffic for installation, expansion, recovery, and other maintenance procedures.
8443	TCP	Primary Admin Node	Appliance nodes	Internal traffic related to the maintenance mode procedure.
9042	TCP	Storage Nodes	Storage Nodes	Cassandra client port.
9999	TCP	All nodes	All nodes	Internal traffic for multiple services. Includes maintenance procedures, metrics, and networking updates.
10226	TCP	Storage Nodes	Primary Admin Node	Used by StorageGRID appliances for forwarding AutoSupport packages from E-Series SANtricity System Manager to the primary Admin Node.
10342	TCP	All nodes	Primary Admin Node	Internal traffic for installation, expansion, recovery, and other maintenance procedures.
11139	TCP	Archive/Storage Nodes	Archive/Storage Nodes	Internal traffic between Storage Nodes and Archive Nodes.
18000	TCP	Admin/Storage Nodes	Storage Nodes with ADC	Account service internal traffic.
18001	TCP	Admin/Storage Nodes	Storage Nodes with ADC	Identity Federation internal traffic.
18002	TCP	Admin/Storage Nodes	Storage Nodes	Internal API traffic related to object protocols.

Port	TCP or UDP	From	To	Details
18003	TCP	Admin/Storage Nodes	Storage Nodes with ADC	Platform services internal traffic.
18017	TCP	Admin/Storage Nodes	Storage Nodes	Data Mover service internal traffic for Cloud Storage Pools.
18019	TCP	Storage Nodes	Storage Nodes	Chunk service internal traffic for erasure coding.
18082	TCP	Admin/Storage Nodes	Storage Nodes	S3-related internal traffic.
18083	TCP	All nodes	Storage Nodes	Swift-related internal traffic.
18086	TCP	All grid nodes	All Storage Nodes	Internal traffic related to LDR service.
18200	TCP	Admin/Storage Nodes	Storage Nodes	Additional statistics about client requests.
19000	TCP	Admin/Storage Nodes	Storage Nodes with ADC	Keystone service internal traffic.

Related information

[External communications](#)

External communications

Clients need to communicate with grid nodes to ingest and retrieve content. The ports used depends on the object storage protocols chosen. These ports need to be accessible to the client.

Restricted access to ports

If enterprise networking policies restrict access to any of the ports, you can use [load balancer endpoints](#) to allow access on user-defined ports.

Port remapping

To use systems and protocols such as SMTP, DNS, SSH, or DHCP, you must remap ports when deploying nodes. However, you should not remap load balancer endpoints. For information about port remapping, see the installation instructions:

- [Install StorageGRID on Red Hat Enterprise Linux](#)

- [Install StorageGRID on Ubuntu or Debian](#)
- [Install StorageGRID on VMware](#)
- [Optional: Remap network ports for appliance](#)

Ports used for external communications

The following table shows the ports used for traffic into the nodes.



This list does not include ports that might be configured as [load balancer endpoints](#).

Port	TCP or UDP	Protocol	From	To	Details
22	TCP	SSH	Service laptop	All nodes	SSH or console access is required for procedures with console steps. Optionally, you can use port 2022 instead of 22.
25	TCP	SMTP	Admin Nodes	Email server	Used for alerts and email-based AutoSupport. You can override the default port setting of 25 using the Email Servers page.
53	TCP/ UDP	DNS	All nodes	DNS servers	Used for DNS.
67	UDP	DHCP	All nodes	DHCP service	Optionally used to support DHCP-based network configuration. The dhclient service does not run for statically-configured grids.
68	UDP	DHCP	DHCP service	All nodes	Optionally used to support DHCP-based network configuration. The dhclient service does not run for grids that use static IP addresses.
80	TCP	HTTP	Browser	Admin Nodes	Port 80 redirects to port 443 for the Admin Node user interface.
80	TCP	HTTP	Browser	Appliances	Port 80 redirects to port 8443 for the StorageGRID Appliance Installer.
80	TCP	HTTP	Storage Nodes with ADC	AWS	Used for platform services messages sent to AWS or other external services that use HTTP. Tenants can override the default HTTP port setting of 80 when creating an endpoint.
80	TCP	HTTP	Storage Nodes	AWS	Cloud Storage Pools requests sent to AWS targets that use HTTP. Grid administrators can override the default HTTP port setting of 80 when configuring a Cloud Storage Pool.

Port	TCP or UDP	Protocol	From	To	Details
111	TCP/ UDP	RPCBind	NFS client	Admin Nodes	<p>Used by NFS-based audit export (portmap).</p> <p>Note: This port is required only if NFS-based audit export is enabled.</p> <p>Note: Support for NFS has been deprecated and will be removed in a future release.</p>
123	UDP	NTP	Primary NTP nodes	External NTP	<p>Network time protocol service. Nodes selected as primary NTP sources also synchronize clock times with the external NTP time sources.</p>
137	UDP	NetBIOS	SMB client	Admin Nodes	<p>Used by SMB-based audit export for clients that require NetBIOS support.</p> <p>Note: This port is required only if SMB-based audit export is enabled.</p>
138	UDP	NetBIOS	SMB client	Admin Nodes	<p>Used by SMB-based audit export for clients that require NetBIOS support.</p> <p>Note: This port is required only if SMB-based audit export is enabled.</p>
139	TCP	SMB	SMB client	Admin Nodes	<p>Used by SMB-based audit export for clients that require NetBIOS support.</p> <p>Note: This port is required only if SMB-based audit export is enabled.</p>
161	TCP/ UDP	SNMP	SNMP client	All nodes	<p>Used for SNMP polling. All nodes provide basic information; Admin Nodes also provide alert and alarm data. Defaults to UDP port 161 when configured.</p> <p>Note: This port is only required, and is only opened on the node firewall if SNMP is configured. If you plan to use SNMP, you can configure alternate ports.</p> <p>Note: For information about using SNMP with StorageGRID, contact your NetApp account representative.</p>

Port	TCP or UDP	Protocol	From	To	Details
162	TCP/ UDP	SNMP Notifications	All nodes	Notification destinations	<p>Outbound SNMP notifications and traps default to UDP port 162.</p> <p>Note: This port is only required if SNMP is enabled and notification destinations are configured. If you plan to use SNMP, you can configure alternate ports.</p> <p>Note: For information about using SNMP with StorageGRID, contact your NetApp account representative.</p>
389	TCP/ UDP	LDAP	Storage Nodes with ADC	Active Directory/LDAP	Used for connecting to an Active Directory or LDAP server for Identity Federation.
443	TCP	HTTPS	Browser	Admin Nodes	<p>Used by web browsers and management API clients for accessing the Grid Manager and Tenant Manager.</p> <p>Note: If you close Grid Manager ports 443 or 8443, any users currently connected on a blocked port, including you, will lose access to Grid Manager unless their IP address has been added to the Privileged address list. See Configure firewall controls to configure privileged IP addresses.</p>
443	TCP	HTTPS	Admin Nodes	Active Directory	Used by Admin Nodes connecting to Active Directory if single sign-on (SSO) is enabled.
443	TCP	HTTPS	Archive Nodes	Amazon S3	Used for accessing Amazon S3 from Archive Nodes.
443	TCP	HTTPS	Storage Nodes with ADC	AWS	Used for platform services messages sent to AWS or other external services that use HTTPS. Tenants can override the default HTTP port setting of 443 when creating an endpoint.
443	TCP	HTTPS	Storage Nodes	AWS	Cloud Storage Pools requests sent to AWS targets that use HTTPS. Grid administrators can override the default HTTPS port setting of 443 when configuring a Cloud Storage Pool.
445	TCP	SMB	SMB client	Admin Nodes	<p>Used by SMB-based audit export.</p> <p>Note: This port is required only if SMB-based audit export is enabled.</p>

Port	TCP or UDP	Protocol	From	To	Details
903	TCP	NFS	NFS client	Admin Nodes	Used by NFS-based audit export (<code>rpc.mountd</code>). Note: This port is required only if NFS-based audit export is enabled. Note: Support for NFS has been deprecated and will be removed in a future release.
2022	TCP	SSH	Service laptop	All nodes	SSH or console access is required for procedures with console steps. Optionally, you can use port 22 instead of 2022.
2049	TCP	NFS	NFS client	Admin Nodes	Used by NFS-based audit export (<code>nfs</code>). Note: This port is required only if NFS-based audit export is enabled. Note: Support for NFS has been deprecated and will be removed in a future release.
5353	UDP	mDNS	All nodes	All nodes	Provides the multicast DNS (mDNS) service that is used for full-grid IP changes and for primary Admin Node discovery during installation, expansion, and recovery.
5696	TCP	KMIP	Appliance	KMS	Key Management Interoperability Protocol (KMIP) external traffic from appliances configured for node encryption to the Key Management Server (KMS), unless a different port is specified on the KMS configuration page of the StorageGRID Appliance Installer.
8022	TCP	SSH	Service laptop	All nodes	SSH on port 8022 grants access to the base operating system on appliance and virtual node platforms for support and troubleshooting. This port is not used for Linux-based (bare metal) nodes and is not required to be accessible between grid nodes or during normal operations.

Port	TCP or UDP	Protocol	From	To	Details
8443	TCP	HTTPS	Browser	Admin Nodes	<p>Optional. Used by web browsers and management API clients for accessing the Grid Manager. Can be used to separate Grid Manager and Tenant Manager communications.</p> <p>Note: If you close Grid Manager ports 443 or 8443, any users currently connected on a blocked port, including you, will lose access to Grid Manager unless their IP address has been added to the Privileged address list. See Configure firewall controls to configure privileged IP addresses.</p>
9022	TCP	SSH	Service laptop	Appliances	Grants access to StorageGRID appliances in pre-configuration mode for support and troubleshooting. This port is not required to be accessible between grid nodes or during normal operations.
9091	TCP	HTTPS	External Grafana service	Admin Nodes	<p>Used by external Grafana services for secure access to the StorageGRID Prometheus service.</p> <p>Note: This port is required only if certificate-based Prometheus access is enabled.</p>
9092	TCP	Kafka	Storage Nodes with ADC	Kafka cluster	Used for platform services messages sent to a Kafka cluster. Tenants can override the default Kafka port setting of 9092 when creating an endpoint.
9443	TCP	HTTPS	Browser	Admin Nodes	Optional. Used by web browsers and management API clients for accessing the Tenant Manager. Can be used to separate Grid Manager and Tenant Manager communications.
18082	TCP	HTTPS	S3 clients	Storage Nodes	S3 client traffic directly to Storage Nodes (HTTPS).
18083	TCP	HTTPS	Swift clients	Storage Nodes	Swift client traffic directly to Storage Nodes (HTTPS).
18084	TCP	HTTP	S3 clients	Storage Nodes	S3 client traffic directly to Storage Nodes (HTTP).
18085	TCP	HTTP	Swift clients	Storage Nodes	Swift client traffic directly to Storage Nodes (HTTP).

Port	TCP or UDP	Protocol	From	To	Details
23000-23999	TCP	HTTPS	All nodes on the source grid for cross-grid replication	Admin Nodes and Gateway Nodes on the destination grid for cross-grid replication	This range of ports is reserved for grid federation connections. Both grids in a given connection use the same port.

Quick start for StorageGRID

Follow these high-level steps to configure and use any StorageGRID system.

1

Learn, plan, and collect data

Work with your NetApp account representative to understand the options and to plan your new StorageGRID system. Consider these types of questions:

- How much object data do you expect to store initially and over time?
- How many sites do you need?
- How many and what types of nodes do you need at each site?
- Which StorageGRID networks will you use?
- Who will use your grid to store objects? Which applications will they use?
- Do you have any special security or storage requirements?
- Do you need to comply with any legal or regulatory requirements?

Optionally, work with your NetApp Professional Services consultant to access the NetApp ConfigBuilder tool to complete a configuration workbook for use when installing and deploying your new system. You can also use this tool to help automate the configuration of any StorageGRID appliance. See [Automate appliance installation and configuration](#).

Review [Learn about StorageGRID](#) and the [Networking guidelines](#).

2

Install nodes

A StorageGRID system consists of individual hardware-based and software-based nodes. You first install the hardware for each appliance node and configure each Linux or VMware host.

To complete the installation, you install StorageGRID software on each appliance or software host and connect the nodes into a grid. During this step, you provide site and node names, subnet details, and the IP addresses for your NTP and DNS servers.

Learn how:

- [Install appliance hardware](#)
- [Install StorageGRID on Red Hat Enterprise Linux](#)
- [Install StorageGRID on Ubuntu or Debian](#)
- [Install StorageGRID on VMware](#)

3

Sign in and check system health

As soon as you install the primary Admin Node, you can sign in to the Grid Manager. From there, you can review the general health of your new system, enable AutoSupport and alert emails, and set up S3 endpoint domain names.

Learn how:

- [Sign in to the Grid Manager](#)
- [Monitor system health](#)
- [Configure AutoSupport](#)
- [Set up email notifications for alerts](#)
- [Configure S3 endpoint domain names](#)

4

Configure and manage

The configuration tasks you need to perform for a new StorageGRID system depend on how you will use your grid. At a minimum, you set up system access; use the FabricPool and S3 wizards; and manage various storage and security settings.

Learn how:

- [Control StorageGRID access](#)
- [Use S3 setup wizard](#)
- [Use FabricPool setup wizard](#)
- [Manage security](#)
- [System hardening](#)

5

Set up ILM

You control the placement and duration of every object in your StorageGRID system by configuring an information lifecycle management (ILM) policy that consists of one or more ILM rules. The ILM rules instruct StorageGRID how to create and distribute copies of object data and how to manage those copies over time.

Learn how: [Manage objects with ILM](#)

6

Use StorageGRID

After the initial configuration is complete, StorageGRID tenant accounts can use S3 and Swift client applications to ingest, retrieve, and delete objects.

Learn how:

- [Use a tenant account](#)
- [Use the S3 REST API](#)
- [Use the Swift REST API](#)

7

Monitor and troubleshoot

When your system is up and running, you should monitor its activities on a regular basis and troubleshoot and resolve any alerts. You might also want to configure an external syslog server, use SNMP monitoring, or collect additional data.

Learn how:

- [Monitor StorageGRID](#)
- [Troubleshoot StorageGRID](#)

8

Expand, maintain, and recover

You can add nodes or sites to expand the capacity or functionality of your system. You can also perform various maintenance procedures to recover from failures or to keep your StorageGRID system up-to-date and performing efficiently.

Learn how:

- [Expand a grid](#)
- [Maintain your grid](#)
- [Recover nodes](#)

Copyright information

Copyright © 2024 NetApp, Inc. All Rights Reserved. Printed in the U.S. No part of this document covered by copyright may be reproduced in any form or by any means—graphic, electronic, or mechanical, including photocopying, recording, taping, or storage in an electronic retrieval system—without prior written permission of the copyright owner.

Software derived from copyrighted NetApp material is subject to the following license and disclaimer:

THIS SOFTWARE IS PROVIDED BY NETAPP “AS IS” AND WITHOUT ANY EXPRESS OR IMPLIED WARRANTIES, INCLUDING, BUT NOT LIMITED TO, THE IMPLIED WARRANTIES OF MERCHANTABILITY AND FITNESS FOR A PARTICULAR PURPOSE, WHICH ARE HEREBY DISCLAIMED. IN NO EVENT SHALL NETAPP BE LIABLE FOR ANY DIRECT, INDIRECT, INCIDENTAL, SPECIAL, EXEMPLARY, OR CONSEQUENTIAL DAMAGES (INCLUDING, BUT NOT LIMITED TO, PROCUREMENT OF SUBSTITUTE GOODS OR SERVICES; LOSS OF USE, DATA, OR PROFITS; OR BUSINESS INTERRUPTION) HOWEVER CAUSED AND ON ANY THEORY OF LIABILITY, WHETHER IN CONTRACT, STRICT LIABILITY, OR TORT (INCLUDING NEGLIGENCE OR OTHERWISE) ARISING IN ANY WAY OUT OF THE USE OF THIS SOFTWARE, EVEN IF ADVISED OF THE POSSIBILITY OF SUCH DAMAGE.

NetApp reserves the right to change any products described herein at any time, and without notice. NetApp assumes no responsibility or liability arising from the use of products described herein, except as expressly agreed to in writing by NetApp. The use or purchase of this product does not convey a license under any patent rights, trademark rights, or any other intellectual property rights of NetApp.

The product described in this manual may be protected by one or more U.S. patents, foreign patents, or pending applications.

LIMITED RIGHTS LEGEND: Use, duplication, or disclosure by the government is subject to restrictions as set forth in subparagraph (b)(3) of the Rights in Technical Data -Noncommercial Items at DFARS 252.227-7013 (FEB 2014) and FAR 52.227-19 (DEC 2007).

Data contained herein pertains to a commercial product and/or commercial service (as defined in FAR 2.101) and is proprietary to NetApp, Inc. All NetApp technical data and computer software provided under this Agreement is commercial in nature and developed solely at private expense. The U.S. Government has a non-exclusive, non-transferrable, nonsublicensable, worldwide, limited irrevocable license to use the Data only in connection with and in support of the U.S. Government contract under which the Data was delivered. Except as provided herein, the Data may not be used, disclosed, reproduced, modified, performed, or displayed without the prior written approval of NetApp, Inc. United States Government license rights for the Department of Defense are limited to those rights identified in DFARS clause 252.227-7015(b) (FEB 2014).

Trademark information

NETAPP, the NETAPP logo, and the marks listed at <http://www.netapp.com/TM> are trademarks of NetApp, Inc. Other company and product names may be trademarks of their respective owners.