



SG6100

StorageGRID Appliances

NetApp
June 13, 2024

Table of Contents

- SG6100 1
- Install 60-drive shelves (SG6160) 1
- Install into cabinet or rack (SGF6112) 4
- Install SG6100-CN controller (SG6160) 5

SG6100

Install 60-drive shelves (SG6160)

You install a set of rails for the E4000 controller shelf in your cabinet or rack, and then slide the controller shelf onto the rails. If you are installing 60-drive expansion shelves, the same procedure applies.

Before you begin

- You have reviewed the [Safety Notices](#) document included in the box, and understand the precautions for moving and installing hardware.
- You have the instructions packaged with the rail kit.



To avoid damaging the hardware, never move the shelf if drives are installed. You must remove all drives before moving the shelf.



When installing the E4000 controller shelf or optional expansion shelves, install hardware from the bottom to the top of the rack or cabinet to prevent the equipment from tipping over. To ensure that the heaviest equipment is at the bottom of the cabinet or rack, install the SG6100-CN controller above the E4000 controller shelf and expansion shelves.



Before committing to the installation, verify that the cables shipped with the appliance, or cables that you supply, are long enough for the planned layout.

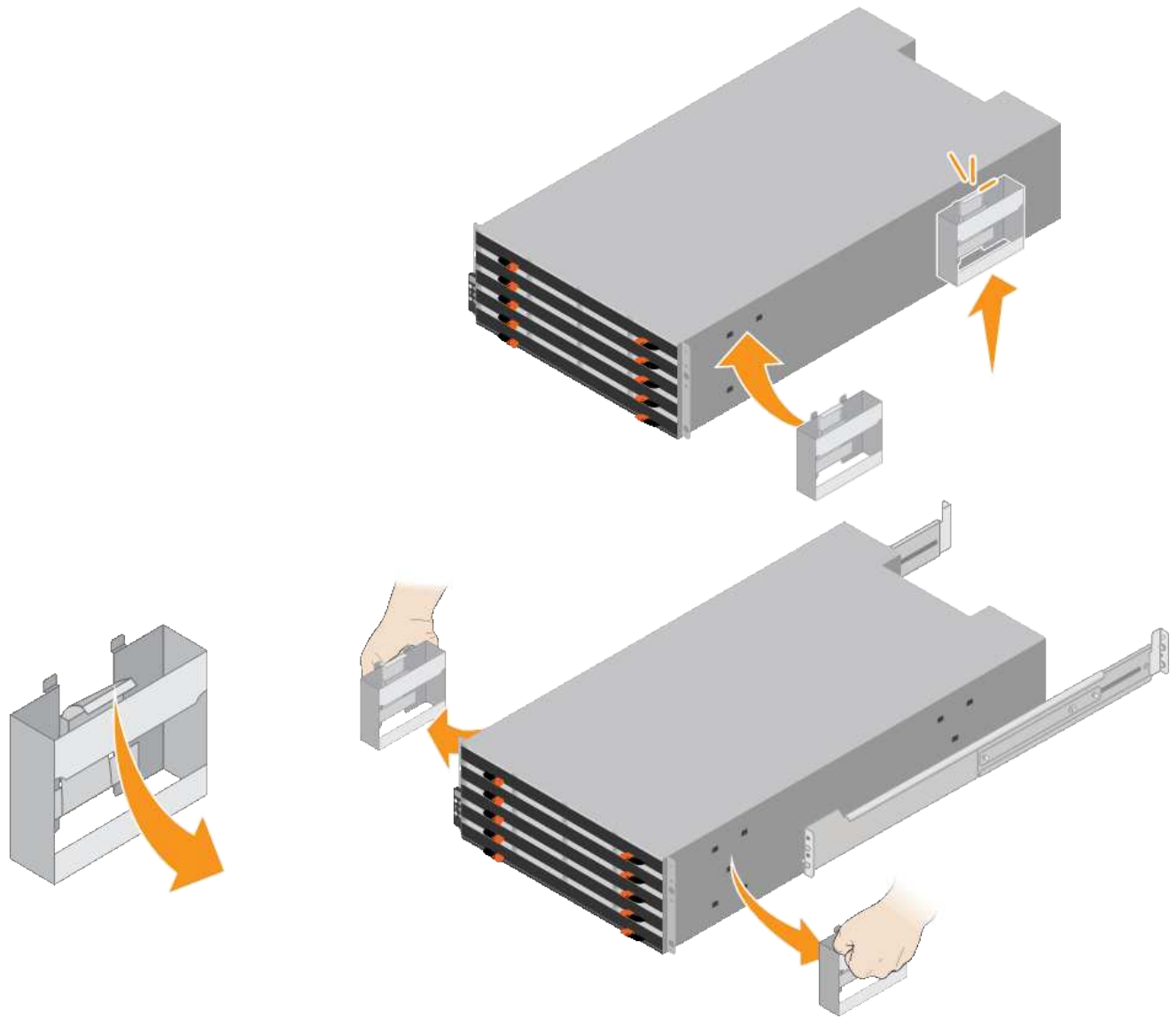
Steps

1. Carefully follow the instructions for the rail kit to install the rails in your cabinet or rack.

For square hole cabinets, first install the provided cage nuts to secure the front and rear of the shelf with screws.

2. Remove the outer packing box for the appliance. Then, fold down the flaps on the inner box.
3. If you are lifting the appliance by hand, attach the four handles to the sides of the chassis.

Push up on each handle until it clicks into place.



4. Place the back of the shelf (the end with the connectors) on the rails.
5. Supporting the shelf from the bottom, slide it into the cabinet. If you are using the handles, use the thumb latches to detach one handle at a time as you slide the shelf in.

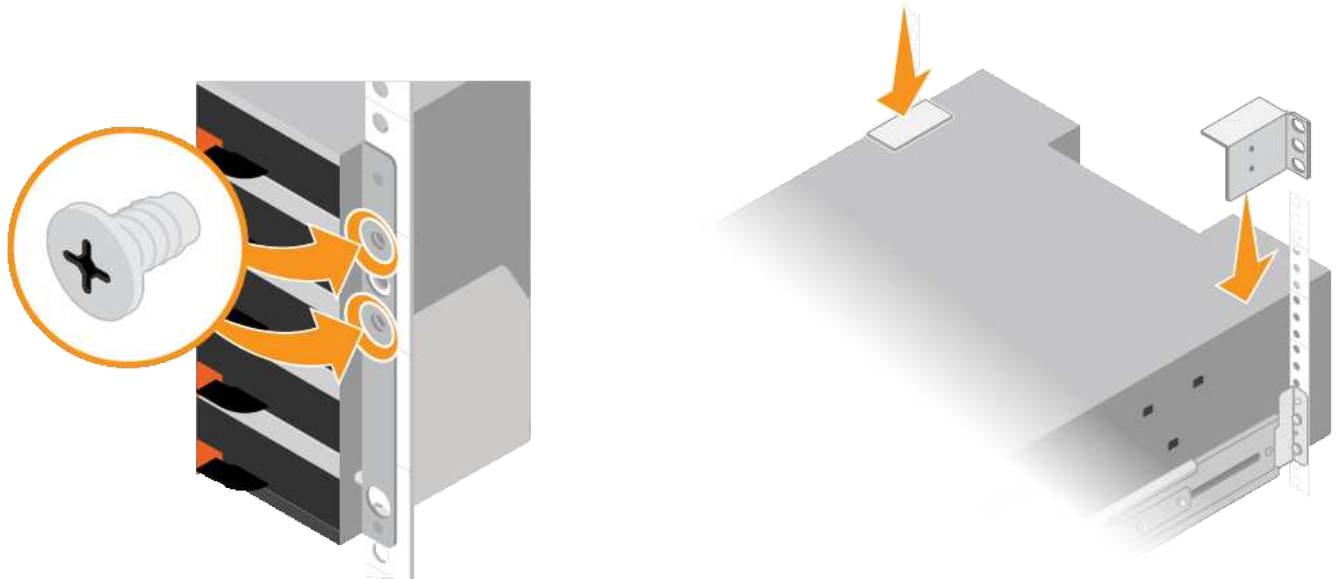
To remove the handles, pull back on the release latch, push down, then pull away from the shelf.

6. Secure the shelf to the front of the cabinet.

Insert screws into the first and third holes from the top of the shelf on both sides.

7. Secure the shelf to the rear of the cabinet.

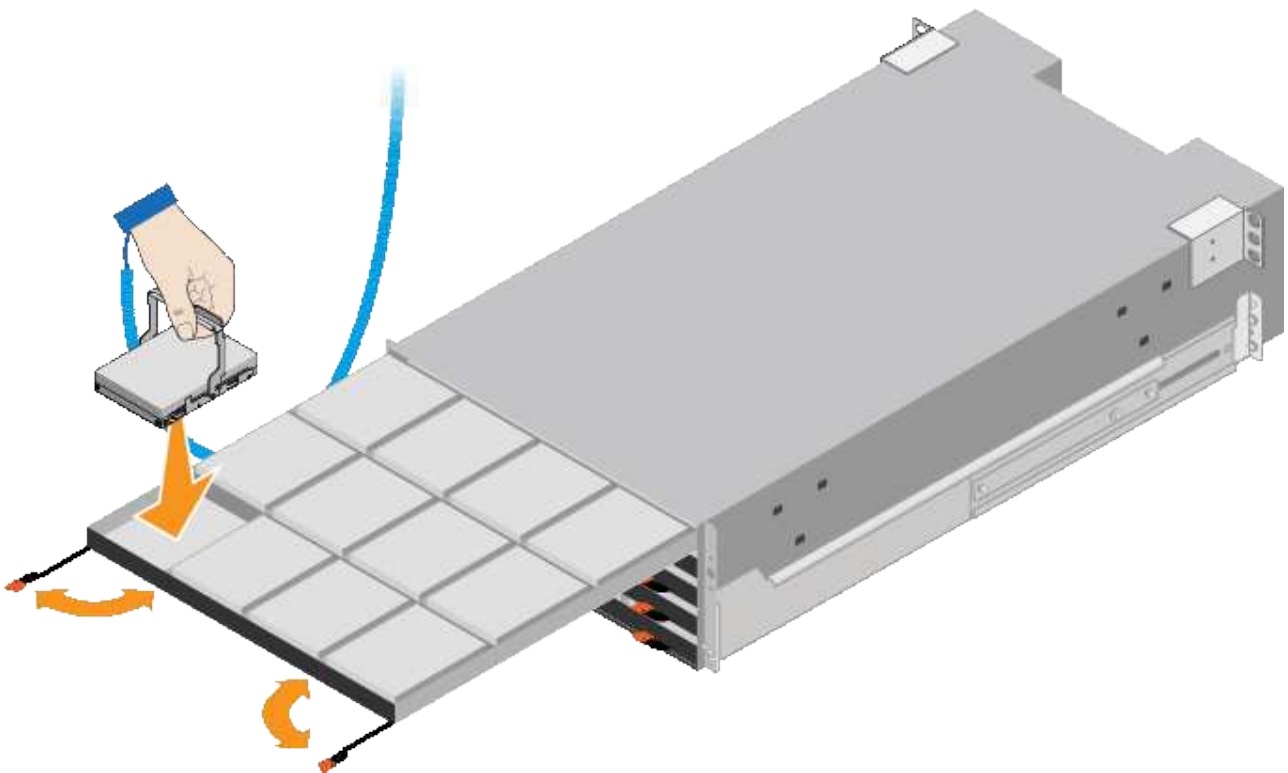
Place two back brackets on each side of the upper rear section of the shelf. Insert screws into the first and third holes of each bracket.



8. Repeat these steps for any expansion shelves.

9. Install 12 NL-SAS drives in each of the five drive drawers.

- a. Wrap the strap end of the ESD wristband around your wrist, and secure the clip end to a metal ground to prevent static discharge.
- b. Release the levers on the top drive drawer, and slide the drawer out using the levers.
- c. Raise each drive handle to a vertical position.
- d. Gently position each drive into its slot, and lower the raised drive handle until it clicks into place.



e. Install 12 NL-SAS drives into the top drawer.

f. Slide the drawer back in by pushing on the center and closing both levers gently.



Stop pushing the drawer if you feel binding. Use the release levers at the front of the drawer to slide the drawer back out. Then, carefully reinsert the drawer into the slot.

g. Repeat these steps to install NL-SAS drives into the other four drawers.



You must install all 60 drives to ensure correct operation.

h. Attach the front bezel to the shelf, if one was provided.

10. If you have expansion shelves, repeat these steps to install 12 NL-SAS drives into each drawer of each expansion shelf.

11. Proceed to the instructions for installing the SG6100-CN into a cabinet or rack.

Install into cabinet or rack (SGF6112)

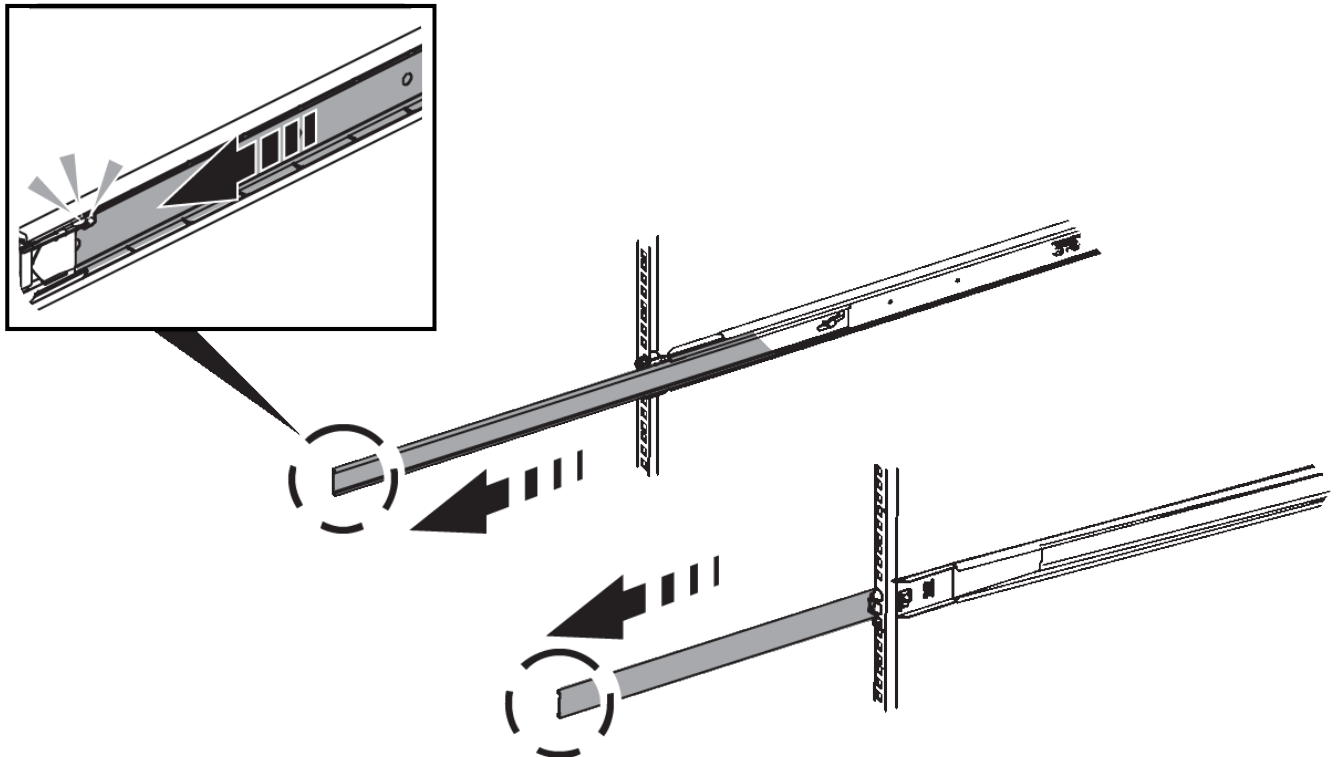
You install a set of rails for the appliance in your cabinet or rack, and then slide the appliance onto the rails.

Before you begin

- You have reviewed the Safety Notices document included in the box and understand the precautions for moving and installing hardware.
- You have the instructions packaged with the rail kit.

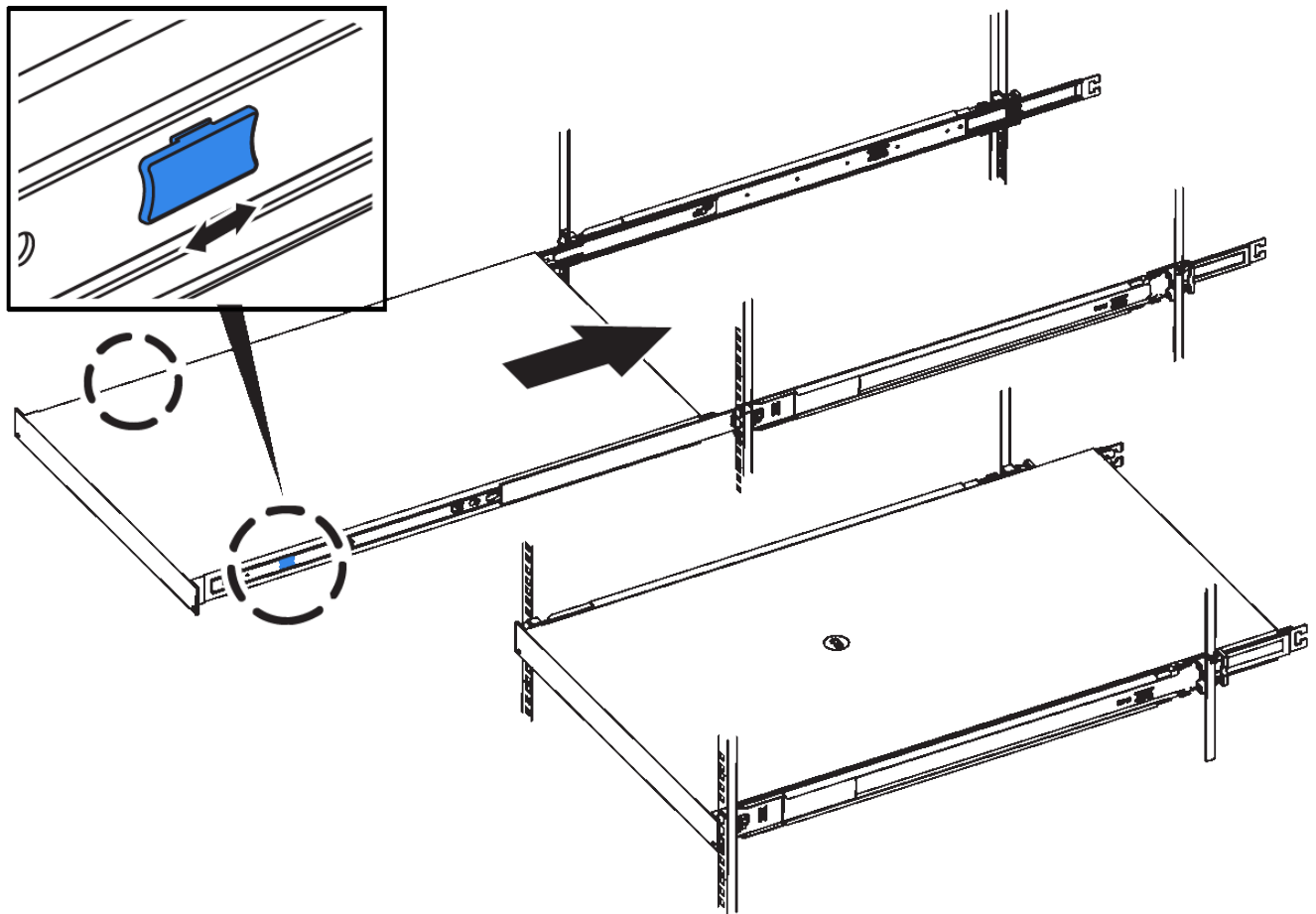
Steps

1. Carefully follow the instructions for the rail kit to install the rails in your cabinet or rack.
2. On the two rails installed in the cabinet or rack, extend the movable parts of the rails until you hear a click.



3. Insert the appliance into the rails.
4. Slide the appliance into the cabinet or rack.

When you can't move the appliance any further, pull the blue latches on both sides of the chassis to slide the appliance all the way in.



5. Tighten the captive screws on the appliance front panel to secure the appliance in the rack.



Don't attach the front bezel until after you power on the appliance.

Install SG6100-CN controller (SG6160)

You install a set of rails for the SG6100-CN controller in your cabinet or rack, and then slide the controller onto the rails.

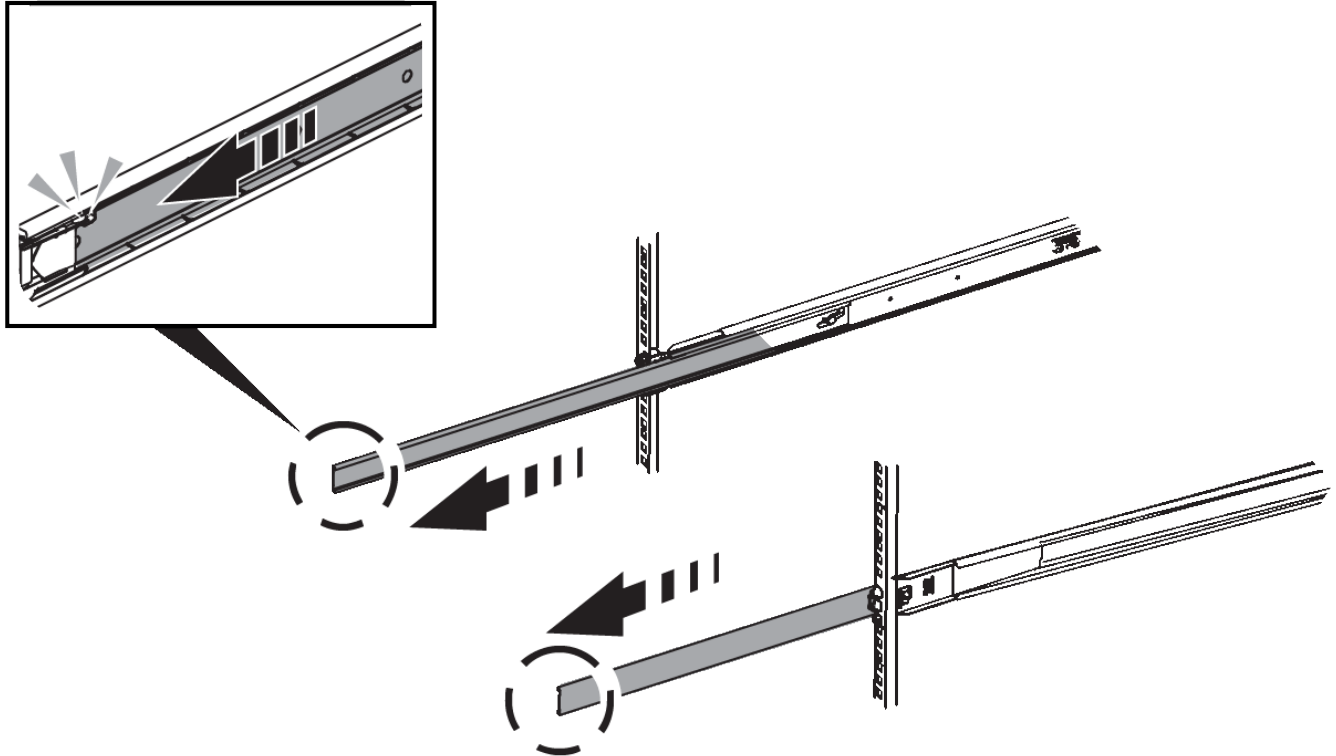
Before you begin

- You have reviewed the Safety Notices document included in the box, and understand the precautions for moving and installing hardware.

- You have the instructions packaged with the rail kit.
- You have installed the E4000 controller shelf and drives.

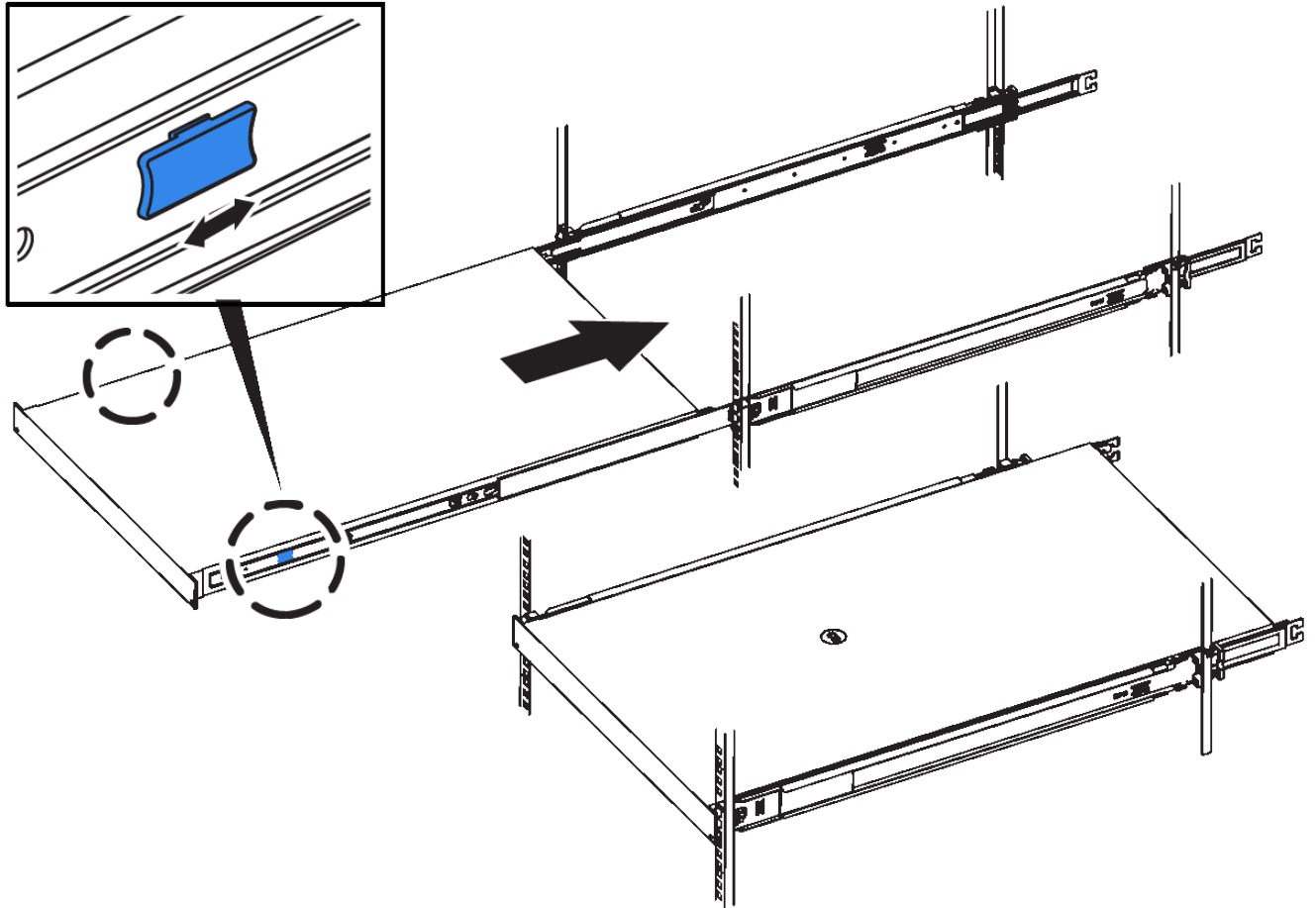
Steps

1. Carefully follow the instructions for the rail kit to install the rails in your cabinet or rack.
2. On the two rails installed in the cabinet or rack, extend the movable parts of the rails until you hear a click.



3. Insert the SG6100-CN controller into the rails.
4. Slide the controller into the cabinet or rack.

When you can't move the controller any further, pull the blue latches on both sides of the chassis to slide the controller all the way in.



Don't attach the front bezel until after you power on the controller.

5. Tighten the captive screws on the controller front panel to secure the controller in the rack.



Copyright information

Copyright © 2024 NetApp, Inc. All Rights Reserved. Printed in the U.S. No part of this document covered by copyright may be reproduced in any form or by any means—graphic, electronic, or mechanical, including photocopying, recording, taping, or storage in an electronic retrieval system—without prior written permission of the copyright owner.

Software derived from copyrighted NetApp material is subject to the following license and disclaimer:

THIS SOFTWARE IS PROVIDED BY NETAPP “AS IS” AND WITHOUT ANY EXPRESS OR IMPLIED WARRANTIES, INCLUDING, BUT NOT LIMITED TO, THE IMPLIED WARRANTIES OF MERCHANTABILITY AND FITNESS FOR A PARTICULAR PURPOSE, WHICH ARE HEREBY DISCLAIMED. IN NO EVENT SHALL NETAPP BE LIABLE FOR ANY DIRECT, INDIRECT, INCIDENTAL, SPECIAL, EXEMPLARY, OR CONSEQUENTIAL DAMAGES (INCLUDING, BUT NOT LIMITED TO, PROCUREMENT OF SUBSTITUTE GOODS OR SERVICES; LOSS OF USE, DATA, OR PROFITS; OR BUSINESS INTERRUPTION) HOWEVER CAUSED AND ON ANY THEORY OF LIABILITY, WHETHER IN CONTRACT, STRICT LIABILITY, OR TORT (INCLUDING NEGLIGENCE OR OTHERWISE) ARISING IN ANY WAY OUT OF THE USE OF THIS SOFTWARE, EVEN IF ADVISED OF THE POSSIBILITY OF SUCH DAMAGE.

NetApp reserves the right to change any products described herein at any time, and without notice. NetApp assumes no responsibility or liability arising from the use of products described herein, except as expressly agreed to in writing by NetApp. The use or purchase of this product does not convey a license under any patent rights, trademark rights, or any other intellectual property rights of NetApp.

The product described in this manual may be protected by one or more U.S. patents, foreign patents, or pending applications.

LIMITED RIGHTS LEGEND: Use, duplication, or disclosure by the government is subject to restrictions as set forth in subparagraph (b)(3) of the Rights in Technical Data -Noncommercial Items at DFARS 252.227-7013 (FEB 2014) and FAR 52.227-19 (DEC 2007).

Data contained herein pertains to a commercial product and/or commercial service (as defined in FAR 2.101) and is proprietary to NetApp, Inc. All NetApp technical data and computer software provided under this Agreement is commercial in nature and developed solely at private expense. The U.S. Government has a non-exclusive, non-transferrable, nonsublicensable, worldwide, limited irrevocable license to use the Data only in connection with and in support of the U.S. Government contract under which the Data was delivered. Except as provided herein, the Data may not be used, disclosed, reproduced, modified, performed, or displayed without the prior written approval of NetApp, Inc. United States Government license rights for the Department of Defense are limited to those rights identified in DFARS clause 252.227-7015(b) (FEB 2014).

Trademark information

NETAPP, the NETAPP logo, and the marks listed at <http://www.netapp.com/TM> are trademarks of NetApp, Inc. Other company and product names may be trademarks of their respective owners.