



升级到新的 Brocade FC 交换机 ONTAP MetroCluster

Ivana Devine, Megan Bock, Ranu Kundu
July 27, 2021



升级到新的 Brocade FC 交换机 1

升级到新的 Brocade FC 交换机

如果要升级到新的 Brocade FC 交换机，必须先更改第一个网络中的交换机，然后更改第二个网络中的交换机。

- MetroCluster 配置必须运行正常。
- MetroCluster 交换机网络由四个 Brocade 交换机组成。

以下图中的图例显示了当前交换机。

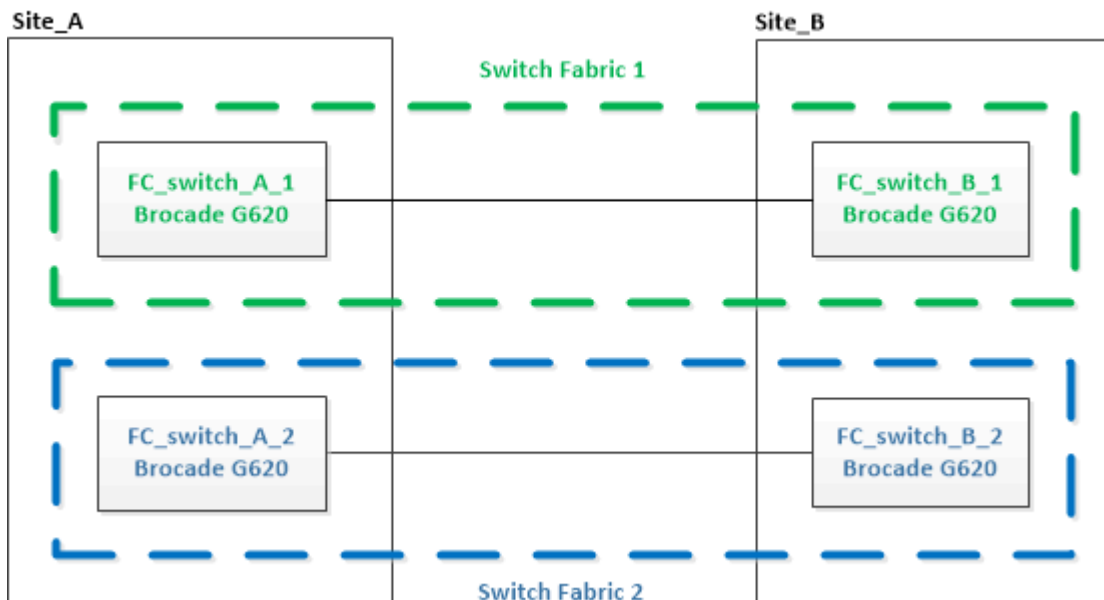
- 交换机必须运行最新支持的固件。

"NetApp 互操作性表工具"

- 此操作不会造成系统中断，大约需要一小时才能完成。
- 需要管理密码以及 FTP 或 SCP 服务器的访问权限。

交换机网络一次升级一个。

此操作结束时，所有四个交换机都将升级到新交换机。

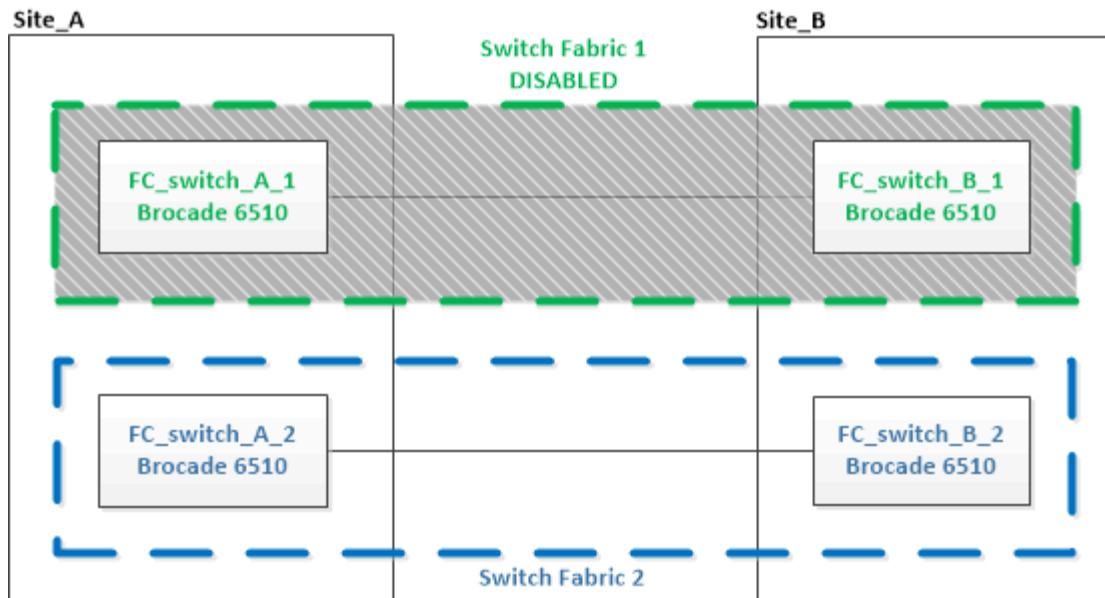


□□

1. 禁用第一个交换机网络：

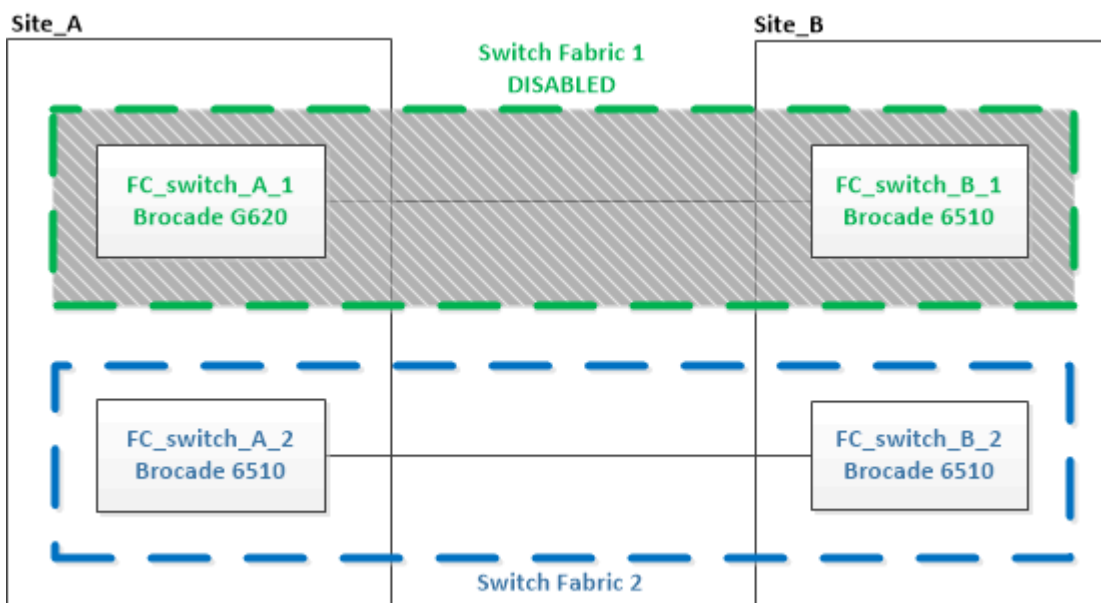
```
` * FC_switch_A_1 : admin> switchCfgPersistentDisable`
```

```
FC_switch_A_1:admin> switchCfgPersistentDisable
```



2. 更换一个 MetroCluster 站点上的旧交换机。

- a. 拔下已禁用交换机的网口并将其卸下。
- b. 在机架中安装新交换机。



c. 禁用新交换机：+ ` * switchCfgPersistentDisable`

命令将禁用交换机网络中的每个交换机。

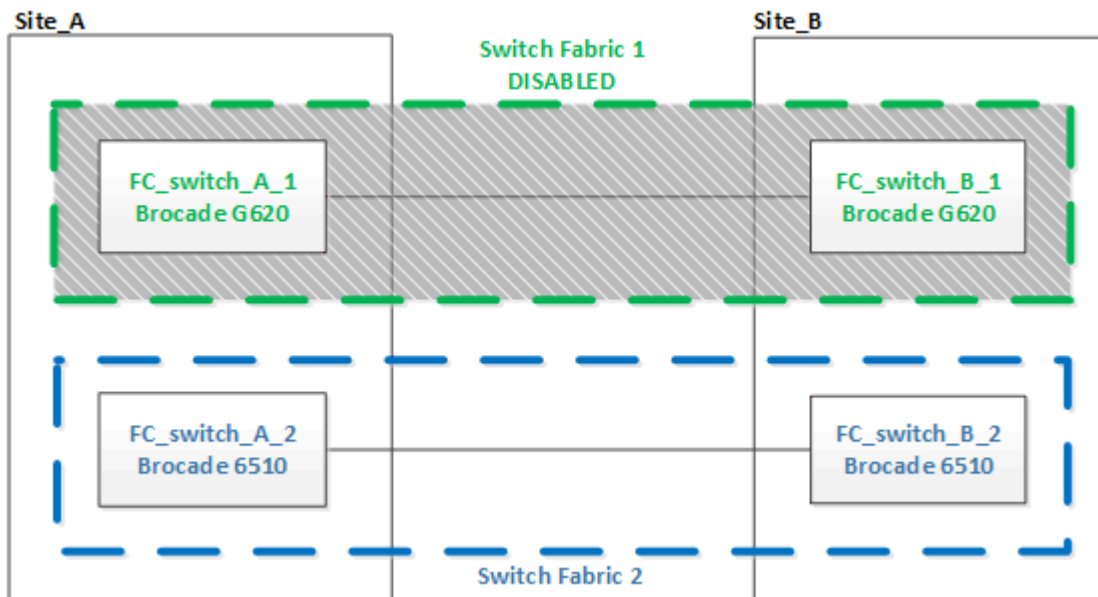
```
FC_switch_A_1:admin> switchCfgPersistentDisable
```

d. 使用建立的端口分配新交换机配置。

[使用 ONTAP 9.0 的 FC 交换机的端口分配](#)

使用 ONTAP 9.1 及更高版本 FC 交换机的端口分配

- e. 在配置 MetroCluster 站点上重新配置这些子网，以更改第一个交换机网络中的第二个交换机。
已更改网络 1 中的两个交换机。



3. 配置新交换机并使其启动。
4. 下载新交换机的 RCF 文件。
5. 按照下面页面上的说明，将 RCF 文件用于网络中的两个新交换机。
6. 保存交换机配置：

```
` * cfgSave`
```

7. 等待 10 分钟，使配置保持稳定。
8. 在任意一个 MetroCluster 站点上输入以下命令，以验证与磁碟的连接：

```
` * 在本地 sysconfig -v`
```

输出显示了连接到控制器上每个程序端口的磁碟，并验证了连接到 FC-SAS 网络的磁碟架：

```
node_A_1> run local sysconfig -v
NetApp Release 9.3.2X18: Sun Dec 13 01:23:24 PST 2017
System ID: 4068741258 (node_A_1); partner ID: 4068741260 (node_B_1)
System Serial Number: 940001025471 (node_A_1)
System Rev: 70
System Storage Configuration: Multi-Path HA**<=== Configuration should
be multi-path HA**
.
.
.
slot 0: FC Host Adapter 0g (QLogic 8324 rev. 2, N-port, <UP>)**<===
```

```

Initiator port**
    Firmware rev:      7.5.0
    Flash rev:         0.0.0
    Host Port Id:      0x60130
    FC Node Name:      5:00a:098201:bae312
    FC Port Name:      5:00a:098201:bae312
    SFP Vendor:        UTILITIES CORP.
    SFP Part Number:   FTLF8529P3BCVAN1
    SFP Serial Number: URQ0Q9R
    SFP Capabilities:  4, 8 or 16 Gbit
    Link Data Rate:    16 Gbit
    Switch Port:       brcd6505-fcs40:1
**<List of disks visible to port\>**
    ID      Vendor  Model          FW      Size
brcd6505-fcs29:12.126L1527  : NETAPP  X302_HJUPI01TSSM NA04
847.5GB (1953525168 512B/sect)
brcd6505-fcs29:12.126L1528  : NETAPP  X302_HJUPI01TSSA NA02
847.5GB (1953525168 512B/sect)
.
.
.
**<List of FC-to-SAS bridges visible to port\>**
FC-to-SAS Bridge:
brcd6505-fcs40:12.126L0      : ATTO    FibreBridge6500N 1.61
FB6500N102980
brcd6505-fcs42:13.126L0      : ATTO    FibreBridge6500N 1.61
FB6500N102980
brcd6505-fcs42:6.126L0       : ATTO    FibreBridge6500N 1.61
FB6500N101167
brcd6505-fcs42:7.126L0       : ATTO    FibreBridge6500N 1.61
FB6500N102974
.
.
.
**<List of storage shelves visible to port\>**
brcd6505-fcs40:12.shelf6: DS4243  Firmware rev. IOM3 A: 0200
IOM3 B: 0200
brcd6505-fcs40:12.shelf8: DS4243  Firmware rev. IOM3 A: 0200
IOM3 B: 0200
.
.
.

```

9. 返回到交换机提示符, 交换机固件版本:

`* 固件`

交换机必须运行最新支持的固件。

"NetApp 互操作性表工具"

10. 模式切换操作：

- a. 在任何点的提示符，更改高权限：`+`* 置 -privilege advanced``

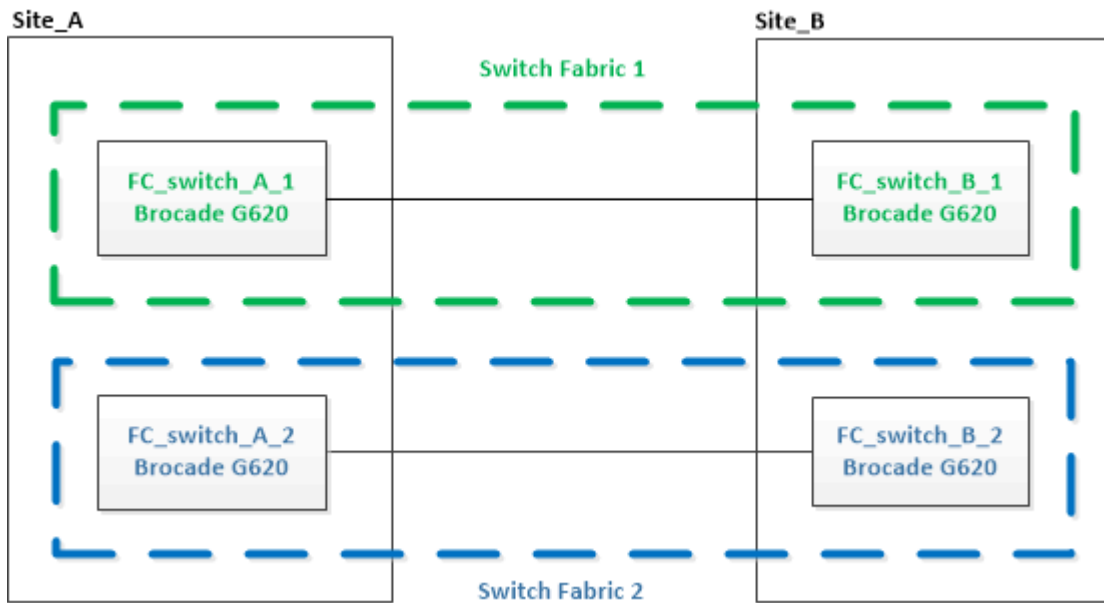
当系统提示输入高模式并显示高模式提示符（*>），需要使用`*y`行。

- b. 使用`-simulate`参数行切换操作：`+`* MetroCluster switchover -simulate``

- c. 返回到管理权限：`+`* 置 -privilege admin``

11. 第二个交换机网重启上述。

重启行些后，所有四个交换机均已升，并且 MetroCluster 配置行正常。



Copyright Information

Copyright © 2021 NetApp, Inc. All rights reserved. Printed in the U.S. No part of this document covered by copyright may be reproduced in any form or by any means-graphic, electronic, or mechanical, including photocopying, recording, taping, or storage in an electronic retrieval system- without prior written permission of the copyright owner.

Software derived from copyrighted NetApp material is subject to the following license and disclaimer:

THIS SOFTWARE IS PROVIDED BY NETAPP "AS IS" AND WITHOUT ANY EXPRESS OR IMPLIED WARRANTIES, INCLUDING, BUT NOT LIMITED TO, THE IMPLIED WARRANTIES OF MERCHANTABILITY AND FITNESS FOR A PARTICULAR PURPOSE, WHICH ARE HEREBY DISCLAIMED. IN NO EVENT SHALL NETAPP BE LIABLE FOR ANY DIRECT, INDIRECT, INCIDENTAL, SPECIAL, EXEMPLARY, OR CONSEQUENTIAL DAMAGES (INCLUDING, BUT NOT LIMITED TO, PROCUREMENT OF SUBSTITUTE GOODS OR SERVICES; LOSS OF USE, DATA, OR PROFITS; OR BUSINESS INTERRUPTION) HOWEVER CAUSED AND ON ANY THEORY OF LIABILITY, WHETHER IN CONTRACT, STRICT LIABILITY, OR TORT (INCLUDING NEGLIGENCE OR OTHERWISE) ARISING IN ANY WAY OUT OF THE USE OF THIS SOFTWARE, EVEN IF ADVISED OF THE POSSIBILITY OF SUCH DAMAGE.

NetApp reserves the right to change any products described herein at any time, and without notice. NetApp assumes no responsibility or liability arising from the use of products described herein, except as expressly agreed to in writing by NetApp. The use or purchase of this product does not convey a license under any patent rights, trademark rights, or any other intellectual property rights of NetApp.

The product described in this manual may be protected by one or more U.S. patents, foreign patents, or pending applications.

RESTRICTED RIGHTS LEGEND: Use, duplication, or disclosure by the government is subject to restrictions as set forth in subparagraph (c)(1)(ii) of the Rights in Technical Data and Computer Software clause at DFARS 252.277-7103 (October 1988) and FAR 52-227-19 (June 1987).

Trademark Information

NETAPP, the NETAPP logo, and the marks listed at <http://www.netapp.com/TM> are trademarks of NetApp, Inc. Other company and product names may be trademarks of their respective owners.